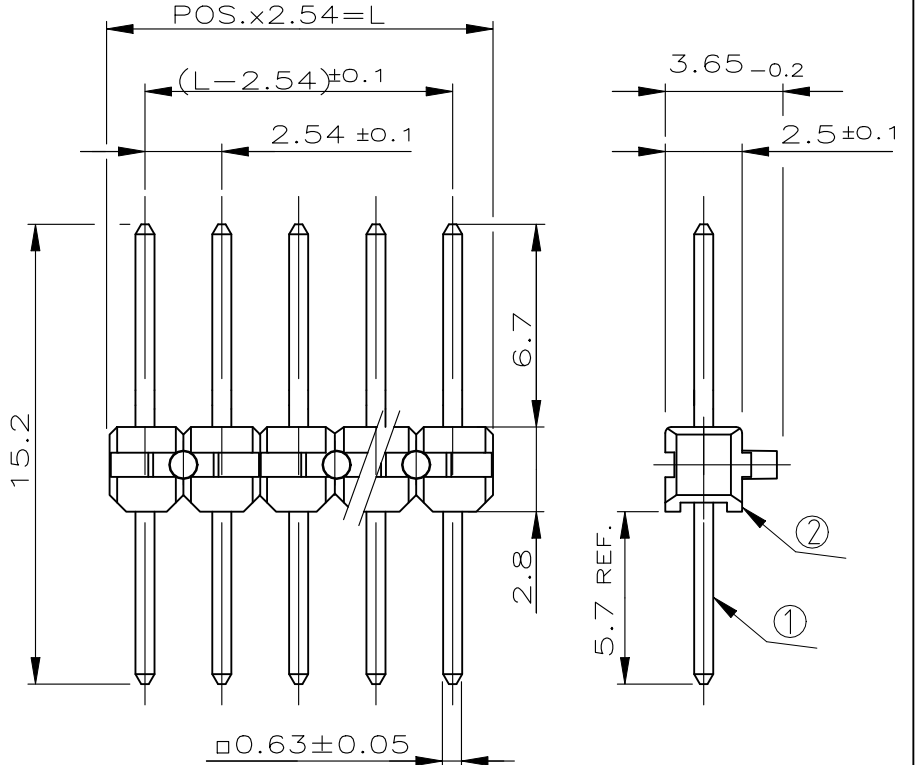


REVISIONS					
P	LTR	DESCRIPTION	DATE	DWN	APVD
	F	RESIN SUPPLIER CHANGE FOR THE HOUSING	17MAY2022	SCB	PS

POS.	L±0.5	PART NUMBER
-	-	-
2	5.08	827312 -2
3	7.62	<del>3</del>
4	10.16	<del>4</del>
5	12.70	<del>5</del>
6	15.24	<del>6</del>
7	17.78	<del>7</del>
8	20.32	<del>8</del>
9	22.86	<del>9</del>
10	25.40	1- -0
11	27.94	1- -1
12	30.48	1- -2
13	33.02	1- -3
14	35.56	1- -4
15	38.10	1- -5
16	40.64	1- -6
17	43.18	1- -7
18	45.72	1- -8
19	48.26	1- -9
20	50.80	2- -0
21	53.34	2- <del>1</del> ⚠
22	55.88	2- <del>2</del> ⚠
23	58.42	2- <del>3</del> ⚠
24	60.96	2- <del>4</del> ⚠
25	63.50	2- <del>5</del> ⚠
26	66.04	2- <del>6</del> ⚠
27	68.58	2- <del>7</del> ⚠
28	71.12	2- <del>8</del> ⚠
29	73.66	2- <del>9</del> ⚠
30	76.20	3- <del>0</del> ⚠
31	78.74	3- <del>1</del> ⚠
32	81.28	3- <del>2</del> ⚠
33	83.82	3- <del>3</del> ⚠
34	86.36	3- <del>4</del> ⚠
35	88.90	3- <del>5</del> ⚠
36	91.44	3- <del>6</del> ⚠
37	93.98	3- <del>7</del> ⚠
38	96.52	3- <del>8</del> ⚠
39	99.06	3- <del>9</del> ⚠
40	101.60	4- <del>0</del> ⚠
41	104.14	4- <del>1</del> ⚠
42	106.68	4- <del>2</del> ⚠
43	109.22	4- <del>3</del> ⚠
44	111.76	4- <del>4</del> ⚠
45	114.30	4- <del>5</del> ⚠
46	116.84	4- <del>6</del> ⚠
47	119.38	4- <del>7</del> ⚠
48	121.92	4- <del>8</del> ⚠
49	124.46	4- <del>9</del> ⚠
50	127.00	5- 827312 -0



NOTES:

- ⚠ 1 MIN. 3µm TIN OVER 1.27µm NICKEL
- ⚠ 2 OBSOLETE

PIN HOUSING	PCT	BLACK	2
CONTACT PIN	CuZn	⚠ 1	1
DESCRIPTION	MATERIAL	COLOR/FINISH	ITEM NUM

TE Connectivity. All Rights Reserved.



DIMENSIONS: mm	DWN	13.02.79	MATERIAL	-	FINISH	-
	CHK	16.02.79	TE Connectivity			
TOLERANCES UNLESS OTHERWISE SPECIFIED: ±0.2mm	APVD	09.04.81				
0 PLC ± -	PRODUCT SPEC	108-18012	NAME			
1 PLC ± -	APPLICATION SPEC	-	AMPMODU II PIN HEADER			
2 PLC ± -	WEIGHT	-	SIZE	CAGE CODE	DRAWING NO	RESTRICTED TO
3 PLC ± -			A4	00779	C-827312	-
4 PLC ± -			CUSTOMER DRAWING			SCALE
ANGLES ± -			4:1			SHEET
			1 OF 1			REV
						F