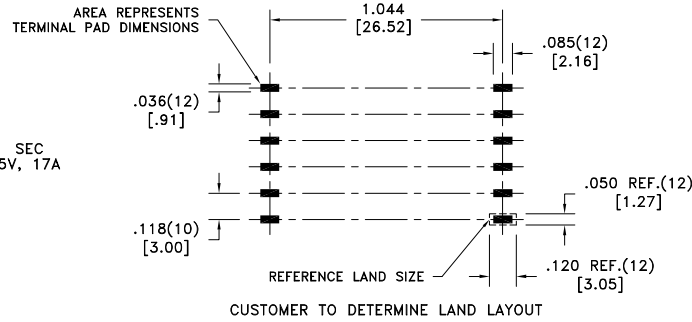
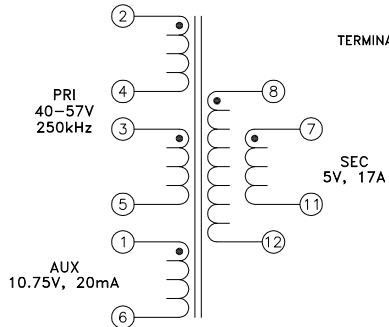
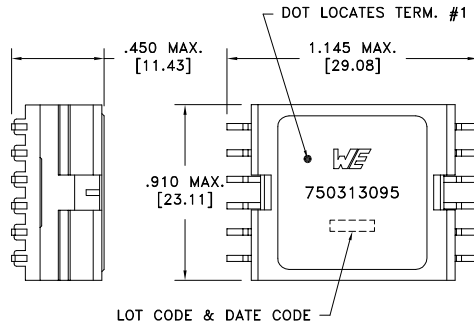
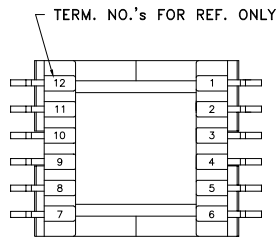


CUSTOMER TERMINAL	RoHS	LEAD(Pb)-FREE
Sn96%, Ag4%	Yes	Yes

more than you expect



Application of the transformer allows for the leadwires between terminals 3&4, 7&8 and 11&12 to solder bridge.

ELECTRICAL SPECIFICATIONS @ 25°C unless otherwise noted:

PARAMETER	TEST CONDITIONS	VALUE
D.C. RESISTANCE	1-6 @20°C	0.188 ohms ±20%
D.C. RESISTANCE	2-5 tie(3+4), @20°C	0.050 ohms max.
D.C. RESISTANCE	7-11 @20°C	0.020 ohms max.
D.C. RESISTANCE	8-12 @20°C	0.020 ohms max.
INDUCTANCE	2-5 tie(3+4), 10kHz, 100mVAC, Ls	175uH min.
LEAKAGE INDUCTANCE	2-5 tie(1+6, 3+4, 7+8+11+12), 100kHz, 100mVAC, Ls	0.5uH typ., 1.0uH max.
DIELECTRIC	1-8 tie(4+5+6, 7+8), 3000VDC, 1 second	2400VDC, 1 minute
DIELECTRIC	1-2 tie(4+5), 625VAC, 1 second	500VAC, 1 minute
TURNS RATIO	(2-4):(3-5)	1:1, ±1%
TURNS RATIO	(2-5):(1-6), tie(3+4)	1.56:1, ±1%
TURNS RATIO	(2-5):(7-11), tie(3+4)	3.46:1, ±2%
TURNS RATIO	(2-5):(8-12), tie(3+4)	3.46:1, ±2%

GENERAL SPECIFICATIONS:

OPERATING TEMPERATURE RANGE: -40°C to +125°C including temp rise.

Designed for functional insulation.

Wire insulation & RoHS status not affected by wire color.
Wire insulation color may vary depending on availability.

REV.	DATE	Packaging Specifications Method: Tape & Reel PKG-0647 www.we-online.com/midcom		Tolerances unless otherwise specified: Angles: ±1° Fractions: ±1/64 Decimals: ±.005 [.13] Footprint: ±.005 [.13]	DRAWING TITLE TRANSFORMER	PART NO. 750313095
6A	1/15	SEE REVISION SHEET FOR REVISION LEVEL		This drawing is dual dimensioned. Dimensions in brackets are in millimeters.	eiSos p/n: 750313095	SPECIFICATION SHEET 1 OF 1