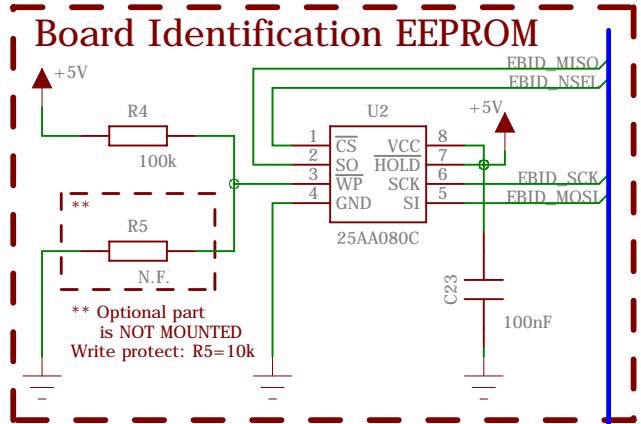


500hm load

Si4463 B0 Class-E Switched +20 dBm matching for 460 MHz



** Optional part is NOT MOUNTED Write protect: R5=10k


SILICON LABORATORIES

TITLE: **4463-TCE20C460**

Size A4	DATE: Feb/10/2012	REV: 1V3	SHEET: 1 OF 1
------------	-------------------	----------	---------------