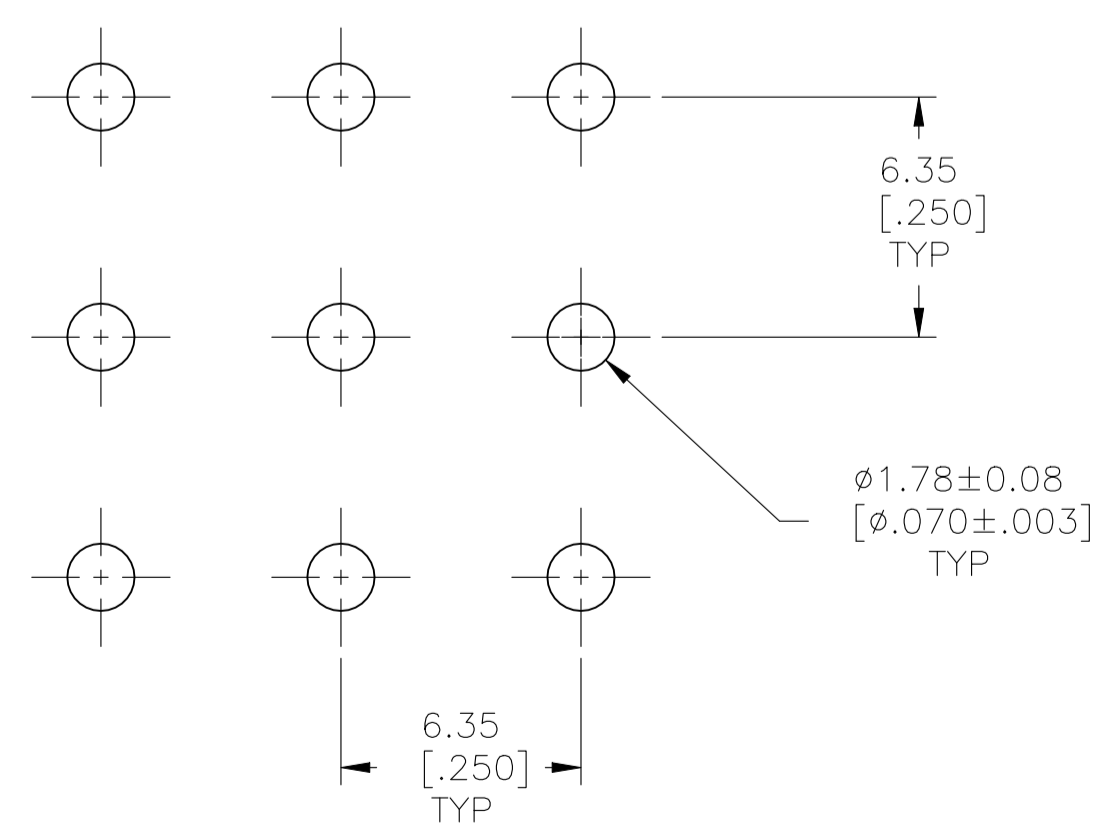
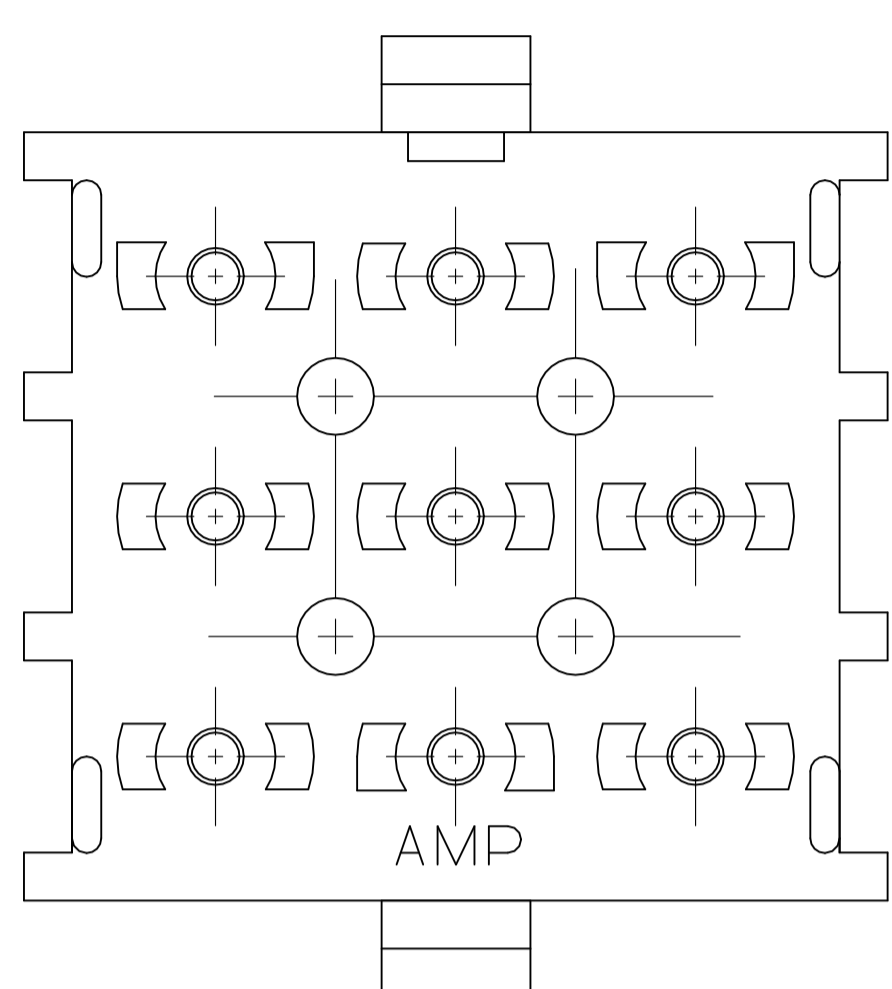
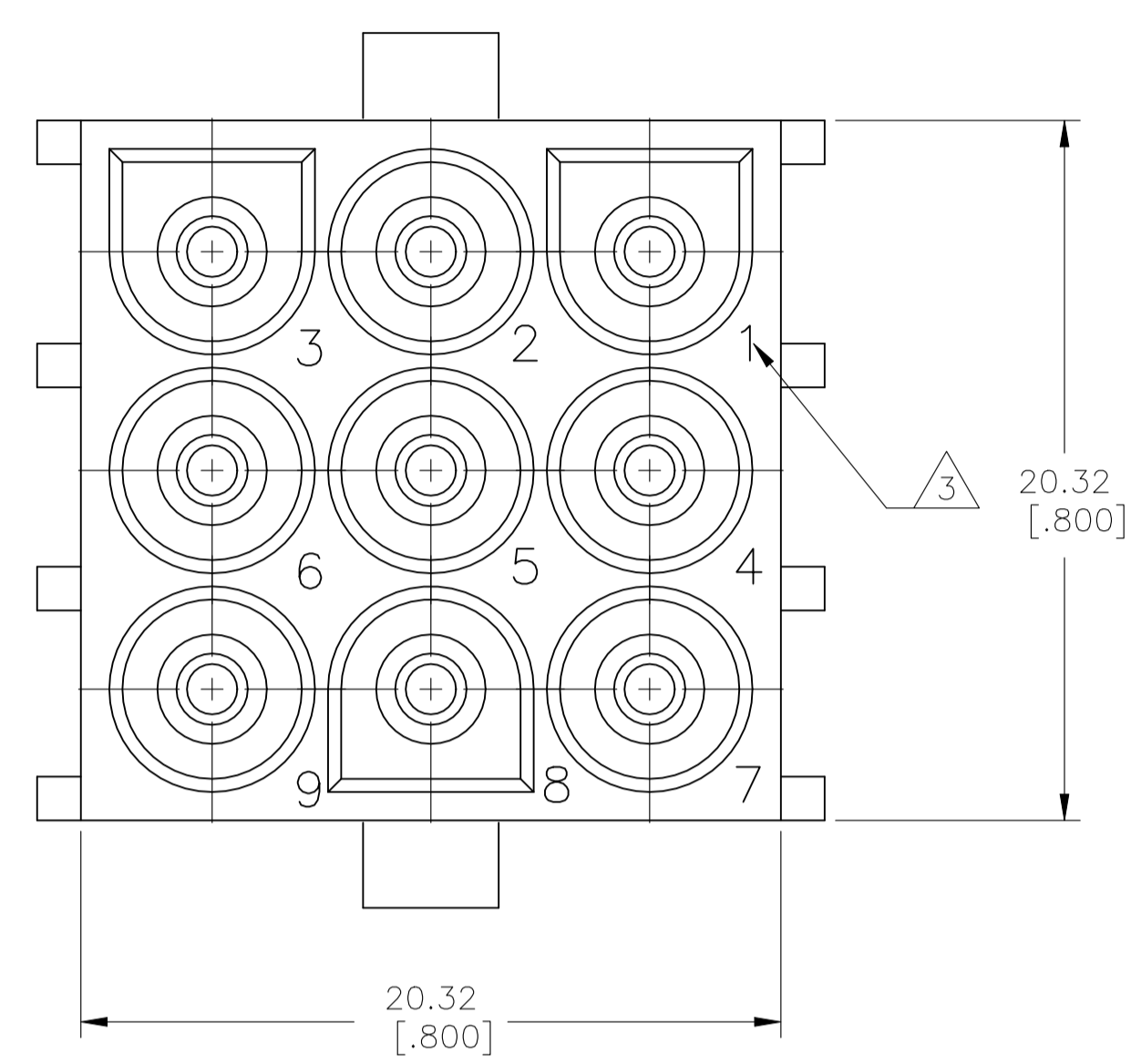
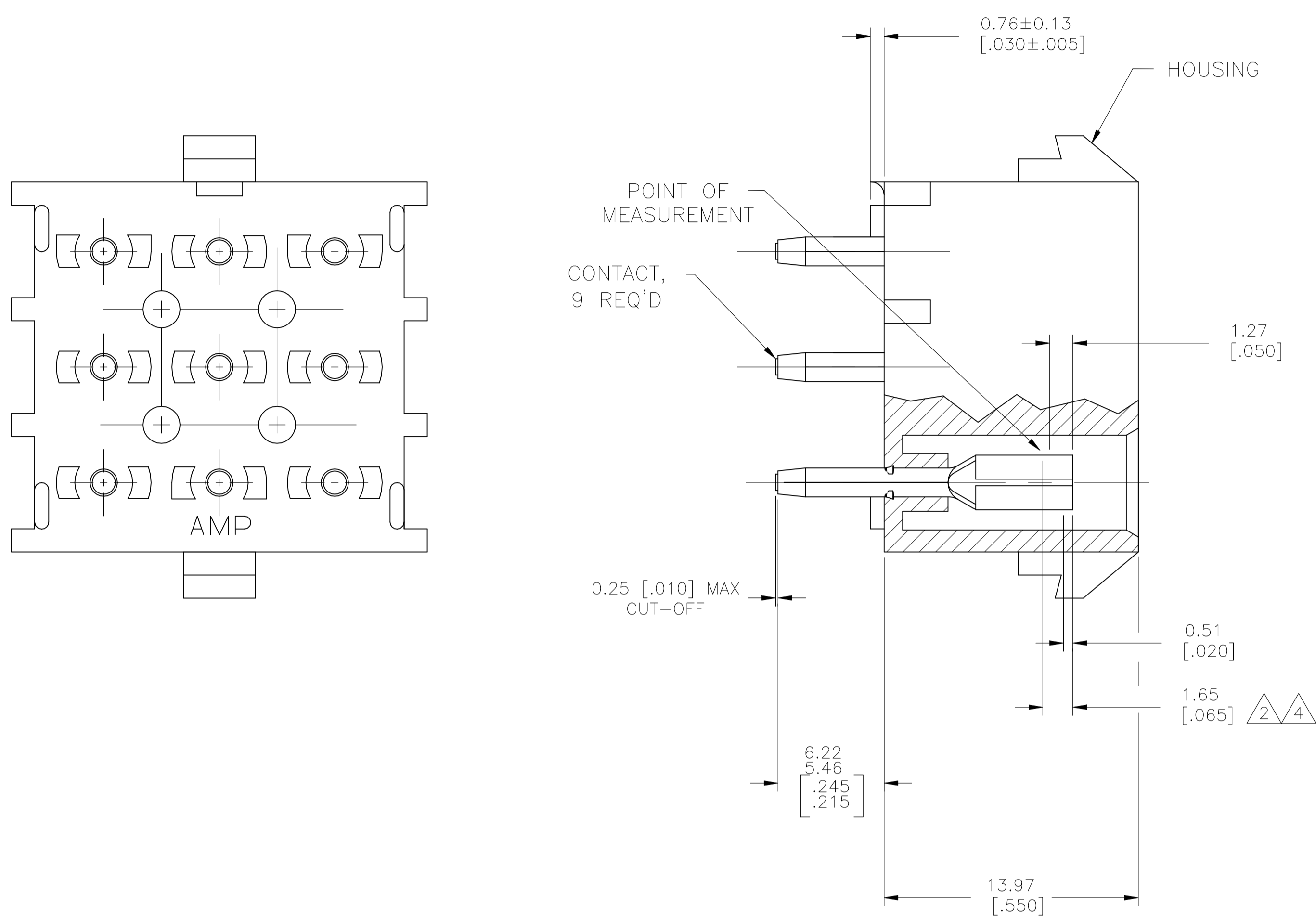


REVISIONS					
REV	DATE	DESCRIPTION	BY	CHK	APP'D
L3	22JUL2022	REVISED PER ECR-21-118222	AVN	VS	

- 1 PARTS MUST COMPLY WITH AMP SOLDERABILITY SPEC 109-11-3.
- 2 CONTACT IS STAMPED FROM PRE-PLATED STOCK WHICH IS PLATED OVERALL WITH 0.00127 [.000050] NICKEL, THEN STRIPED WITH 0.00076 [.000030] GOLD IN CONTACT AREA INDICATED AND TIN-LEAD ON SOLDER TAIL END.
- 3 CIRCUIT IDENTIFICATION CHARACTERS ARE ADJACENT TO THE INDICATED CAVITIES, BUT LOCATION AND ORIENTATION MAY DIFFER FROM PRINT.
- 4 CONTACT IS PLATED OVERALL WITH 0.00127 [.000050] NICKEL, THEN 0.00076 [.000030] GOLD OVER CONTACT LENGTH INDICATED AND MATTE TIN ON SOLDER TAIL END.
- 5 SUPERSEDED BY 350835-4
- 6 DIMENSIONS SHOWN REPRESENT PRODUCT IN DRY CONDITION. ADDITIONAL 2% GROWTH DUE TO END USE LOCATION MOISTURE ABSORPTION MAY OCCUR AND SHOULD BE ACCOUNTED FOR.



RECOMMENDED LAYOUT FOR 3.18 [.125] THICK PC BOARD

PH BRZ GOLD 4	NYLON, 94V-0	350835-4
PH BRZ GOLD 2	NYLON, 94V-0	350835-2
PH BRZ TIN	NYLON, 94V-0	350835-1
CONTACT	HOUSING	PART NO

THIS DRAWING IS A CONTROLLED DOCUMENT.		DIN K. WHITAKER 11OCT2005	TE Connectivity	
DIMENSIONS: mm [INCHES]		CHK S. RIDGILL 11OCT2005		
TOLERANCES UNLESS OTHERWISE SPECIFIED:		APP'D S. RIDGILL 11OCT2005	NAME	
0. PLC ±		PRODUCT SPEC	9 CIRCUIT UNIVERSAL MATE-N-LOK (TM) P.C. BOARD SOCKET HEADER ASSEMBLY	
1. PLC ±		APPLICATION SPEC	SIZE CAGE CODE DRAWING NO	
2. PLC ±			RESTRICTED TO	
3. PLC ± 0.13 [.005]			WEIGHT 0.000000 A1 00779 C=350835	
4. PLC ±			CUSTOMER DRAWING	
ANGLES ±			SCALE 5:1 SHEET 1 of 1 REV L3	