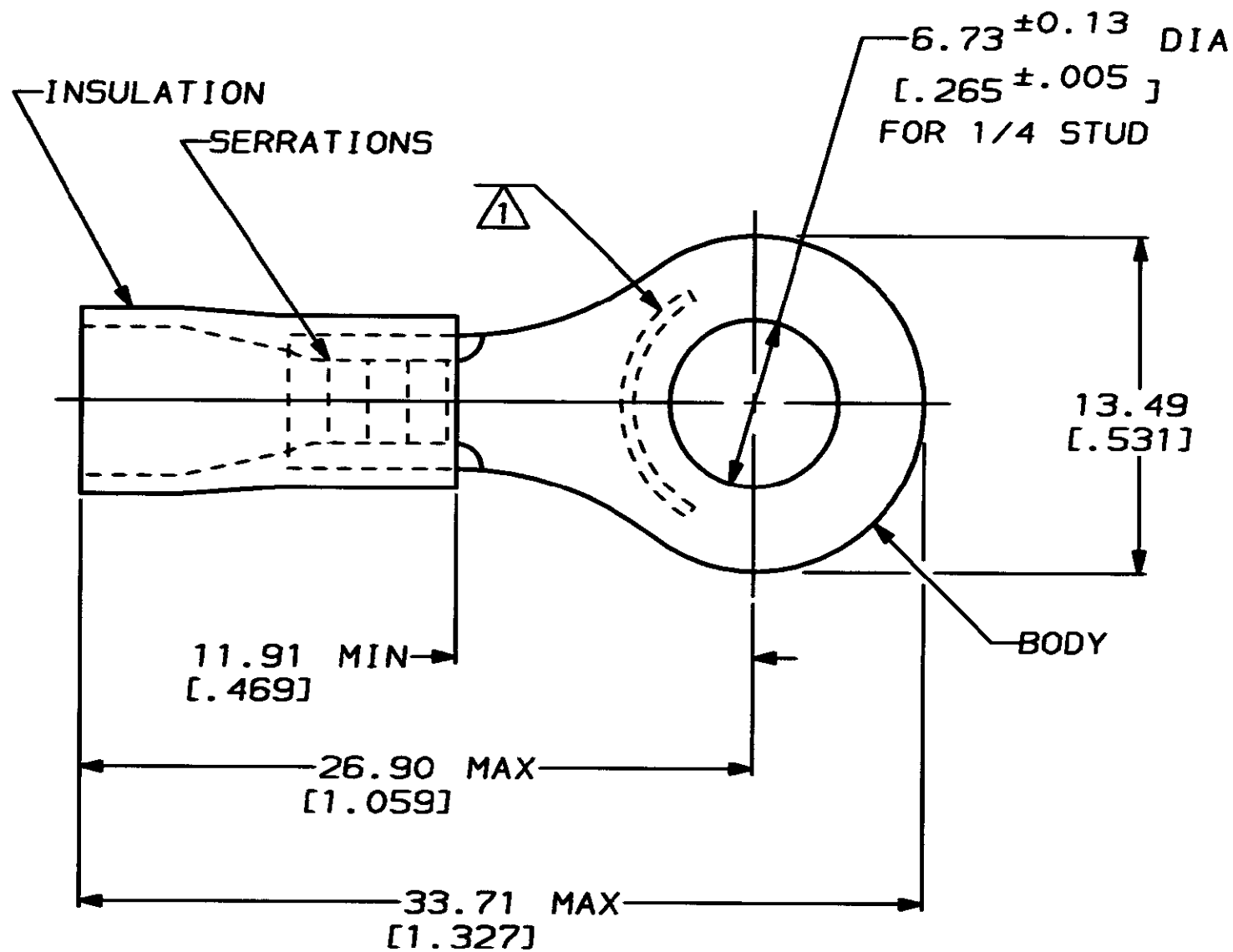


THIS DRAWING IS UNPUBLISHED. RELEASED FOR PUBLICATION .19 .
 © COPYRIGHT 19 BY AMP INCORPORATED. ALL INTERNATIONAL RIGHTS RESERVED.

| LOC | DIST | REVISIONS | | | | |
|-----|------|-----------|-----|--------------------|------|------|
| G | 14 | ZONE | LTR | DESCRIPTION | DATE | APPD |
| | | G | | REV / 0720-0091-93 | 6/93 | ME |

| | | |
|--------------------------------|--------------------------------|--------------------------------|
| AMP WIRE RANGE | Listed | LR7189 Certified |
| 12-10 AWG SOLID OR STRANDED | 12-10 AWG SOLID OR STRANDED | 12-10 AWG SOLID OR STRANDED |

METRIC
 DIMENSIONS LISTED IN mm [INCHES]



- 1 STAMP AMP 12-10* APPROX AS SHOWN
- 2 WIRE INSULATION DIA: .150-.230
- 3 TONGUE MATERIAL THK: 1.02±0.05 [.040±.002]

| 50 | LOOSE PC, BOX | 8-34171-2 |
|----------|---------------|-----------|
| 2500 | ON TAPE, REEL | 2-34171-1 |
| - | LOOSE PIECE | 34171 |
| QUANTITY | PACKAGE TYPE | PART NO |

| | | | | | |
|--|--|---|--|--|--|
| AMP INCORPORATED CUSTOMER SERVICE SYSTEMS | | MAX RECOMMENDED OPERATING TEMPERATURE: 90°C MAX | DO NOT SCALE PRINT. UNLESS SPECIFIED DIMENSIONS IN — INCHES— TOLERANCES ON: 2 PLC DEC ± 0.20(.008) 3 PLC DEC ± - ANGLES ± - | DR 08/08/92 OK SCHRUM CHK 11/10/92 RE HERSEY APPD 11/10/92 NL ELLIS APPD 11/10/92 N BARBARA | AMP AMP Incorporated Harrisburg, PA 17105-3508 |
| FOR ADDITIONAL PRODUCT INFORMATION OR COPIES OF DRAWINGS AND TECHNICAL DOCUMENTS | PRODUCT INFORMATION CENTER 1-800-522-6752 | VOLTAGE RATING: NOT APPLICABLE | MATERIAL COPPER PER ASTM B-152 PVC COLOR: YELLOW | PRODUCT SPEC 108-1034 | |
| FOR APPLICATION TOOLING INFORMATION | TOOLING ASSISTANCE CENTER 1-800-722-1111 | CIRCULAR MIL AREA: 2.62-6.64mm² [5, 180-13, 100] SOLID OR STRANDED | FINISH TIN PLATE PER MIL-T-10727 | APPLICATION SPEC NOT AVAILABLE | NAME TERMINAL, RING TONGUE, PLASTI-GRIP™ |
| FOR ORDER ENTRY | 1-800-526-5142 | THIS DRAWING IS A CONTROLLED DOCUMENT FOR AMP INCORPORATED. IT IS SUBJECT TO CHANGE AND THE CONTROLLING ENGINEERING ORGANIZATION SHOULD BE CONTACTED FOR THE LATEST REVISION. | | WEIGHT - | SIZE B CASE CODE 00779 DRAWING NO C-34171 |
| | | | | | SCALE 4:1 SHEET 1 OF 1 |