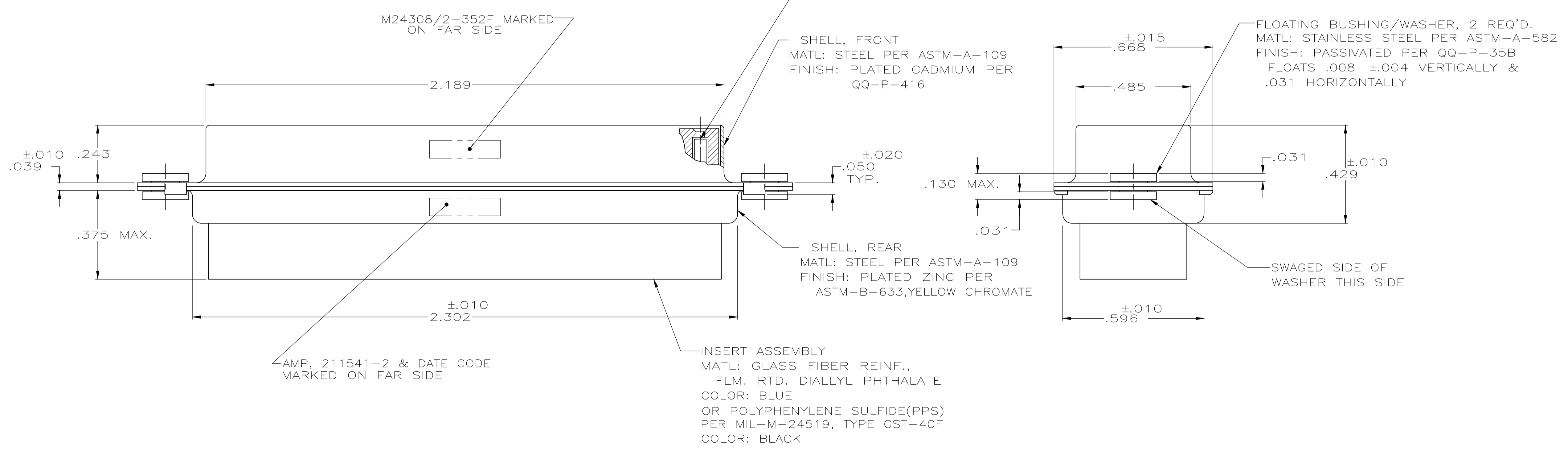
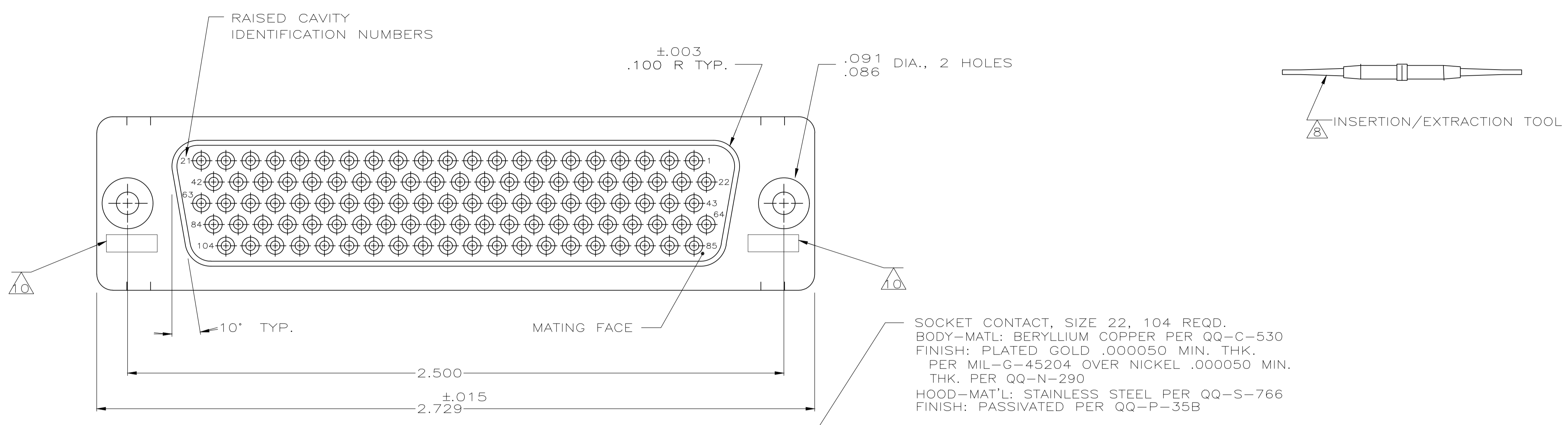


REVISIONS					
P	LTR	DESCRIPTION	DATE	DMN	APVD
G		REVISED PER ECO-19-013888	8-31-20	CT	DM



1. THIS RECEPTACLE WILL MATE WITH ANY 104 POSN., SIZE 6 PLUG IN AMPLIMITE SERIES.
2. MAXIMUM WIRE INSULATION TO BE USED WITH THIS RECEPTACLE IS .054 DIA.
3. SST RETENTION CLIPS ARE INCLUDED IN INSERTS.

- 4 PACKAGE STAMPED M24308/2-492F & AMP P/N 211541-1
- 5 PACKAGE STAMPED M24308/2-352F & AMP P/N 211541-2
- 6 PACKAGE STAMPED M24308/2-363F & AMP P/N 211541-3
- 7 AMP P/N 204351-1; MIL P/N 57-354, INCLUDED IN KIT
- 8 AMP P/N 91067-1; MIL P/N M81969/1-04
- 9 CONNECTOR SUPPLIED WITHOUT CONTACTS; SHOWN FOR ILLUSTRATION ONLY.
- 10 UL/CSA DESIGNATION STAMPED IN THIS AREA, OPTIONAL

SUPSD BY 204546-2 & 91067-1	SAME AS -1 EXCEPT: 6 7 8	211541-3
	SAME AS -1 EXCEPT: 5 7	211541-2
	AS SHOWN	211541-1
	DESCRIPTION	PART NO

THIS DRAWING IS A CONTROLLED DOCUMENT.		DIN D. ERDMAN 7/17/85	TE Connectivity	
DIMENSIONS: INCHES		CHK R. GRZYBOWSKI 9-20-85	NAME	
TOLERANCES UNLESS OTHERWISE SPECIFIED:		APVD L. ROPIER 9-20-85	PRODUCT SPEC	
0 PLC ± -		APPLICATION SPEC		
1 PLC ± -		SIZE		
2 PLC ± -		CODE		
3 PLC ± -.005		DRAWING NO		
4 PLC ± -		RESTRICTED TO		
ANGLES ± 0°30'		WEIGHT		
MATERIAL SEE CALLOUT		0.000000		
FINISH SEE CALLOUT		A1 00779 C=211541		
		CUSTOMER DRAWING		
		SCALE NTS SHEET 1 OF 1 REV G		