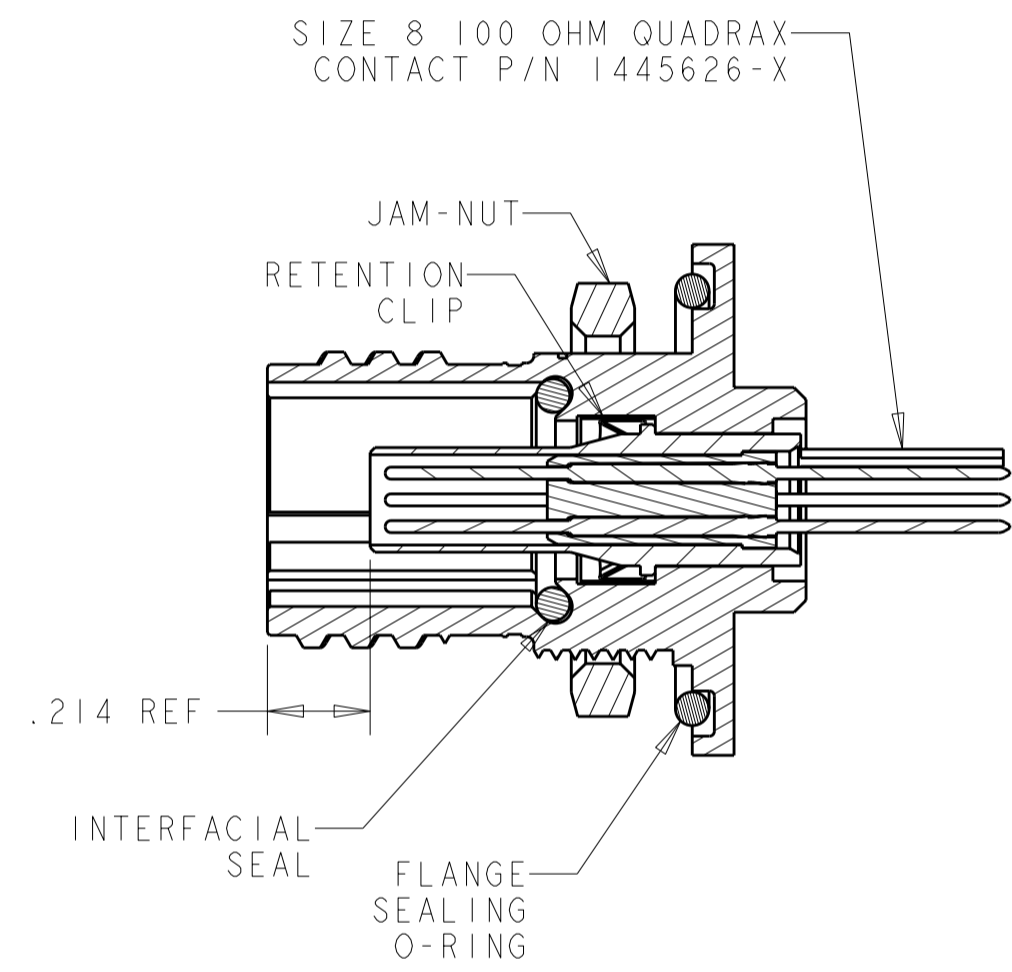
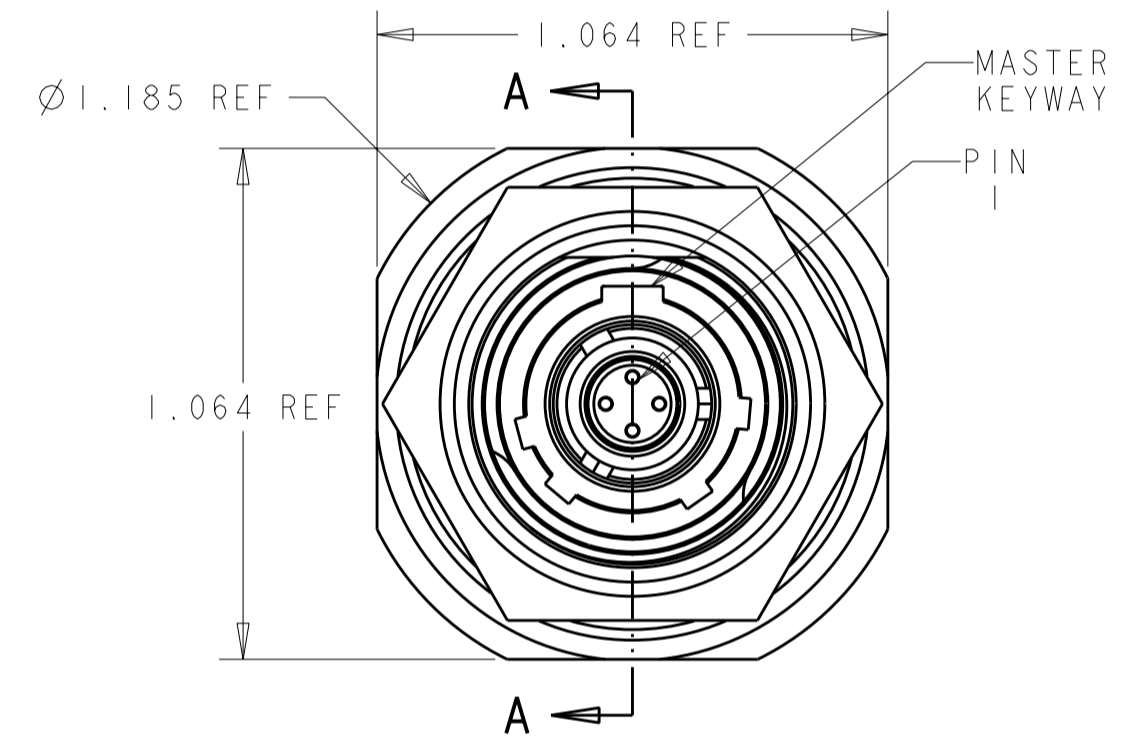
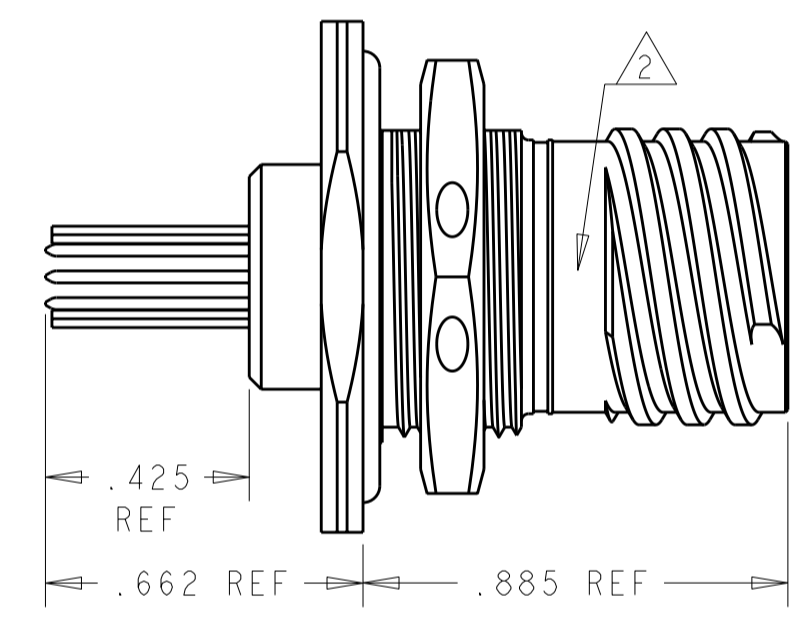
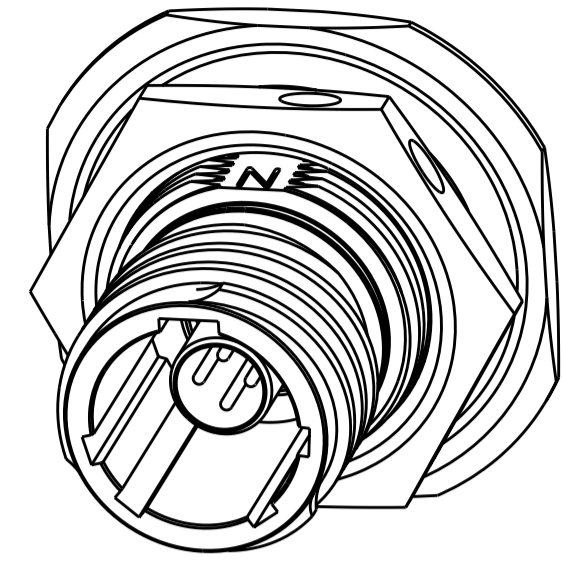


THIS DRAWING IS UNPUBLISHED. RELEASED FOR PUBLICATION 20  
 © COPYRIGHT 20 BY - ALL RIGHTS RESERVED.

LOC		DIST		REVISIONS			
P	LTR	DESCRIPTION	DATE	DWN	APVD		
	A	REV PER ECO 11-004015	3-30-11	CT	DM		

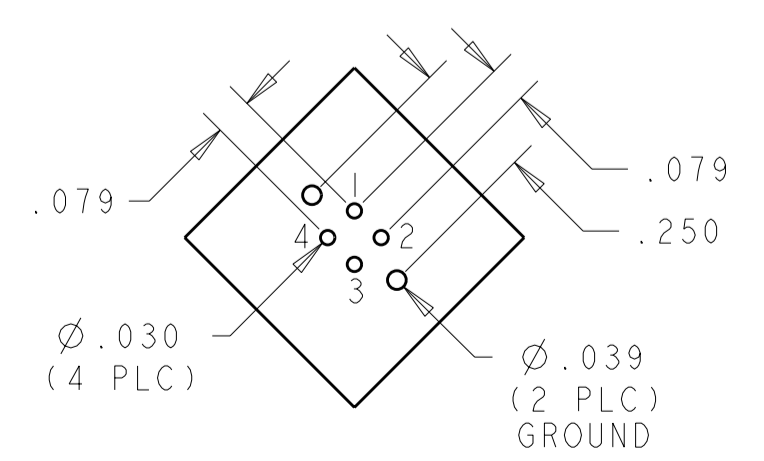
- 1 MATERIAL AND FINISH:  
 — CONNECTOR SHELL - NICKEL PLATED ALUMINUM  
 — QUADRAX RETENTION CLIP - SILVER PLATED STAINLESS STEEL  
 — JAM-NUT - NICKEL PLATED ALUMINUM  
 — QUADRAX CONNECTOR - GOLD PLATED COPPER ALLOY AND BRASS, AND THERMOPLASTIC  
 — FLANGE SEALING O-RING - FLUOROSILICONE RUBBER  
 — INTERFACIAL SEAL - FLUOROSILICONE RUBBER

2 TYCO ELECTRONICS LOGO OR TE



SECTION A-A

SOLDERTAIL LENGTHS APPLY TO QUADRAX CONTACT 1445626-2 ONLY



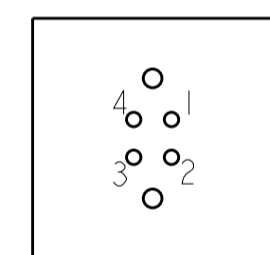
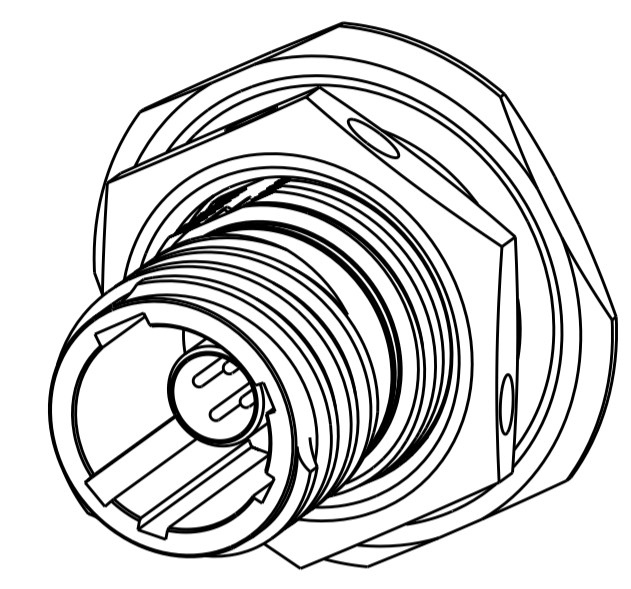
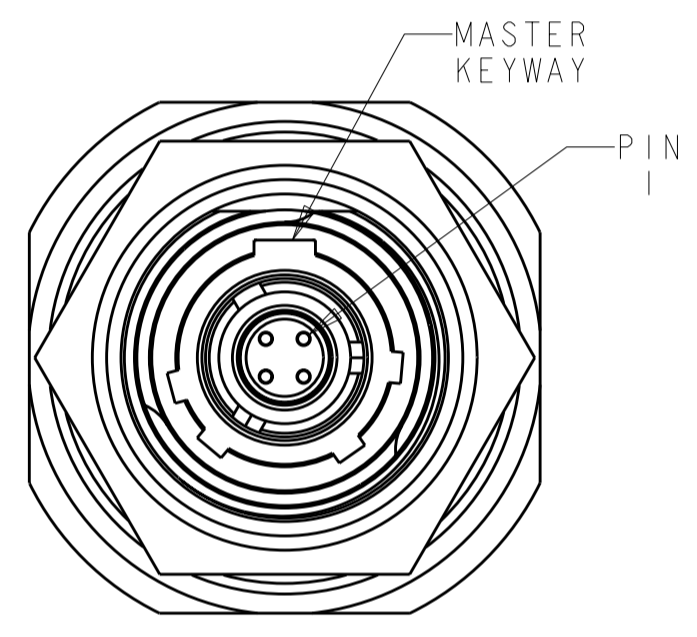
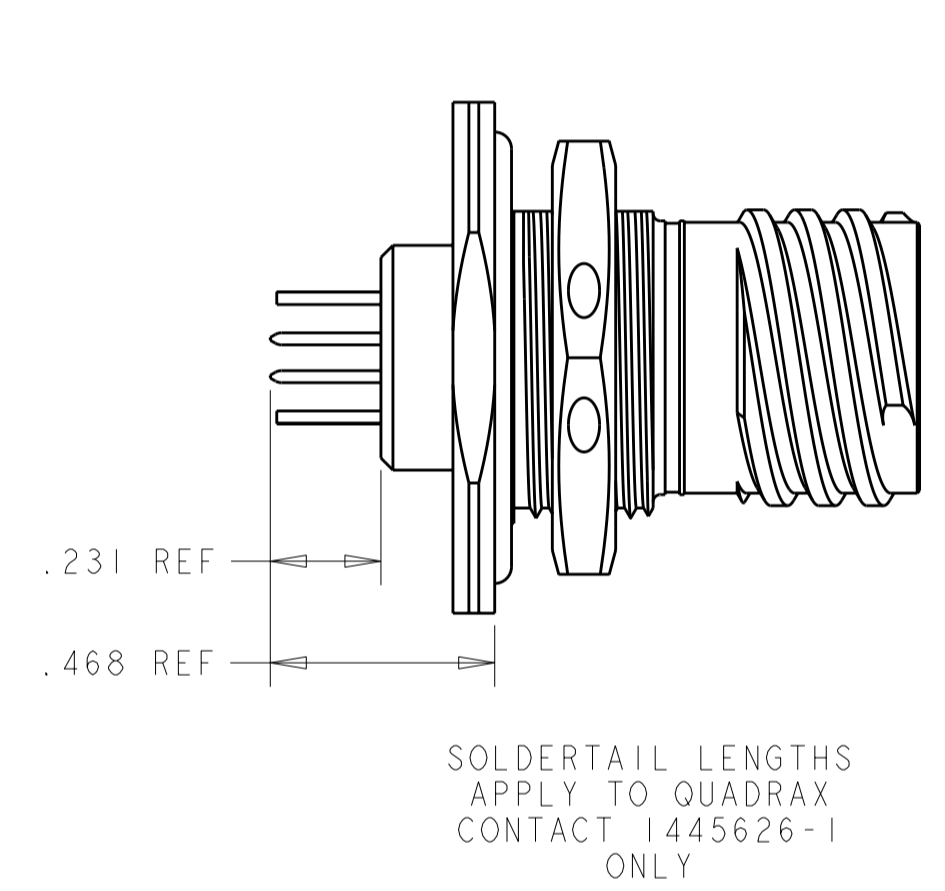
PCB LAYOUT 1738916-1, 2, AND 3

1445626-1	SEE SHEET 2	"B" KEY	1738916-6
1445626-1	SEE SHEET 2	"A" KEY	1738916-5
1445626-1	SEE SHEET 2	"N" KEY	1738916-4
1445626-2	SEE SHEET 1	"B" KEY	1738916-3
1445626-2	SEE SHEET 1	"A" KEY	1738916-2
1445626-2	SEE SHEET 1	"N" KEY	1738916-1
QUADRAX CONTACT	QUADRAX CONTACT PIN PATTERN	38999 POLARIZATION	PART NUMBER

THIS DRAWING IS A CONTROLLED DOCUMENT.		DWN: JMS 22APR2004	TE Connectivity		
DIMENSIONS: INCHES		CHK: WHB 22APR2004			
TOLERANCES UNLESS OTHERWISE SPECIFIED:		APVD: WHB 22APR2004			
0 PLC ± 1 PLC ±0.1 2 PLC ±0.01 3 PLC ±0.001 4 PLC ±0.0001 ANGLES ± FINISH		PRODUCT SPEC	NAME: RECEPTACLE, 38999 SERIES III, SIZE 9 JAM-NUT STYLE, SINGLE QUADRAX		
MATERIAL		APPLICATION SPEC	SIZE: A200779	CAGE CODE: C-1738916	RESTRICTED TO: -
CUSTOMER DRAWING		WEIGHT: -	SCALE: 1:1	SHEET 1 OF 2	REV A

THIS DRAWING IS UNPUBLISHED.      RELEASED FOR PUBLICATION      20  
 © COPYRIGHT 20      BY      ALL RIGHTS RESERVED.

LOC	DIST	REVISIONS			
P	LTR	DESCRIPTION	DATE	DWN	APVD
-	-	SEE SHEET 1	-	-	-



PCB ORIENTATION  
 (SEE SHEET 1 FOR DIMENSIONS)

QUADRAX CONTACT ORIENTATION 1738916-4, 5, AND 6

THIS DRAWING IS A CONTROLLED DOCUMENT.		DWN JMS 22APR2004	<b>STE</b> TE Connectivity	
DIMENSIONS: INCHES		CHK WHB 22APR2004		
TOLERANCES UNLESS OTHERWISE SPECIFIED:		APVD WHB 22APR2004	NAME RECEPTACLE, 38999 SERIES III, SIZE 9 JAM-NUT STYLE, SINGLE QUADRAX	
0 PLC ±-		PRODUCT SPEC	SIZE	CAGE CODE
1 PLC ±0.1		APPLICATION SPEC	DRAWING NO	RESTRICTED TO
2 PLC ±0.01		WEIGHT	A200779	C=1738916
3 PLC ±0.001		MATERIAL	SCALE 5:2 SHEET 2 OF 2 REV A	
4 PLC ±0.0001		FINISH	CUSTOMER DRAWING	
ANGLES ±-				