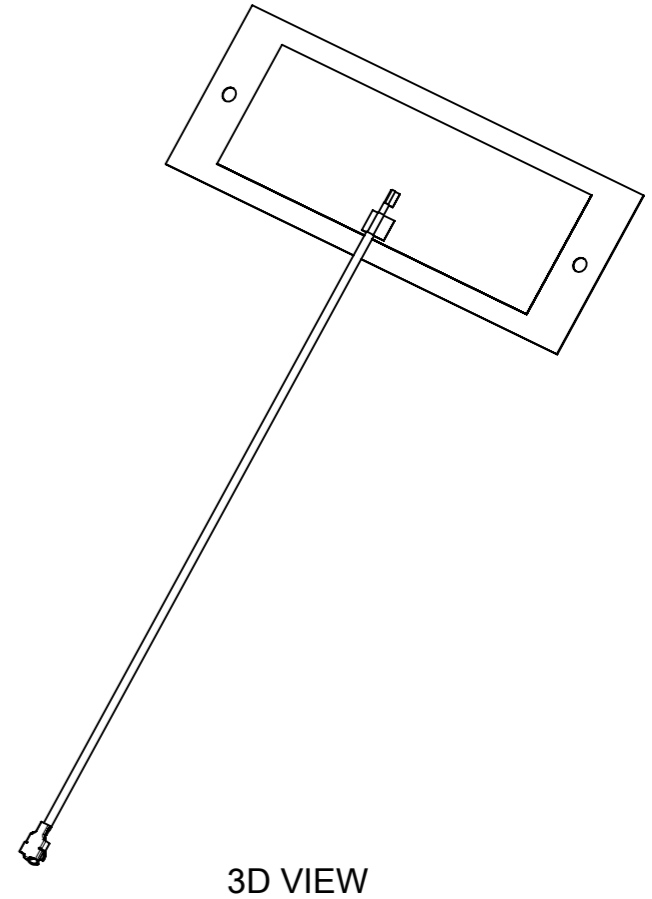
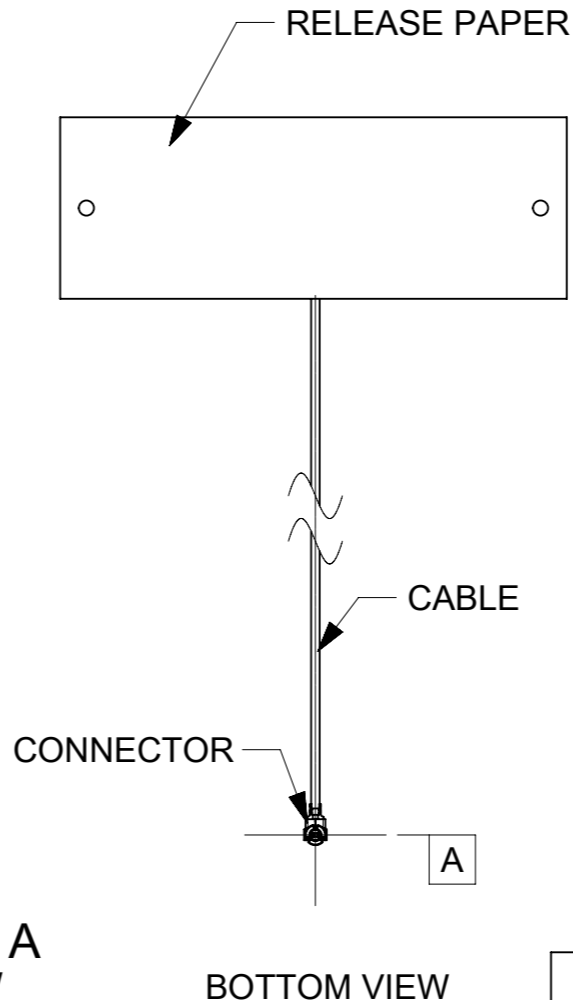
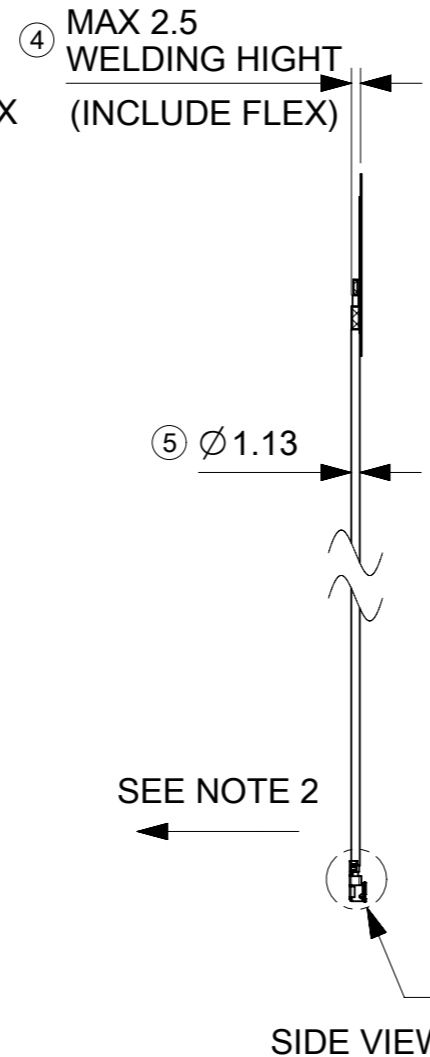
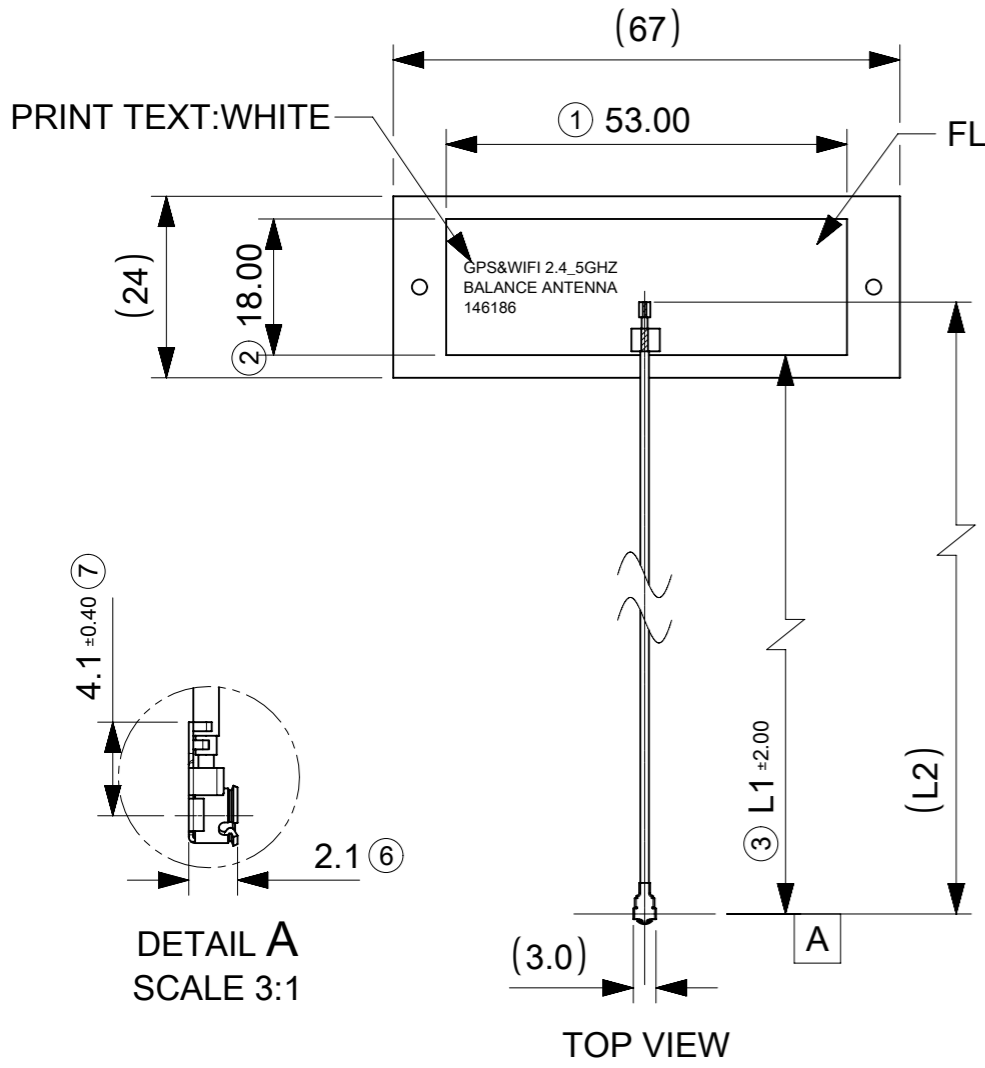


REV	DATE	DESCRIPTION
C	2017/09/22	N/A
D	2023/03/21	1.UPDATE PRINT TEXT 2.DRAWING CONTENT UPDATE



NOTE:
 1.FLEX: BLACK IN COLOR ;
 CONNECTOR:COMPATIBLE U.FL & MHF CONNECTOR(GOLD PLATING) ;
 CABLE:BLACK IN COLOR ;
 ADHESIVE:3M9077 (T:0.05MM).
 RELEASE PAPER:WHITE IN COLOR.
 2.CAN NOT LIFT UP CABLE IN VERTICAL DIRECTION.
 3.THE CONNECTOR WILL BE PROTECTED WITH A CAP.
 4.APPLICATION SPEC PLEASE REFER TO AS OF AS-146186-100.
 5.PRODUCT SPEC PLEASE REFER TO PS OF PS-146186-100.
 6.PACKAGING SPEC REFER TO PK OF PK-1461860100.

ITEM	MOLEX P/N	"L1"LEHTH	"L2" LENTH
1	1461860050	43MM	50MM
2	1461860100	93MM	100MM
3	1461860150	143MM	150MM
4	1461860200	193MM	200MM
5	1461860250	243MM	250MM

FUNCTIONAL SYMBOLS FA = 0 FE = 0 FE = 0	THIS DRAWING CONTAINS INFORMATION THAT IS PROPRIETARY TO MOLEX ELECTRONIC TECHNOLOGIES, LLC AND SHOULD NOT BE USED WITHOUT WRITTEN PERMISSION	SCALE 1:1	CURRENT REV DESC:		
	GENERAL TOLERANCES (UNLESS SPECIFIED)	ANGULAR TOL ± °	EC NO: 742894	molex	
4 PLACES ±	3 PLACES ± 0.1	DRWN: KCHENG06	2023/03/21		
DIVISIONAL SYMBOLS	2 PLACES ± 0.15	1 PLACE ± 0.2	CHK'D: HORACM1	2023/03/22	WIFI 6E TRI-BAND AUTOMOTIVE FLEX ANTENNA
0 PLACES ± 0.5	INITIAL REVISION:		APPR: HORACM1	2023/03/22	
DRAFT WHERE APPLICABLE MUST REMAIN WITHIN DIMENSIONS	THIRD ANGLE PROJECTION	DRAWING	SERIES	MATERIAL NUMBER	CUSTOMER
		A3-SIZE	146186	SEE TABLE A	GENERAL MARKET