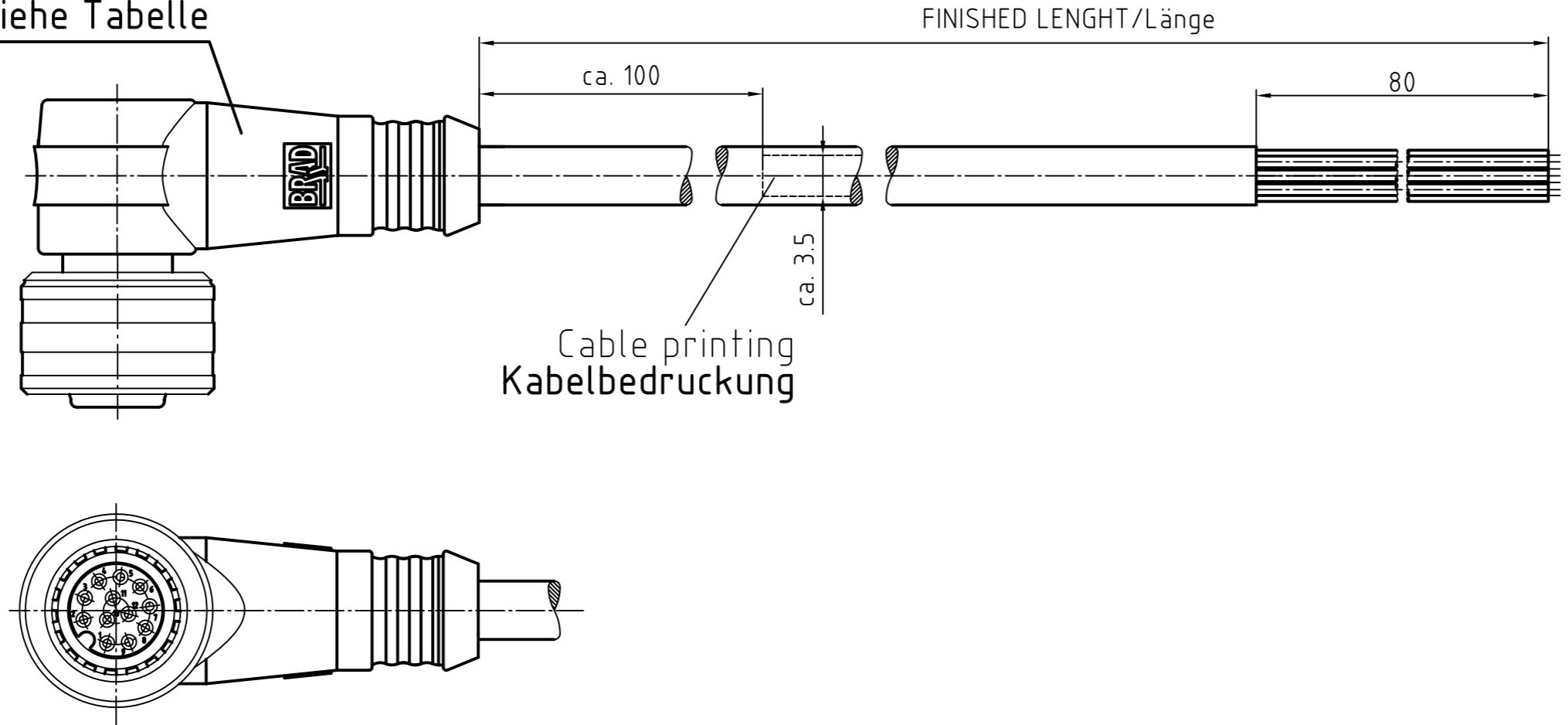
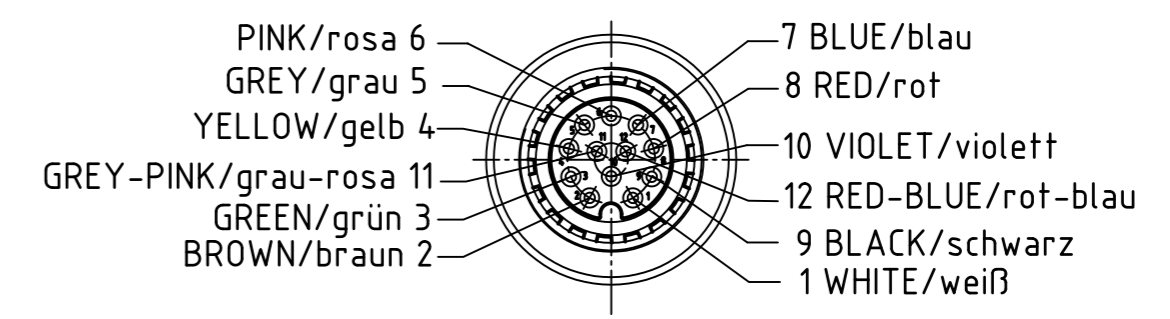


OVERMOLD PUR SEE TABLE  
 Umspritzung PUR siehe Tabelle



MATING SIDE  
 FEMALE CABLE CONNECTOR  
 Steckseite  
 Kabeldose ULTRA-LOCK  
 12-Pol



SAP-Nummer	Engineering Nr.:	Umspritzungsfarbe	Länge
SAP-Nummer		Overmold Color	Length
1200795117	W0C001H45M020	yellow	2.0M±25MM

Allgemeine Kennwerte General Characteristics		Norm Standard	
Polzahl Kontaktanordnung	Number of contacts Contact configuration	IEC 947-5-2	12
Bemessungsspannung	Rated Voltage	IEC 664	30V AC / DC
Verschmutzungsgrad	Pollution Degree	IEC 664	3
Betriebsstrom	Current carrying capacity	IEC 512-3 Test 5 b	1,5A
Durchgangswiderstand	Contact Resistance	IEC 512-2 Test 2 a	< 5mOhm
Bemessungsstoßspannung	Rated Impulse Withstand Voltage	IEC 664	0,8 kV
Prüfspannung	Test Voltage	IEC 60512-2 Test 4 A	0,5 kV / 60 sec
Isolationswiderstand	Insulation Resistance	IEC 512-2 Test 3 A	> 100 MOhm
IP-Schutzart	IP Degree of Protection	IEC 529	IP 67
Stiftdurchmesser	Pin Diameter		0,6 mm
Werkstoffe	Kontakte	Materials	Kupferlegierung / copper alloy
	Kontaktfläche		Au/Ni
	Kontaktträger		PUR
	Gehäuse (Umspritzung)		PUR
	Dichtung (O-Ring)		VITON
Schiebehülse	Push Sleeve	CuZn (brass) mit Ni-Oberfläche Nickel Plated	
Anschlussart	Termination		Crimp
Brennbarkeit	Kontaktträger	Flammability	Inserts HB
	Gehäuse (Umspritzung)		Housing (Overmold) HB
Leitung / Kabel	Cable	UL 94	DIN EN265-2-1/UL1581-VW1-Page 95A
Mechanische Lebensdauer	Mechanical Operation		100 Steckzyklen/Mating Cycles
Temperaturbereich	Temperature Range	IEC 60668-1	-25°C / +90°C

(...) Dim. for information  
 (...) Informationsmaß

DESCRIPTION EC NO: WEU2010-0442 DRWN: REISSNER 2010/03/18 CHKD: FP APPR: FPACHER 2010/03/19	QUALITY SYMBOLS ▽ = 0 ◻ = 0	GENERAL TOLERANCES (UNLESS SPECIFIED)		DIMENSION STYLE MM ONLY		SCALE 2:1	DESIGN UNITS METRIC	THIRD ANGLE PROJECTION		
		mm	INCH	DRAWN BY	DATE	MICRO-CHANGE ULTRA LOCK 12-POLE FEM 90 PUR BLACK CABLE				
		4 PLACES ±---	±---	REISSNER	2010/03/18					
		3 PLACES ±---	±---	CHECKED BY	DATE	MOLEX INCORPORATED				
2 PLACES ±---	±---	NS	2010/03/18							
1 PLACE ±0.3	±---	APPROVED BY	DATE	MATERIAL NO. SEE TABLE		DOCUMENT NO. SD-120079-052		SHEET NO. 1 OF 1		
ANGULAR ± --- °	±---	FPACHER	2010/03/19							
DRAFT WHERE APPLICABLE MUST REMAIN WITHIN DIMENSIONS		SIZE A2	THIS DRAWING CONTAINS INFORMATION THAT IS PROPRIETARY TO MOLEX INCORPORATED AND SHOULD NOT BE USED WITHOUT WRITTEN PERMISSION							