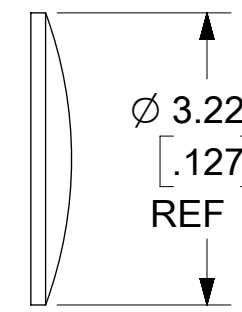
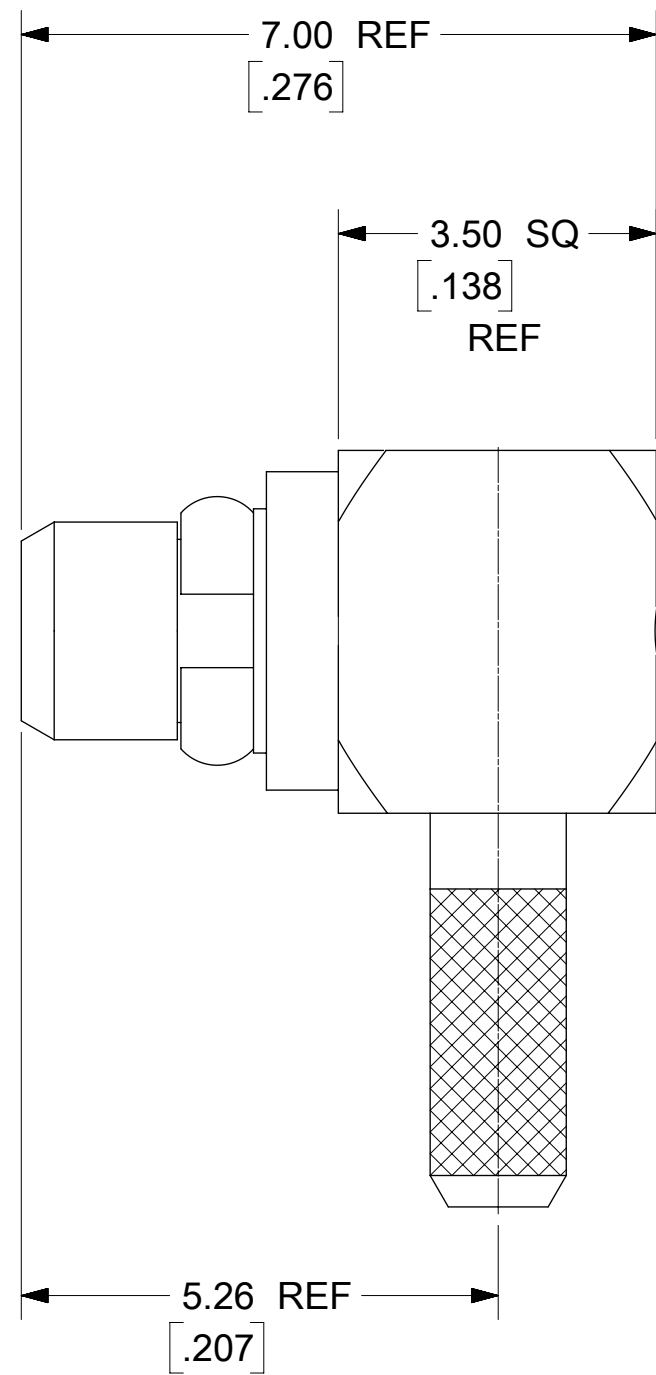
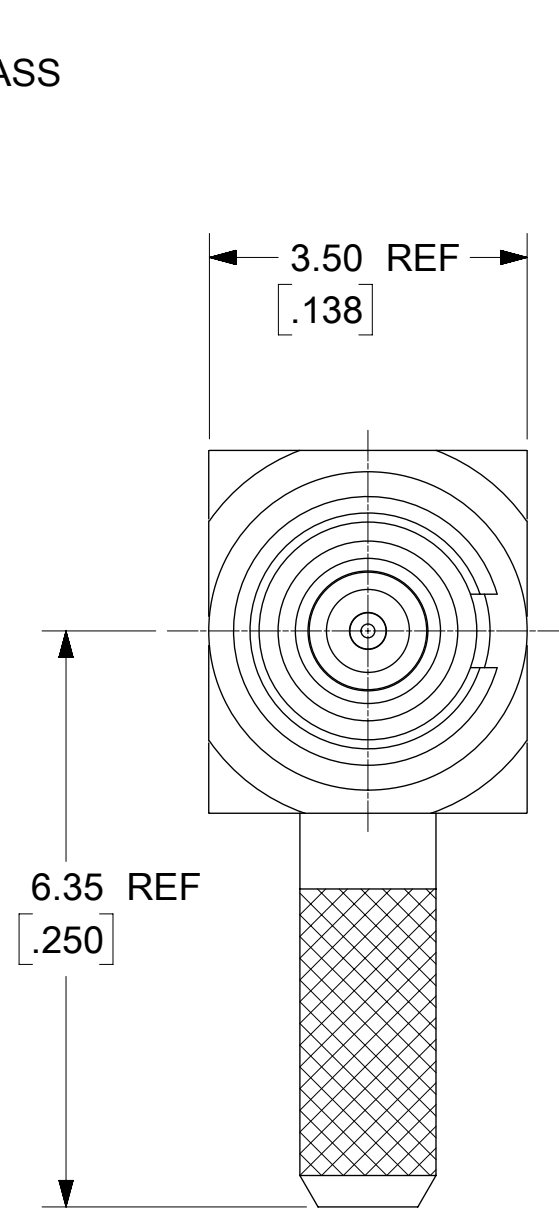
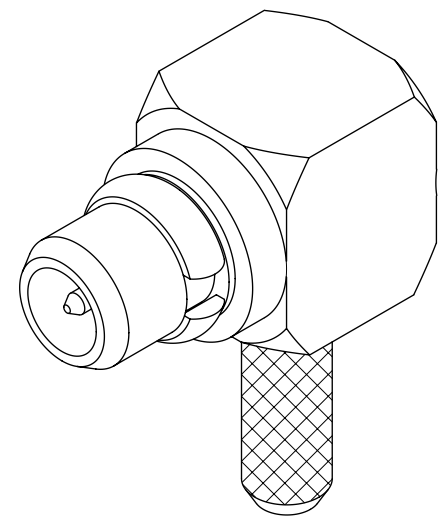


MATERIALS AND FINISHES:

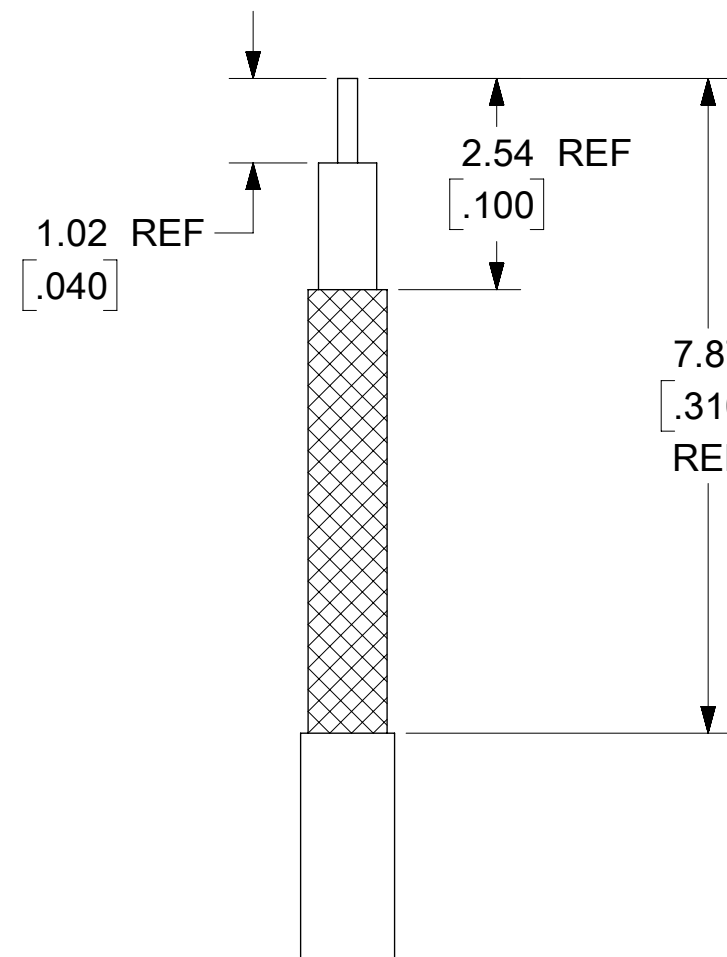
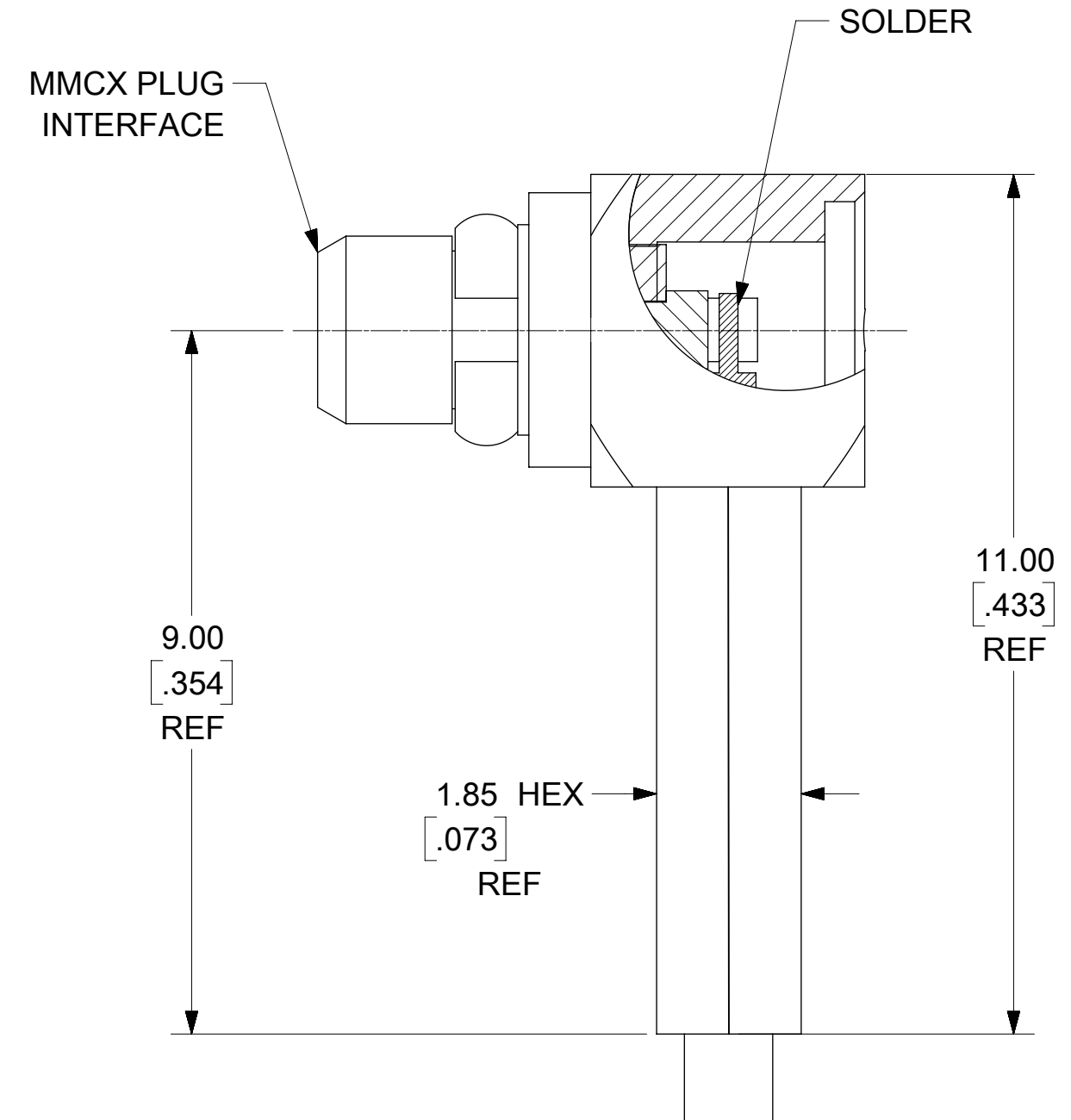
BODY, CONTACT ,CAP, CRIMP TUBE: BRASS
FINISH: GOLD OVER NICKEL(SEE TABLE)

SNAP RING: BERYLLIUM COPPER
FINISH: GOLD OVER NICKEL(SEE TABLE)

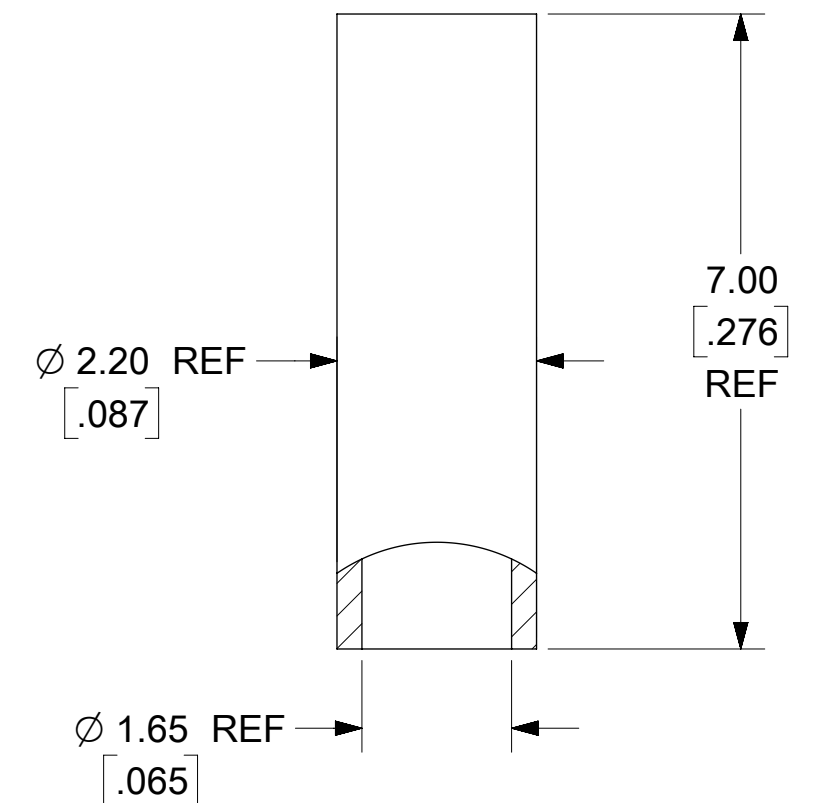
INSULATOR: PTFE



CAP



1.13 / 1.32 CABLE



CRIMP TUBE

73415-2263	COMMERCIAL REQUIREMENTS	HIGH PERFORMANCE	BULK
73415-2262	COMMERCIAL REQUIREMENTS	STANDARD	SINGLE BAG
73415-2261	COMMERCIAL REQUIREMENTS	STANDARD	BULK
73415-2260	MILITARY REQUIREMENTS	STANDARD	BULK
PART NO.	FINISH	PERFORMANCE	PACKAGING

AS-89675-5070	CABLE ASSY INSTRUCTION
IEC-61169-52	INTERFACE
PS-89675-1920	ELECTRICAL/MECHANICAL
SPECIFICATION	DESCRIPTION

73415-2263	1 OVER 50	30 OVER 50	1 OVER 50	1 OVER 50	1 OVER 50
73415-2262	1 OVER 50	30 OVER 50	1 OVER 50	1 OVER 50	1 OVER 50
73415-2261	1 OVER 50	30 OVER 50	1 OVER 50	1 OVER 50	1 OVER 50
73415-2260	30 OVER 100	50 OVER 100	30 OVER 100	50 OVER 100	30 OVER 100

PART NO.	BODY (µ-in MIN)	CONTACT (µ-in MIN)	SNAP RING (µ-in MIN)	CAP (µ-in MIN)	CRIMP TUBE (µ-in MIN)
PLATING (GOLD OVER NICKEL)					

RELEASE STATUS P1 RELEASE DATE 13.09.2017 12:16:18

THIS DRAWING CONTAINS INFORMATION THAT IS PROPRIETARY TO MOLEX ELECTRONIC TECHNOLOGIES, LLC AND SHOULD NOT BE USED WITHOUT WRITTEN PERMISSION

SEE ECM 2017/07/24 2017/09/13 2017/09/13	GENERAL TOLERANCES (UNLESS SPECIFIED)		DIMENSION UNITS	SCALE	
		MM INCH	mm		
	4 PLACES	± ±	DRWN BY	DATE	
	3 PLACES	± ± 0.01	BOMALLEY	2011/12/13	
EC NO: 120304 DRWN: BBHARADWAJD CHKD: BBHARADWAJD REV: APPR: AROBERTSON	1 PLACES	± ±	CHK'D BY	DATE	MMCX PLUG RA 50 OHM FOR 1.13/1.32 CAB MMCX-PC/RA, EWR-11074
	2 PLACES	± 0.25 ±	SSS	2011/12/13	
	0 PLACES	± ±	APPR BY	DATE	
			JWIENER	2011/12/14	
	ANGULAR TOL = 2.0	DRAWING SIZE	THIRD ANGLE PROJECTION		PRODUCT CUSTOMER DRAWING
	DRAFT WHERE APPLICABLE MUST REMAIN WITHIN DIMENSIONS	C			SERIES MATERIAL NUMBER CUSTOMER
B4					73415 SEE TABLE
					DOCUMENT NUMBER SD-73415-226 DOC TYPE PSD DOC PART 001 SHEET NUMBER 1 OF 1