

- [注記] 1. 材質 MATERIAL  
 NOTESハウジング: 耐熱性樹脂, UL94V-0, 色: 黒  
 HOUSING: LCP, UL94V-0, COLOR: BLACK  
 ハートカム: 耐熱性樹脂, UL94V-0, 色: 黒  
 HEART CAM: LCP, UL94V-0, COLOR: BLACK  
 ターミナル: リン青銅 (±0.25)  
 TERMINAL: PHOSPHOR BRONZE (±0.25)  
 シェルカバー: ステンレス鋼 (±0.2)  
 SHELL COVER: STAINLESS STEEL (±0.2)  
 各スイッチ: リン青銅 (±0.2)  
 EACH SWITCHES: PHOSPHOR BRONZE (±0.2)  
 各補強金具: 黄銅 (±0.2)  
 EACH NAILS: BRASS (±0.2)  
 コイルスプリング: 鋼線  
 COIL SPRING: STEEL WIRE  
 カムピン: ステンレス鋼 (φ 0.4)  
 PIN FOR CAM: STAINLESS STEEL (φ 0.4)

2. メッキ仕様 PLATING  
 ターミナル (接触部): 金メッキ 0.1 μm 以上  
 TERMINAL (CONTACT AREA): GOLD 0.1 MICROMETER MIN.  
 ターミナル (テール部): 銅メッキ 1.0 μm 以上  
 TERMINAL (TAIL AREA): TIN 1.0 MICROMETER MIN.  
 ターミナル (下地メッキ): ニッケルメッキ 1.0 μm 以上  
 TERMINAL (UNDER-PLATING): NICKEL 1.0 MICROMETER MIN.  
 各スイッチ (接触部): 金メッキ 0.1 μm 以上  
 EACH SWITCHES (CONTACT AREA): GOLD 0.1 MICROMETER MIN.  
 各スイッチ (テール部): 銅メッキ 1.0 μm  
 EACH SWITCHES (TAIL AREA): TIN 1.0 MICROMETER MIN.  
 各スイッチ (下地メッキ): ニッケルメッキ 1.5 μm 以上  
 TERMINAL (UNDER-PLATING): NICKEL 1.5 MICROMETER MIN.  
 スイッチ導通補強金具: 全面金メッキ 0.1 μm 以上  
 SWITCH NAIL (ALL AREA): GOLD 0.1 MICROMETER MIN.  
 補強金具: 全面銅メッキ 1.0 μm 以上  
 NAIL (ALL AREA): TIN 1.0 MICROMETER MIN.  
 補強金具 (下地メッキ): ニッケルメッキ 1.0 μm 以上  
 NAIL (UNDER-PLATING): NICKEL 1.0 MICROMETER MIN.  
 コイルスプリング: 全面ニッケルメッキ  
 COIL SPRING (ALL AREA): NICKEL PLATING

△ 各ターミナルの接触位置 CONTACT POSITION OF CARD SIDE

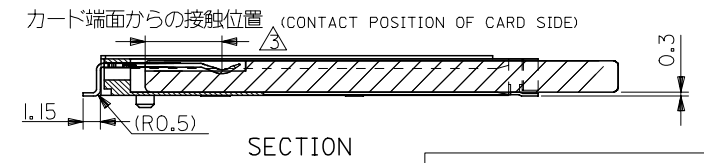
ターミナル No.	接触位置
①	(2.4)
②⑤④①③	(2.9)
③④	(3.4)
⑥	(5.2)

4. テール及び各補強金具の平坦度は、0.1 MAX.  
 TAIL AND NAIL COPLANARITY TO BE 0.1 MAX.

5.

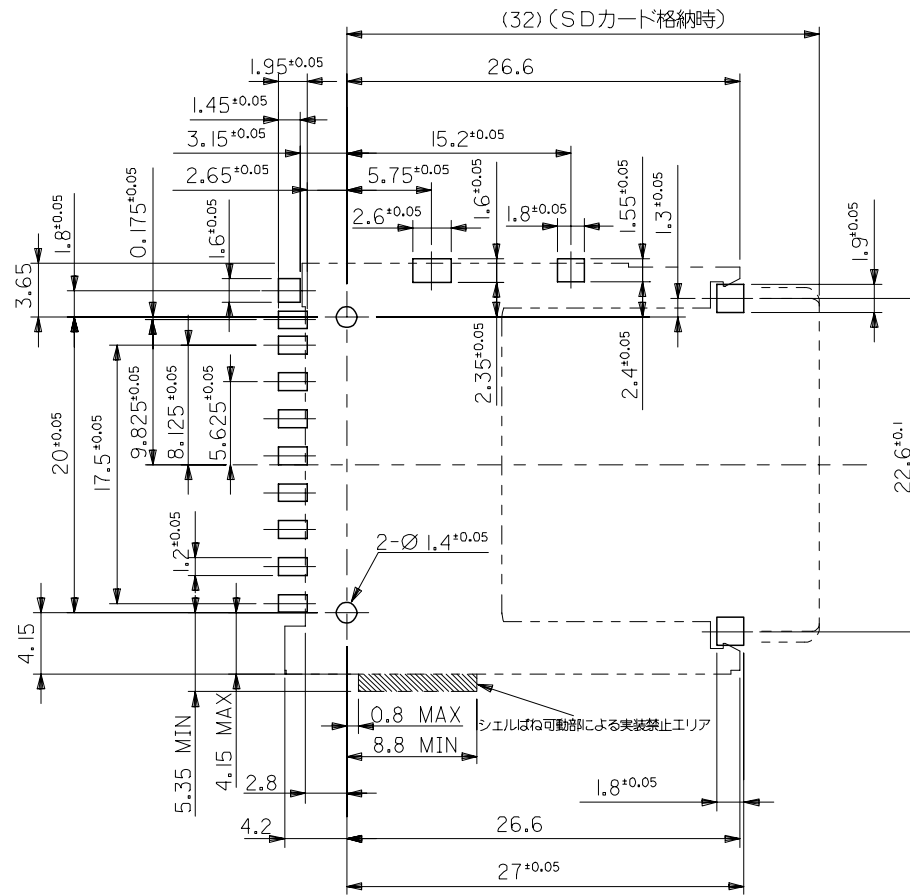
カード装着状態 CARD INSERTION STATE	プロテクトスイッチ PROTECT SWITCH	ディテクトスイッチ DETECT SWITCH
書き込み禁止状態 READ-ONLY	書き込み可能状態 WRITE ENABLE	
カード未装着 WITHOUT CARD	クローズ CLOSE	クローズ CLOSE
カード装着 CARD INSERTED	クローズ CLOSE	オープン OPEN

6. 本製品は54786-\*\*\*31の鉛フリー品である。  
 THIS PRODUCT IS LEAD FREE OF 54786-\*\*\*31.

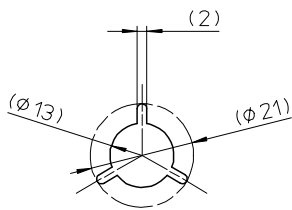
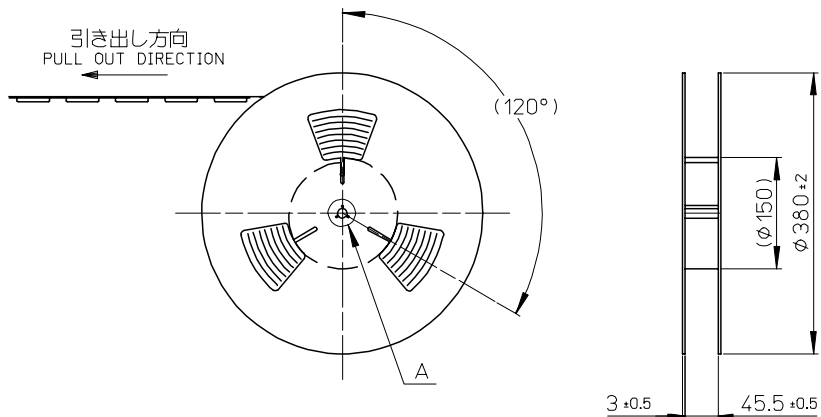


REVISED EC NO: J2005-3724 DRWN: OTANI CHKD: NUKITA APPR: NUKITA	GENERAL TOLERANCES (UNLESS SPECIFIED)		DIMENSION STYLE MM ONLY		SCALE 3-1	DESIGN UNITS METRIC	THIRD ANGLE PROJECTION
	10 UNDER	±0.2	DRAWN BY Y. WADA	DATE 2004/5/17	TITLE SD CARD CONN. PUSH/PUSH & REVERSE SALES DRAWING -LEAD FREE-		
	10 OVER 30 UNDER	±0.25	CHECKED BY M. SASAO	DATE 2004/5/17	MOLEX MOLEX INCORPORATED		
	30 OVER	±0.3	APPROVED BY M. SASAO	DATE 2004/5/17	MATERIAL NO. SEE CHART	DOCUMENT NO. SD-54786-020	SHEET NO. 1 OF 2
A	ANGULAR ±3 °		SIZE A3		THIS DRAWING CONTAINS INFORMATION THAT IS PROPRIETARY TO MOLEX INCORPORATED AND SHOULD NOT BE USED WITHOUT WRITTEN PERMISSION		

MATERIAL  
 注記参照



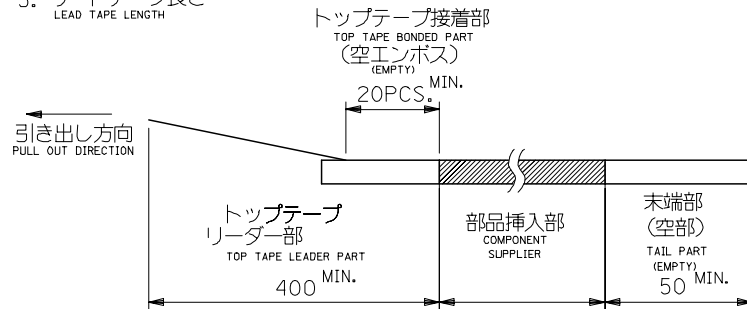
REVISED EC NO: J2005-3724 DRWN: OTANI 2005/06/27 CHKD: NUKITA 2005/06/27 APPR: NUKITA 2005/06/27 A	GENERAL TOLERANCES (UNLESS SPECIFIED)		DIMENSION STYLE MM ONLY		SCALE 3-1	DESIGN UNITS METRIC	THIRD ANGLE PROJECTION	
	10 UNDER	±0.2	DRAWN BY Y. WADA		TITLE SD CARD CONN. PUSH/PUSH & REVERSE SALES DRAWING -LEAD FREE-			
	10 OVER 30 UNDER	±0.25	CHECKED BY M. SASAO		DATE 2004/5/17			
	30 OVER	±0.3	APPROVED BY M. SASAO		DATE 2004/5/17			
	ANGULAR	±3 °	MATERIAL NO. SEE CHART		DOCUMENT NO. SD-54786-020		SHEET NO. 2 OF 2	
DRAFT WHERE APPLICABLE MUST REMAIN WITHIN DIMENSIONS			SIZE A3		THIS DRAWING CONTAINS INFORMATION THAT IS PROPRIETARY TO MOLEX INCORPORATED AND SHOULD NOT BE USED WITHOUT WRITTEN PERMISSION			



DETAIL A  
SCALE 1:1

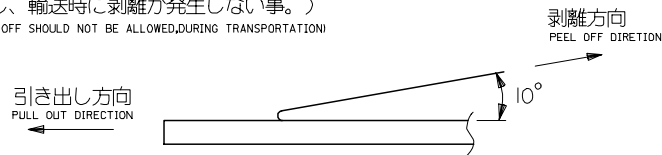
注)  
NOTES

- 製品番号 54786-0939の詳細寸法については、SD図面を参照下さい。  
IN THE PACKAGE, PART NO. 54794-0939 DETAILED DIMENSIONS, SEE SALES DRAWING.
- 梱包数量 : 400 個/リール  
NUMBER OF CONNECTORS : 400 PCS/REEL
- リードテープ長さ  
LEAD TAPE LENGTH



- トップテープの剥離強度 : (剥離方向は下図参照)  
PEELING OFF FORCE OF TOP TAPE (PEELING DIRECTION AS SHOWN IN FOLLOWING FIG.)  
0. 1~1. 3N {10~130gf} : キャリアテープ幅 44mm  
CARRIER TAPE WIDTH 44mm

尚、本規格値は、出荷時に適用。  
THIS REQUIREMENT SHOULD BE APPLIED AT SHIPMENT  
(但し、輸送時に剥離が発生しない事。)  
(PEEL OFF SHOULD NOT BE ALLOWED DURING TRANSPORTATION)

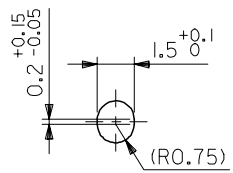


- 材料  
MATERIAL  
キャリアテープ : ポリプロピレン (PP)  
CARRIER TAPE : POLYPROPYLENE (PP)  
トップテープ : PET, PE, PEF  
TOP TAPE : PET, PE, PEF  
リール : 紙  
REEL : CARD BOARD

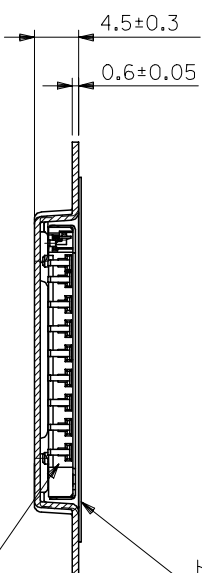
- 本製品は 54786-\*\*91 の鉛フリー品である。  
THIS PRODUCT IS LEAD FREE OF 54786-\*\*91.

54786-0971	54786-**71
MATERIAL No.	MODEL No.

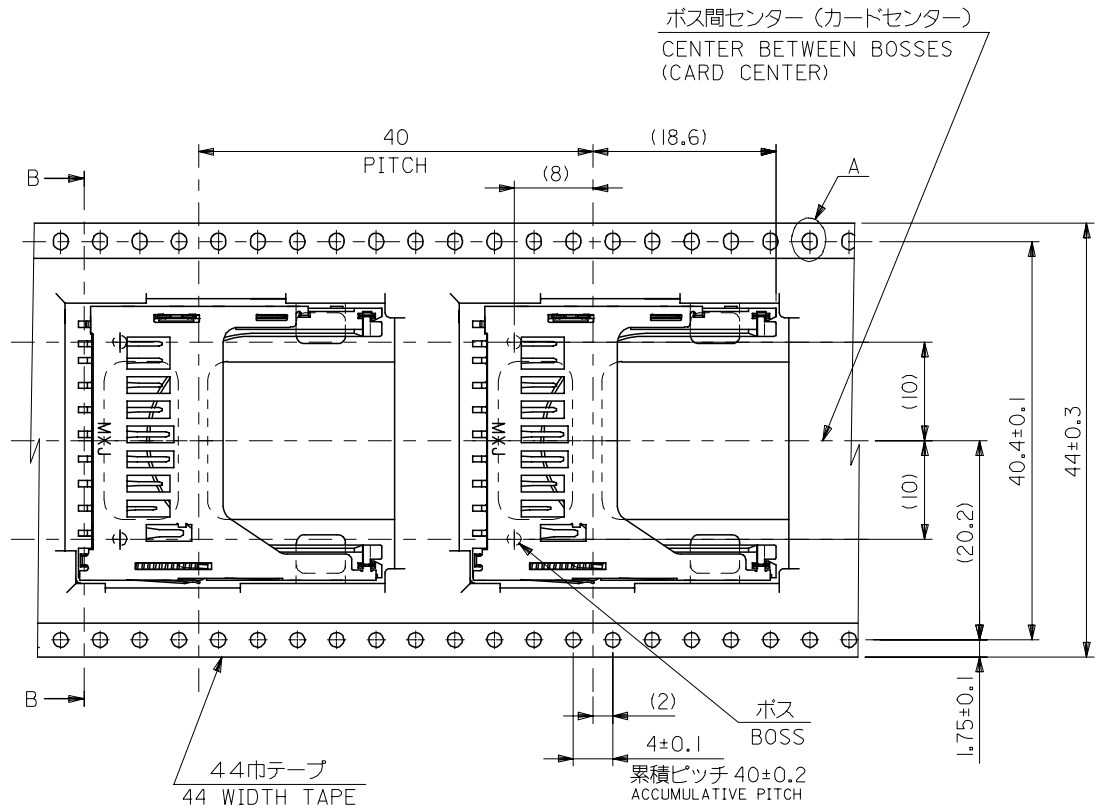
REVISED EC No: J2005-0694 DRAWN: KSETO 2004/09/17 CHKD: MIYAZAWA 2004/09/17 APPR: MIYAZAWA 2004/09/29	GENERAL TOLERANCES (UNLESS SPECIFIED)		DIMENSION STYLE MM ONLY		SCALE ---	DESIGN UNITS METRIC	THIRD ANGLE PROJECTION	
	10 UNDER	±0.2	DRAWN BY YWADA	DATE 04/05/17	TITLE 54786-0939 TAPING PACKAGE -LEAD FREE-			
	10 OVER 30 UNDER	±0.25	CHECKED BY MSASAO	DATE 04/05/17				
	30 OVER	±0.3	APPROVED BY MSASAO	DATE 04/05/17	MOLEX INCORPORATED			
	ANGULAR	±3 °	MATERIAL NO.	DOCUMENT NO.				
DRAFT WHERE APPLICABLE MUST REMAIN WITHIN DIMENSIONS		SEE CHART		SD-54786-021		1 OF 2		
SIZE A3 THIS DRAWING CONTAINS INFORMATION THAT IS PROPRIETARY TO MOLEX INCORPORATED AND SHOULD NOT BE USED WITHOUT WRITTEN PERMISSION								



DETAIL A  
(5-1)



SECTION B-B



54786-\*\*\*71  
MODEL No.

REVISED EC NO: J2005-0694 DRAWN BY: DRWNGKSETO 2004/09/17 CHKD: MIYAZAWA 2004/09/17 APPR: MIYAZAWA 2004/09/29	GENERAL TOLERANCES (UNLESS SPECIFIED)		DIMENSION STYLE MM ONLY		SCALE ---	DESIGN UNITS METRIC	THIRD ANGLE PROJECTION	
	10 UNDER	±0.2	DRAWN BY YWADA	DATE 04/05/17	TITLE <b>54786-0939 TAPING PACKAGE -LEAD FREE-</b>			
	10 OVER 30 UNDER	±0.25	CHECKED BY MSASAO	DATE 04/05/17				
	30 OVER	±0.3	APPROVED BY MSASAO	DATE 04/05/17	<b>MOLEX INCORPORATED</b>			
	ANGULAR	±3 °	MATERIAL NO.	DOCUMENT NO. SD-54786-021				
DRAFT WHERE APPLICABLE MUST REMAIN WITHIN DIMENSIONS		SIZE A3		THIS DRAWING CONTAINS INFORMATION THAT IS PROPRIETARY TO MOLEX INCORPORATED AND SHOULD NOT BE USED WITHOUT WRITTEN PERMISSION				