

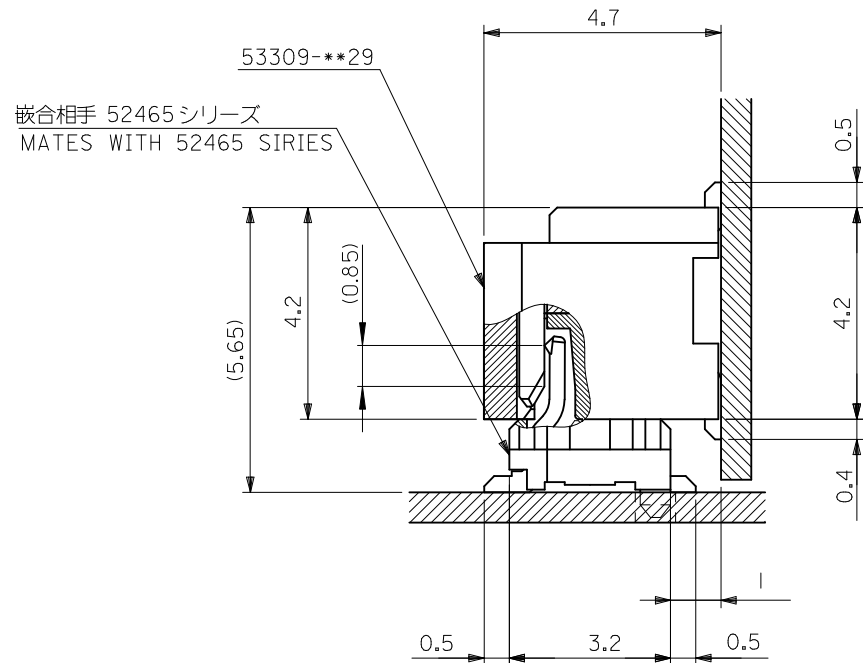
0.4	17.8	16.9	15.2	53309-4029	40	
0.8	17.0	16.1	14.4	-3829	38	
0.4	16.2	15.3	13.6	-3629	36	
0.8	15.4	14.5	12.8	-3429	34	
0.4	14.6	13.7	12.0	-3229	32	
0.8	13.8	12.9	11.2	-3029	30	
0.4	13.0	12.1	10.4	-2829	28	
0.8	12.2	11.3	9.6	-2629	26	
0.4	11.4	10.5	8.8	-2429	24	
0.8	10.6	9.7	8.0	-2229	22	
0.4	9.8	8.9	7.2	-2029	20	
0.8	9.0	8.1	6.4	-1829	18	
0.4	8.2	7.3	5.6	-1629	16	
0.8	7.4	6.5	4.8	-1429	14	
0.4	6.6	5.7	4.0	-1229	12	
53309-**29	0.8	5.8	4.9	3.2	53309-1029	10
MODEL NO.	D	C	B	A	MATERIAL NO.	極数 CKT.

注記 NOTES

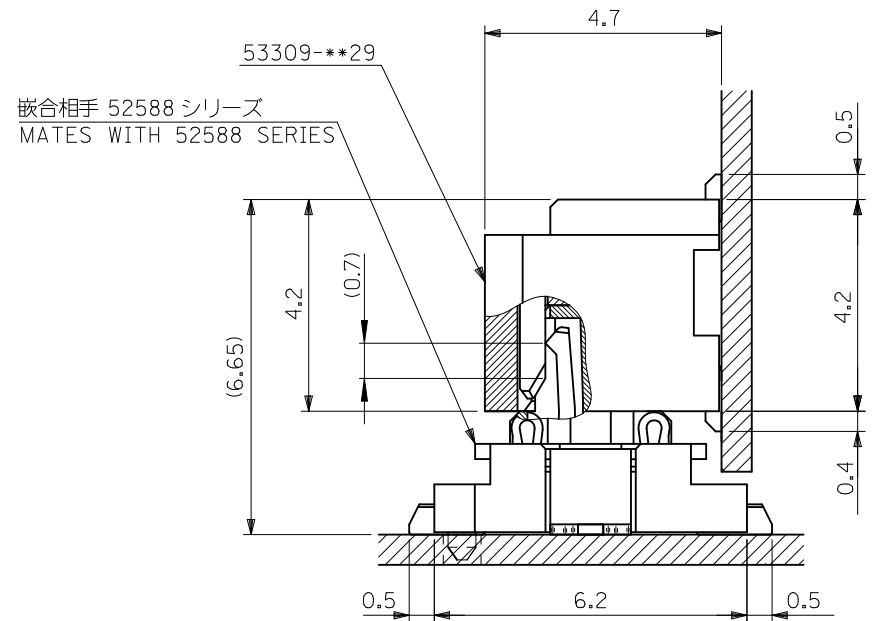
1. 嵌合相手: 52465,52588 シリーズ
MATE WITH : 52465,52588 SERIES
2. ウェハーの C から隣接するピンの C 迄の位置を示す。
SHOW POSITION FROM C OF WAFER TO C OF ADJACENT PINS.
3. 本製品は 53309-**27 の鉛フリー品である。
THIS PRODUCT IS LEAD FREE OF 53309-**27

REVISED EC NO: J2010-1285 DRWN: YON002 2009/12/17 CHKD: SMARUYAMA 2009/12/17 APPR: SMARUYAMA 2009/12/17	GENERAL TOLERANCES (UNLESS SPECIFIED)		DIMENSION STYLE MM ONLY		SCALE ---	DESIGN UNITS METRIC	THIRD ANGLE PROJECTION
	10 UNDER	±0.2	DRAWN BY M. NINOMIYA	DATE 2004/03/10	TITLE 0.8 B/B CONN.WAFER ASS'Y R/A SMT(WITHOUT BOSS)		
	10 OVER 30 UNDER	±0.25	CHECKED BY K. TOJO	DATE 2004/03/10	MOLEX INCORPORATED		
	30 OVER	±0.3	APPROVED BY M. SASAO	DATE 2004/03/10	DOCUMENT NO. SD-53309-011		
REV	DESCRIPTION	ANGULAR ±3 °	DRAFT WHERE APPLICABLE MUST REMAIN WITHIN DIMENSIONS		SIZE A3	SHEET NO. 1 OF 2	

THIS DRAWING CONTAINS INFORMATION THAT IS PROPRIETARY TO MOLEX INCORPORATED AND SHOULD NOT BE USED WITHOUT WRITTEN PERMISSION



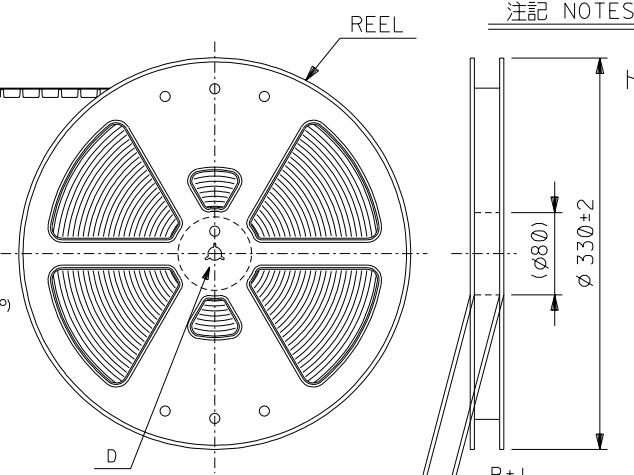
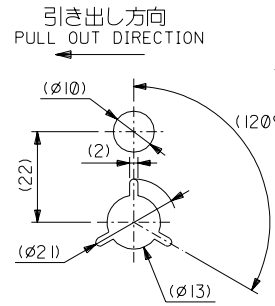
嵌合状態図 (参考)
 MATED DRAWING(REF.)



嵌合状態図 (参考)
 MATED DRAWING(REF.)

REVISED EC NO: J2010-1285 DRWN: YON002 CHKD: SMARUYAMA APPR: SMARUYAMA	DESCRIPTION REV	GENERAL TOLERANCES (UNLESS SPECIFIED)		DIMENSION STYLE MM ONLY		SCALE ---	DESIGN UNITS METRIC	THIRD ANGLE PROJECTION	
		10 UNDER	±0.2	DRAWN BY M. NINOMIYA	DATE 2004/03/10	TITLE 0.8 B/B CONN. WAFER ASS'Y R/A SMT(WITHOUT BOSS)			
		10 OVER 30 UNDER	±0.25	CHECKED BY K. TOJO	DATE 2004/03/10	MOLEX INCORPORATED			
		30 OVER	±0.3	APPROVED BY M. SASAO	DATE 2004/03/10	MATERIAL NO. SEE SHEET 1		DOCUMENT NO. SD-53309-011	SHEET NO. 2 OF 2
ANGULAR ±3 °		DRAFT WHERE APPLICABLE MUST REMAIN WITHIN DIMENSIONS		THIS DRAWING CONTAINS INFORMATION THAT IS PROPRIETARY TO MOLEX INCORPORATED AND SHOULD NOT BE USED WITHOUT WRITTEN PERMISSION					

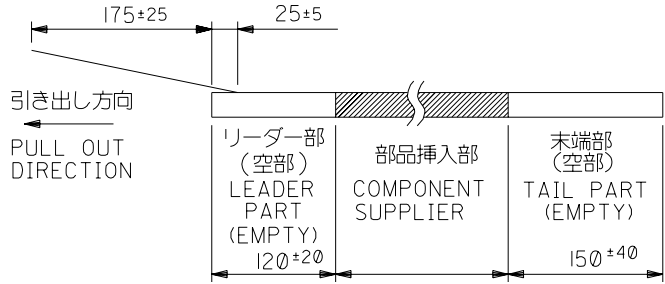
DWG. NO.
SD-53309-012



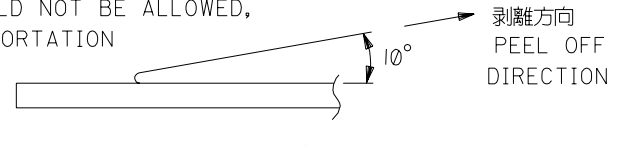
注記 NOTES

- 梱包数量：1000個/リール NUMBER OF CONNECTORS:1000PCS/REEL
- リードテープ長さ LEAD TAPE LENGTH

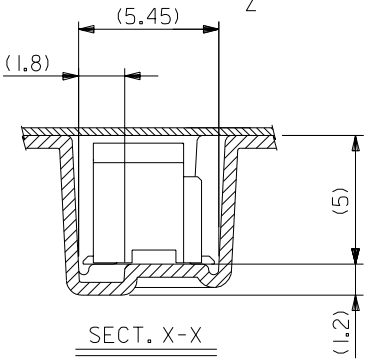
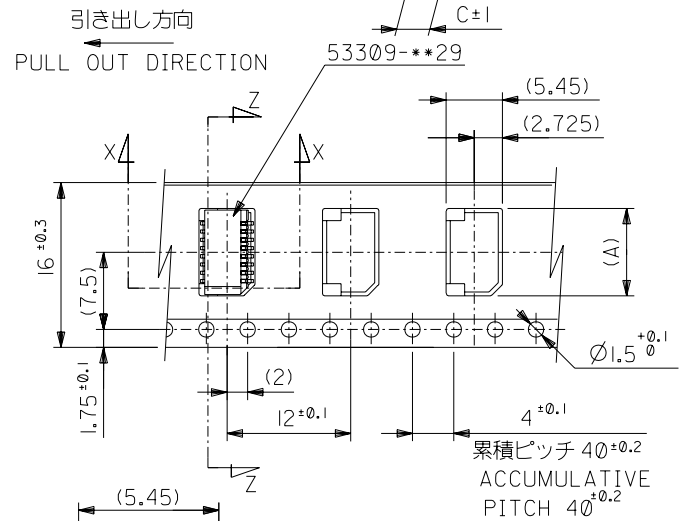
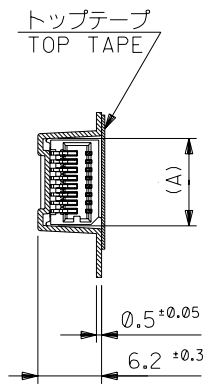
トップテープ TOP TAPE
リーダー部 LEADER PART
未接着部 NON-BONDED PART



- トップテープの剥離強度：(剥離方向は下図参照)
0.1N~1.3N{10gf~130gf}尚、本規格値は、出荷時に適用。
(但し、輸送時に剥離が発生しない事。)
PEELING OFF FORCE OF TOP TAPE
0.1N~1.3N{10gf~130gf} (PEELING DIRECTION AS SHOWN IN FOLLOWING FIG.)
THIS REQUIREMENT SHOULD BE APPLIED AT SHIPMENT
PEEL OFF SHOULD NOT BE ALLOWED,
DURING TRANSPORTATION

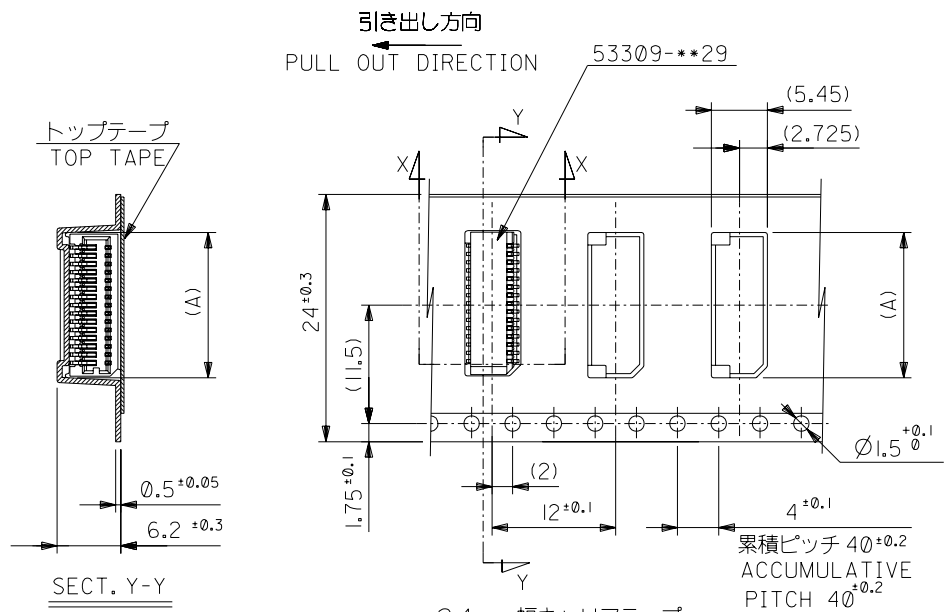


- 材料
キャリアテープ：ポリプロピレン (PP)
トップテープ：PET, PE, PEF
リール：ポリスチレン (PS)
MATERIAL
<リサイクル材を含む>
CARRIER TAPE:POLYPROPYLENE
TOP TAPE:PET,PE,PEF
REEL:POLYSTYRENE(PS)
<RECYCLE MATERIAL CONTAINED>
- 本製品は 53309-**91 の鉛フリー品である。
THIS PRODUCT IS LEAD FREE OF 53309-**91.

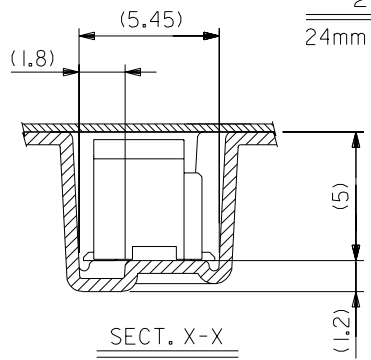


16	21.4	17.4	9.3	53309-1870	18
			8.5	53309-1670	16
			7.7	53309-1470	14
			6.9	53309-1270	12
			6.1	53309-1070	10
キャリアテープ幅 CARRIER TAPE WIDTH	C	B	(A)	MATERIAL NO.	極数 CIRCUIT

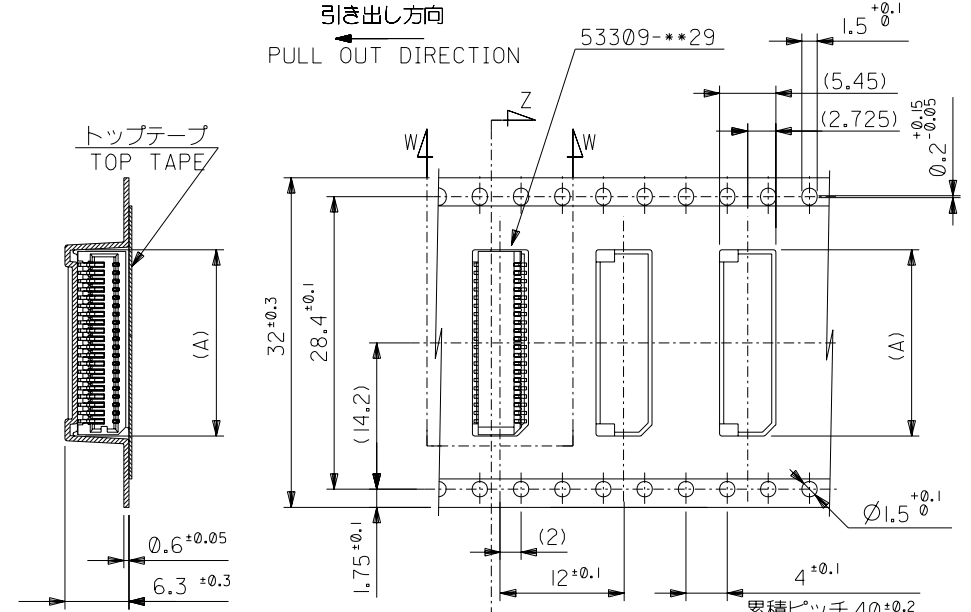
53309-**70		材料 MATERIAL		注記参照 SEE NOTES		MATERIAL NO.	
MODEL NO.		仕上げ FINISH		—		REVISE ONLY ON CAD SYSTEM	
角度 ANGLE		適用電線範囲 WIRE RANGE		—		TITLE 名称	
30以上 OVER		被覆外径 INS. RANGE		—		0.8 BtB Conn Wafer Assy	
10以上 OVER 30 UNDER		DRAWN BY 04/03/10		CHK'D BY 04/03/10		RA SMT Without Boss	
未満 10 UNDER		M.N. M.NINOMIYA		K.T. K.TOJO		Embstp Pkg	
—		DR. 日付		尺度 SCALE		—	
一般公差 GENERAL TOLERANCES		記号 LTR		変更内容 REVISION RECORD		DWG. NO. (SHEET 1 OF 2)	
		DR. 日付		尺度 SCALE		REV	
		DR. 日付		尺度 SCALE		SD-53309-012	
		DR. 日付		尺度 SCALE		0	



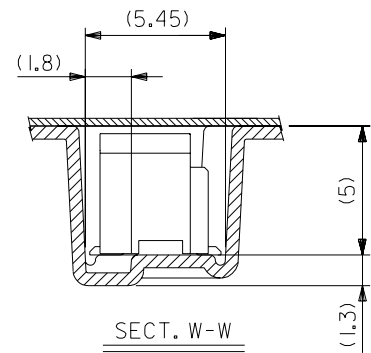
24mm幅キャリアテープ
24mm WIDTH CARRIER TAPE



SECT. X-X



32mm幅キャリアテープ
32mm WIDTH CARRIER TAPE



SECT. W-W

24	29.4	25.4	16.5	53309-3670	36
			15.7	53309-3470	34
			14.9	53309-3270	32
			14.1	53309-3070	30
			13.3	53309-2870	28
			12.5	53309-2670	26
			11.7	53309-2470	24
			10.9	53309-2270	22
10.1	53309-2070	20			
キャリアテープ幅 CARRIER TAPE WIDTH	C	B	(A)	MATERIAL NO.	極数 CIRCUIT

53309-***70		M.N.	
MODEL NO.		DR. / CHK.	DATE
角度 ANGLE	+3°		
30以上 OVER	+0.3		
10以上 30未満 UNDER	+0.25		
未満 10 UNDER	+0.2		
一般公差 GENERAL TOLERANCES	記号 LTR	変更内容 REVISION RECORD	日付 DATE

32	37.4	33.4	18.1	53309-4070	40
キャリアテープ幅 CARRIER TAPE WIDTH	C	B	(A)	MATERIAL NO.	極数 CIRCUIT
			17.3	53309-3870	38

材料 MATERIAL
SHEET 1 OF 2 参照 REFER TO SHEET 1 OF 2

仕上げ FINISH —

適用電線範囲 WIRE RANGE —

被覆外径 INS. RANGE —

DRAWN BY 04/03/10 M.NINOMIYA
CHK'D BY 04/03/10 K.TOJO

APP'D BY 04/03/10 M.SASAO

尺度 SCALE —

材料 MEX
MOLEX-JAPAN CO.,LTD.
日本モレックス株式会社

REVISE ONLY ON CAD SYSTEM

TITLE 名称
0.8 BtB Wafer Assy
RA SMT Without Boss
Embstp Pkg
-LEAD FREE-

DWG. NO. (SHEET 2 OF 2) REV 0
SD-53309-012