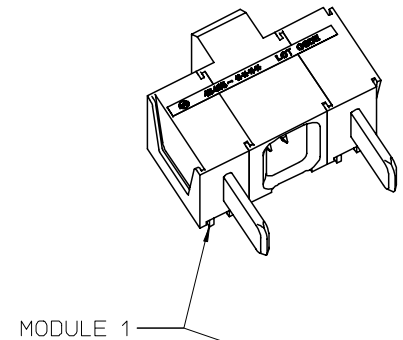
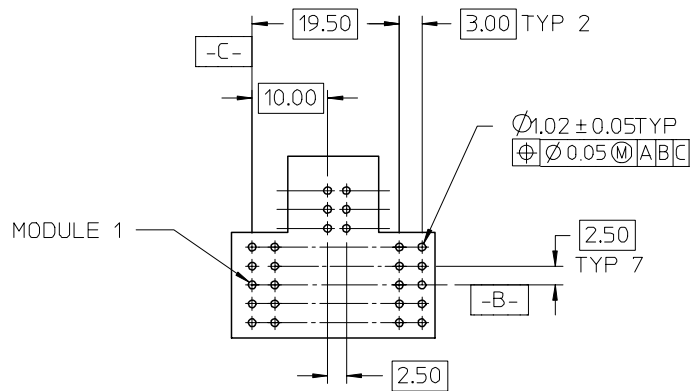
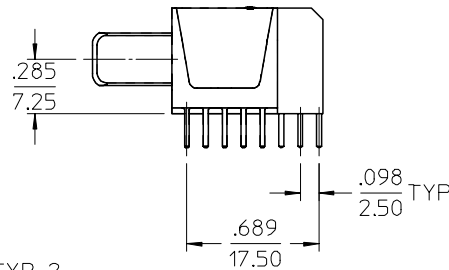
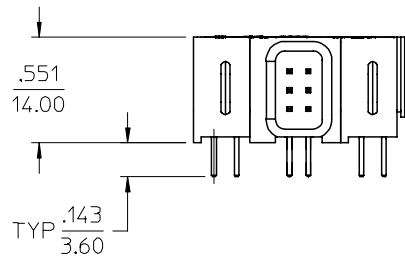
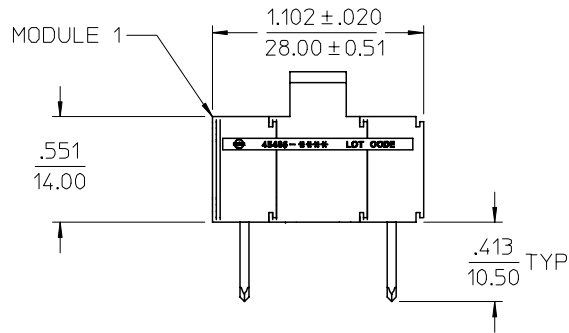


NOTES:

- 1. MATERIAL: LCP, GLASS FILLED, UL94V-0, BLACK.
CONTACTS: COPPER ALLOY
- 2. FINISH: SELECT GOLD: 30 MI MIN.
SELECT TIN: 100 MI MIN.
BOTH OVER NICKEL
- 3. PRODUCT SPECIFICATION: PS-45424-001.
- 4. PACKAGING SPECIFICATION: PK-45485-001.



PD 105	PD 314	PD 105
--------	--------	--------

PCB LAYOUT: COMPONENT SIDE
PCB THICKNESS: .093/2.36
PCB TOLERANCE: ±.002/0.05

EC NO: UCP2005-2576
DRWN: ADRA/TND/2005/07/07
CHKD: KSAMEC 2005/07/08
APPR: APATEL 2005/07/19

DESCRIPTION
REV

GENERAL TOLERANCES (UNLESS SPECIFIED)

	mm	INCH
4 PLACES	± ---	± ---
3 PLACES	± ---	± .010
2 PLACES	± 0.25	± .015
1 PLACE	± 0.38	± ---

ANGULAR ±1/2°

DRAFT WHERE APPLICABLE
MUST REMAIN WITHIN DIMENSIONS

SCALE
1:1

DESIGN UNITS
METRIC

DIMENSION STYLE
IN/MM
DRAWN BY DATE
SAMIEC 2004/03/05
CHECKED BY DATE
SAMIEC 2004/03/05

APPROVED BY DATE
MARGULIS 2004/03/05

THIS DRAWING CONTAINS INFORMATION THAT IS PROPRIETARY TO MOLEX INCORPORATED AND SHOULD NOT BE USED WITHOUT WRITTEN PERMISSION

THIRD ANGLE PROJECTION

REVISE ON CAD ONLY

TITLE
POWER DOCK ASSEMBLY
POWER
RIGHT ANGLE SOLDER TAIL

MOLEX INCORPORATED

MATERIAL NO. 45485-0081
DOCUMENT NO. SD-45485-081
SHEET NO. 1 OF 1