

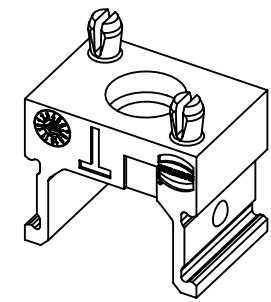
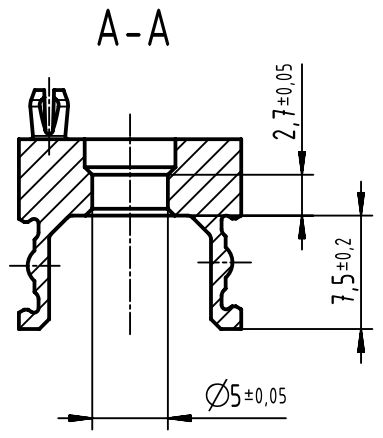
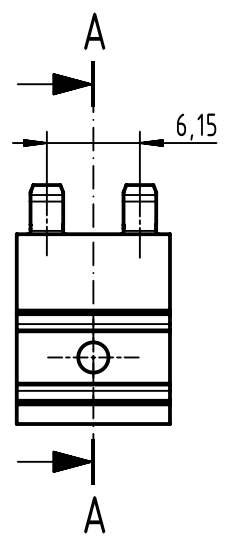
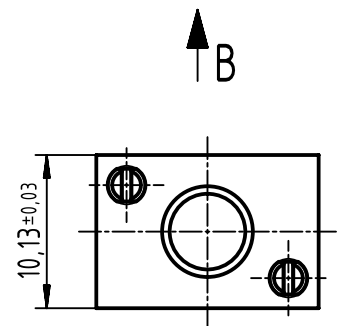
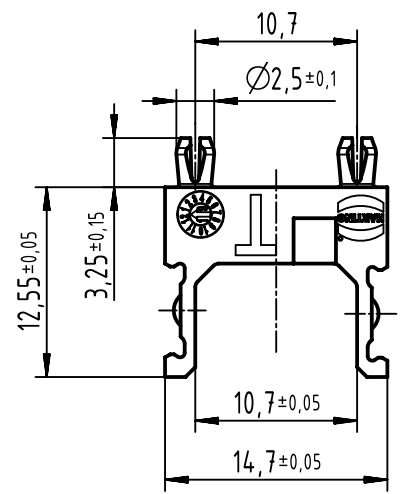
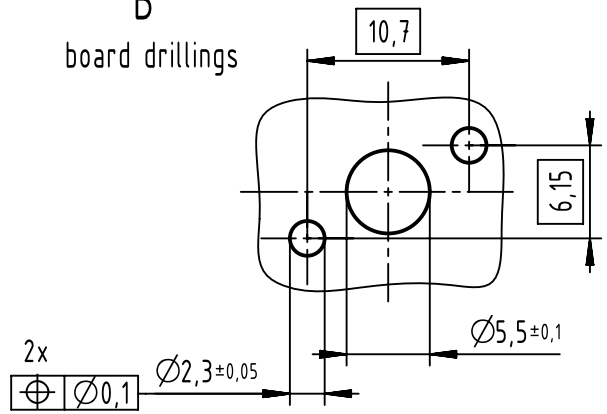
A

B

C

D

B  
board drillings



	All rights reserved Department EL PD	All Dimensions in mm Original Size DIN A4		Scale 2:1	Free size tol.	Ref. Sub.
		HARTING Electronics GmbH D-32339 Espelkamp	Created by HASELOH	Inspected by WOLF	Standardisation KOHLER	Date 2020-09-25
Title har-modular T-module male straight with pin					Doc-Key / ECM-Nr. 100827770/UGD/001/C 500000178555	
Type TB			Number 02539000003		Rev. C	Page 1/1