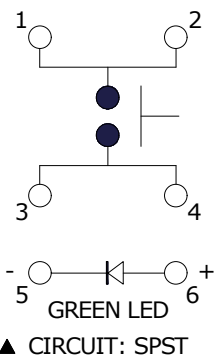
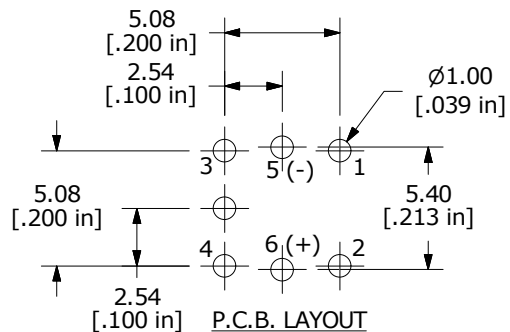
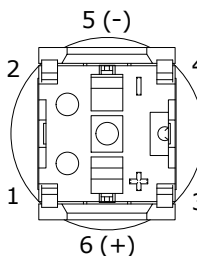
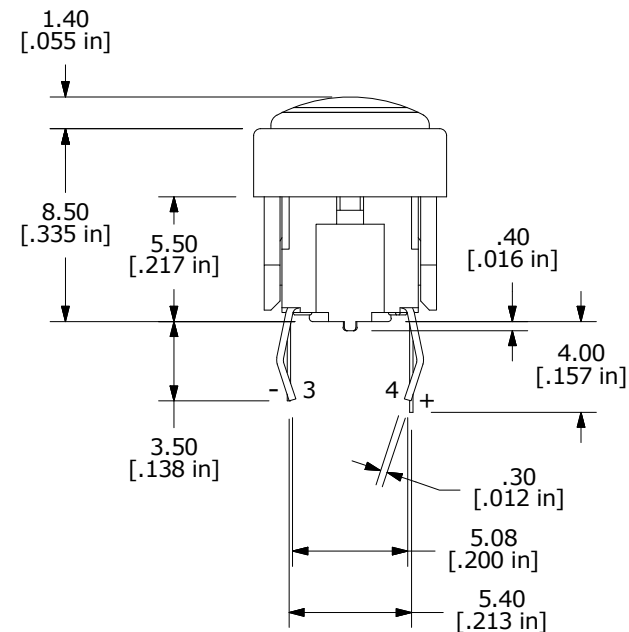
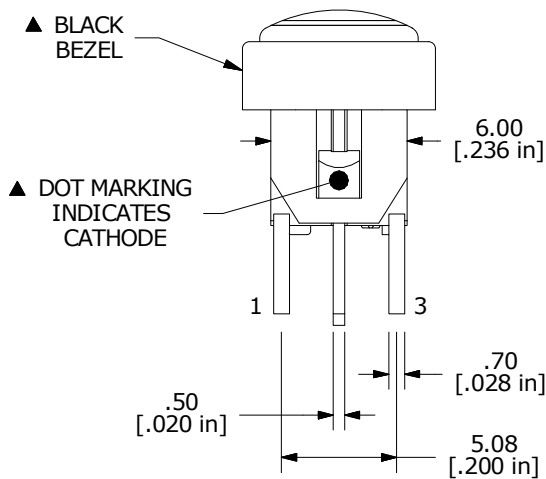
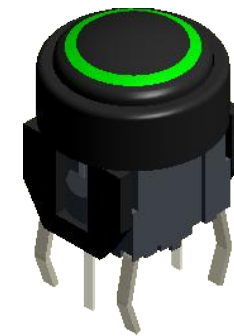
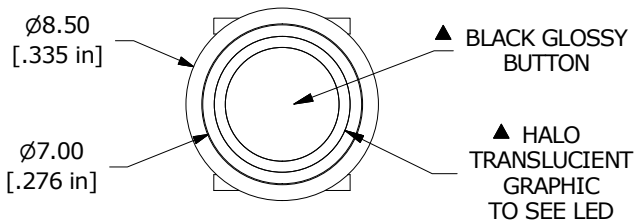


▲ LED SPECS	UNITS	GREEN
FORWARD CURRENT	mA	20
FORWARD VOLTAGE @ 20mA	V	2.1 typ. -2.5 max.
LUMINOUS INTENSITY @ 20mA	mcd	55 typ.



- NOTES:
1. ALL DIMENSIONS IN MM [INCH]
  2. GENERAL TOLERANCE: X.X = ±0.4  
X.XX = ±0.25
  3. RATING: 12VDC @ 50mA
  4. CONTACT RESISTANCE: 100 Milli-OHMS MAX.
  5. INSULATION RESISTANCE: 100 Mega-OHMS MIN.
  - ▲ 6. OPERATING FORCE: 180± 50gf
  7. TRAVEL: 0.2± 0.1mm
  8. OPERATING TEMPERATURE: -40°C to 85°C
  9. OPERATING LIFE: 500,000 CYCLES
  - ▲ 10. LED: GREEN
  11. ▲ DENOTES CRITICAL PARAMETERS
  12. 2011/65/EU (ROHS) COMPLIANT
  13. PARTS TO BE PACKAGE 100 PARTS PER TRAY.



REV	PCR NO	DESCRIPTION	DATE	BY
C	22934	add Glossy Button as 2nd description	7/20/17	MW
B	22268	UPDATE DRAWING	4/14/16	MW
A	18431	Release for Production	3/4/09	BLR



TITLE TL1220R1BBBG-HALO (Glossy Button)				
SCALE	DATE	DR	DWG	REV
3:1	3/4/2009	BLR	B260007	C

THE INFORMATION CONTAINED IN THIS DOCUMENT IS PROPRIETARY TO E-SWITCH AND IS NOT TO BE COPIED OR TRANSFERRED