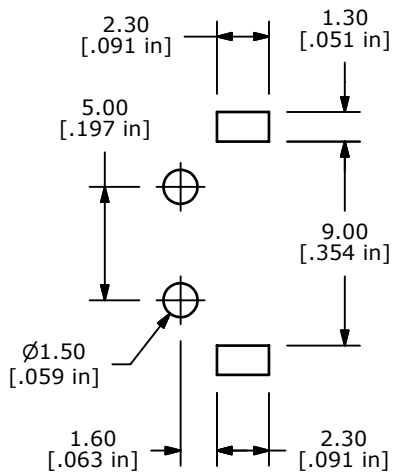
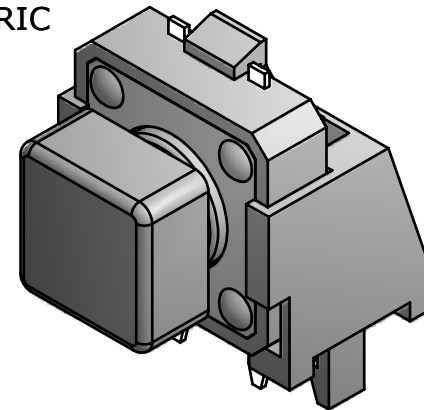


ISOMETRIC



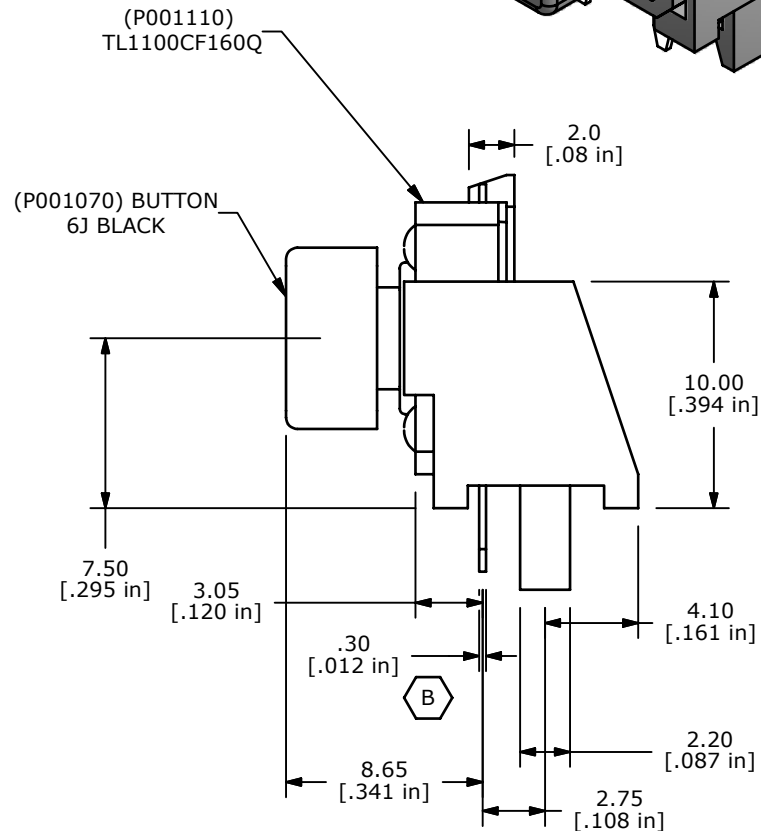
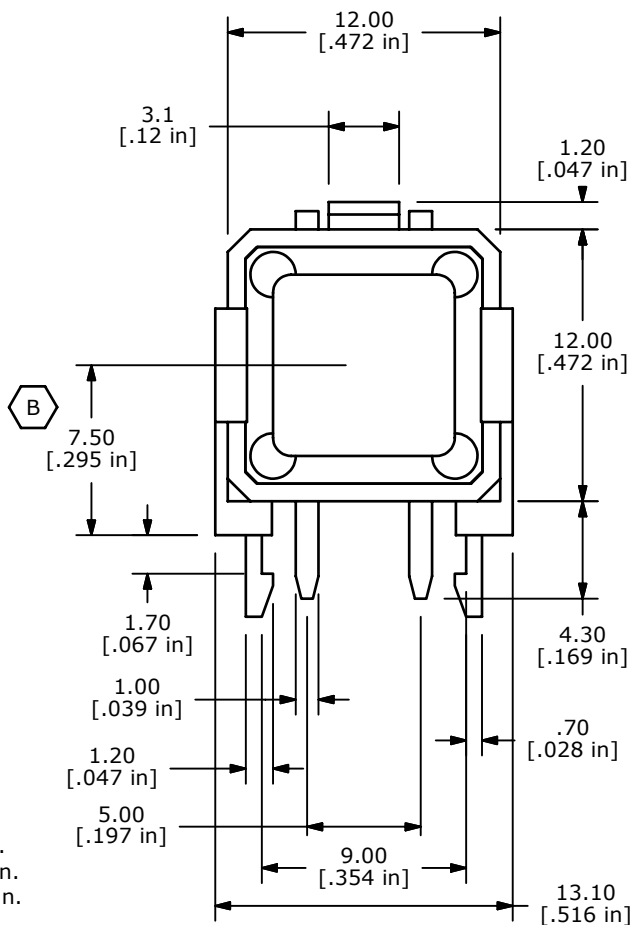
P.C. MOUNTING



CIRCUIT: SPST

NOTES:

1. ALL DIMENSIONS IN MM [INCH]
2. GENERAL TOLERANCE: X.X = `0.4  
X.XX = `0.25
3. TERM. NOS. FOR REF. ONLY
- ▲4. RATING: 50mA @12VDC
5. CONTACT MATERIAL: SILVER
6. TRAVEL: 0.3 ±0.15mm
- ▲7. OPERATING FORCE: 160 ± 50gf
8. CONTACT RESISTANCE: 100 mΩ max.
9. ELECTRICAL LIFE: 100,000 CYCLES min.
10. DIELECTRIC STRENGTH: 250V RMS min.
11. INSULATION RESISTANCE: 100 mΩ min.
12. ▲ DENOTES CRITICAL DIMENSION
13. 2002/95/EC (ROHS) COMPLIANT



B	17963	REDRAWN, CORRECTED DIMENSIONS	2/11/08	BLR
REV	PCR NO	DESCRIPTION	DATE	BY

TITLE TL1100CF160Q (6J BLK)				
SCALE	DATE	DR	DWG	REV
3:1	2/11/2008	BLR	XP0100A	B

THE INFORMATION CONTAINED IN THIS DOCUMENT IS PROPRIETARY TO E-SWITCH AND IS NOT TO BE COPIED OR TRANSFERRED