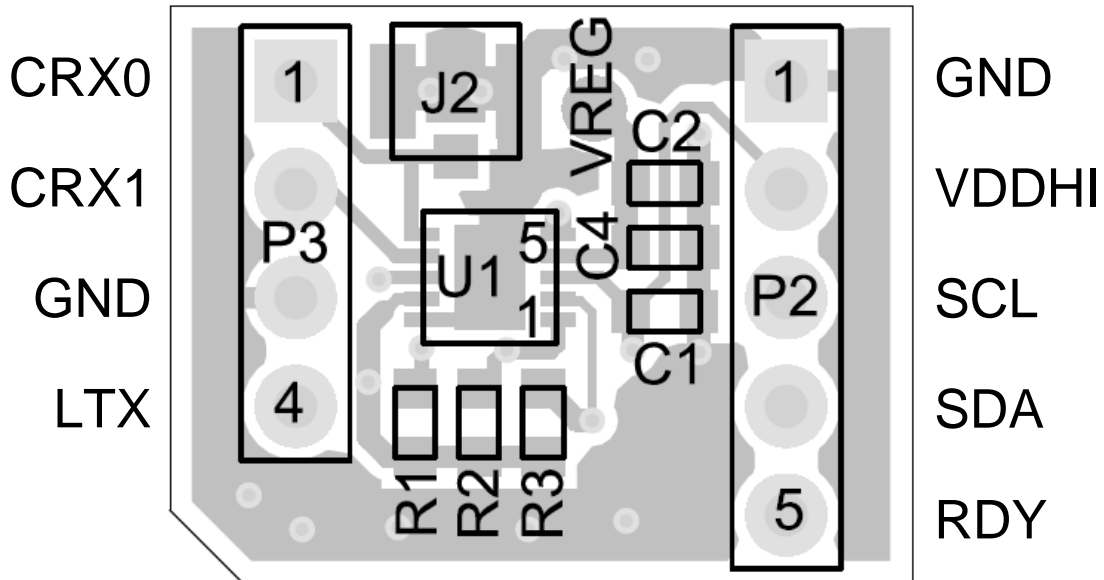




IQS620AEV01 Quick Start

Combination sensor with dual channel capacitive proximity/touch, Hall-effect sensor and inductive sensing



Uses:

- Self – Capacitive
- SAR (Quick Release)
- **Inductive**
- Hall Switch

