

PART NO.	A98181-021	REV	ECO	DATE	APP
		A	102791	08-09-16	HV

**MATERIALS**

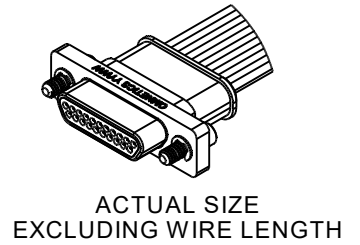
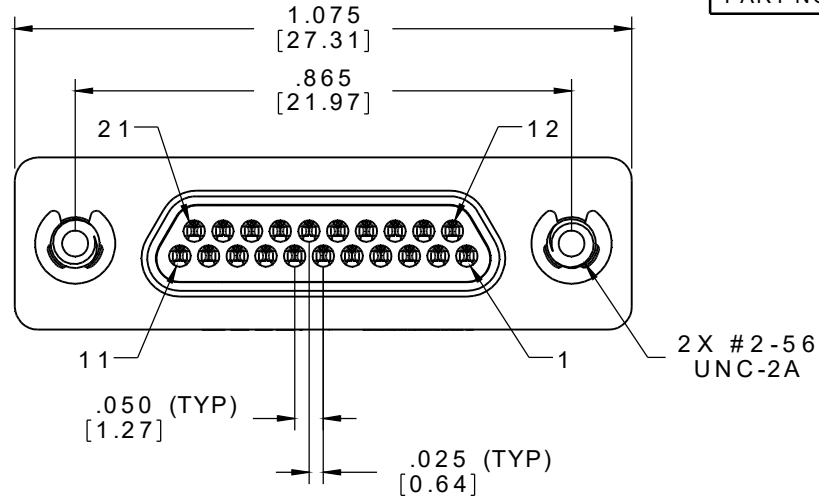
**HOUSING:**  
ALUMINUM 6061-T6, NICKEL  
PLATE PER SAE-AMS-2404

**INSULATOR:**  
LIQUID CRYSTAL POLYMER  
(LCP) PER ASTM D5138

**CONTACT:**  
BERYLLIUM COPPER PER  
ASTM B194, C17200, GOLD  
PLATED PER ASTM B488,  
(HARD GOLD) TYPE II CODE  
C, CLASS 1.27

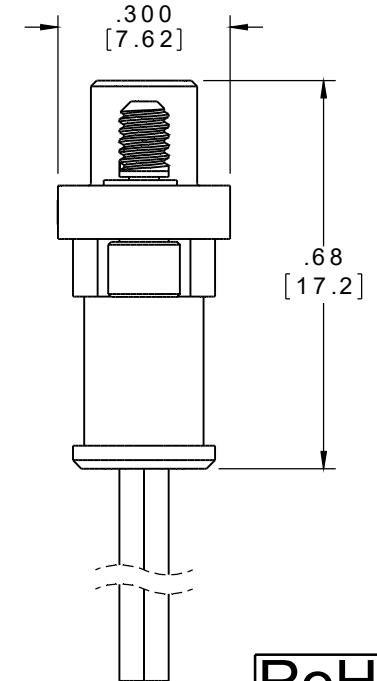
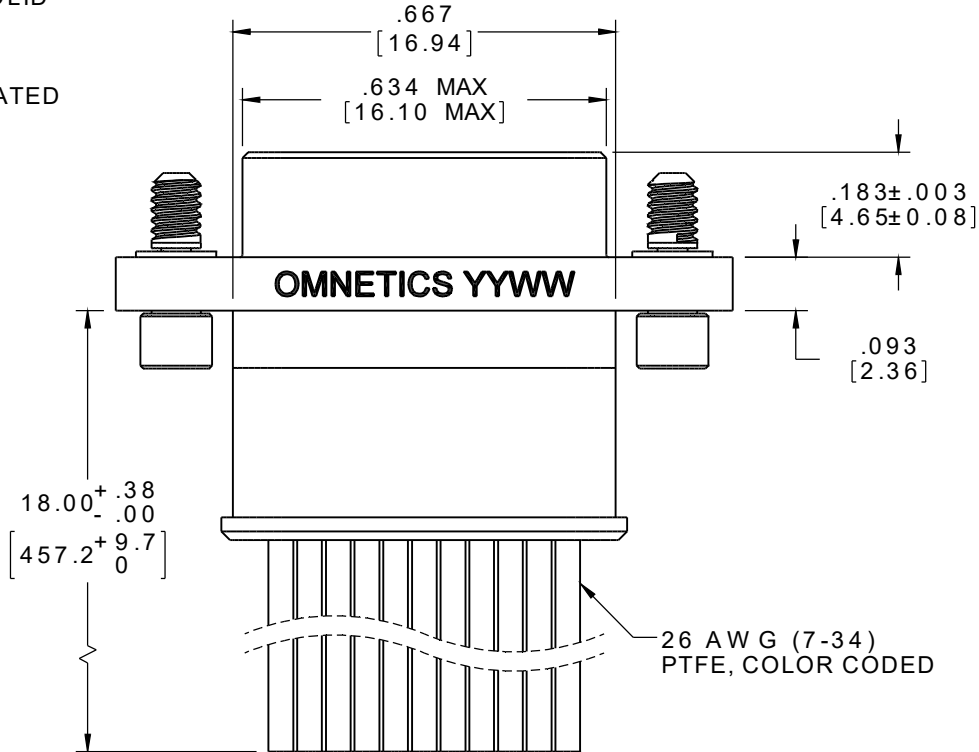
**WIRE:**  
NEMA HP3 TYPE E, COLOR  
CODED IAW MIL-STD-681,  
SYSTEM 1, USING TEN SOLID  
REPEATING COLORS

**HARDWARE:**  
STAINLESS STEEL, PASSIVATED  
PER SAE-AMS-2700



PIN #	COLOR
1, 11, 21	BLACK
2, 12	BROWN
3, 13	RED
4, 14	ORANGE
5, 15	YELLOW
6, 16	GREEN
7, 17	BLUE
8, 18	VIOLET
9, 19	GRAY
10, 20	WHITE

**INTERNAL USE ONLY**  
USE MFG LOADING  
PROCEDURE MMDP-021



26 AWG (7-34)  
PTFE, COLOR CODED

**RoHS**

**NOTE:**

DIMENSIONS IN [ ] ARE IN  
MILLIMETERS UNLESS  
OTHERWISE NOTED AND ARE  
FOR REFERENCE ONLY

MMDP SLDW	THIRD ANGLE
	-TOLERANCES-
	UNLESS OTHERWISE NOTED
	DIMENSIONS IN INCHES
	2 PL DEC ± .01
	3 PL DEC ± .005
	4 PL DEC ± .0005
	ANGLES ± 1°

THIS DRAWING CONTAINS CONFIDENTIAL AND PROPRIETARY INFORMATION WHICH IS THE PROPERTY OF OMNETICS CONNECTOR CORP. THIS DOCUMENT MAY NOT, IN WHOLE OR IN PART, BE DUPLICATED, OR DISCLOSED FOR ANY PURPOSE, WITHOUT WRITTEN PERMISSION FROM OMNETICS CONNECTOR CORP.	
DFTM. HV	DATE 05-27-16
CHK'D.	DATE
APP'D.	DATE
TITLE: (21) PIN MALE MICRO-D CONNECTOR W/ JACKSCREWS	

**OMNETICS**  
CONNECTOR CORPORATION  
7260 COMMERCE CIRCLE EAST  
MINNEAPOLIS, MN 55432  
WWW.OMNETICS.COM

CAGE CODE 61873	
DWG NO. A98181-021	
SHEET 1 OF 1	REV A
SCALE: 3:1	