

ITEM	PART#	DESCRIPTION	QTY	UOM
A	2059792061	M-ONE 2.0 RECHSG 6CKT BK	1	PC
B	561349001	2.0 WTB CONN CRIMP REC AWG#22-#24 CHAIN	6	PC
C	--	PAPER PRINTED PAPER WHITE	1	PC

FROM	TO	DESCRIPTION	COLOR
A1	--	1X22AWG DISC PVC BK UL1569 HOOKUP	BLACK
A2	--	1X22AWG DISC PVC BK UL1569 HOOKUP	BLACK
A3	--	1X22AWG DISC PVC BK UL1569 HOOKUP	BLACK
A4	--	1X22AWG DISC PVC BK UL1569 HOOKUP	BLACK
A5	--	1X22AWG DISC PVC BK UL1569 HOOKUP	BLACK
A6	--	1X22AWG DISC PVC BK UL1569 HOOKUP	BLACK

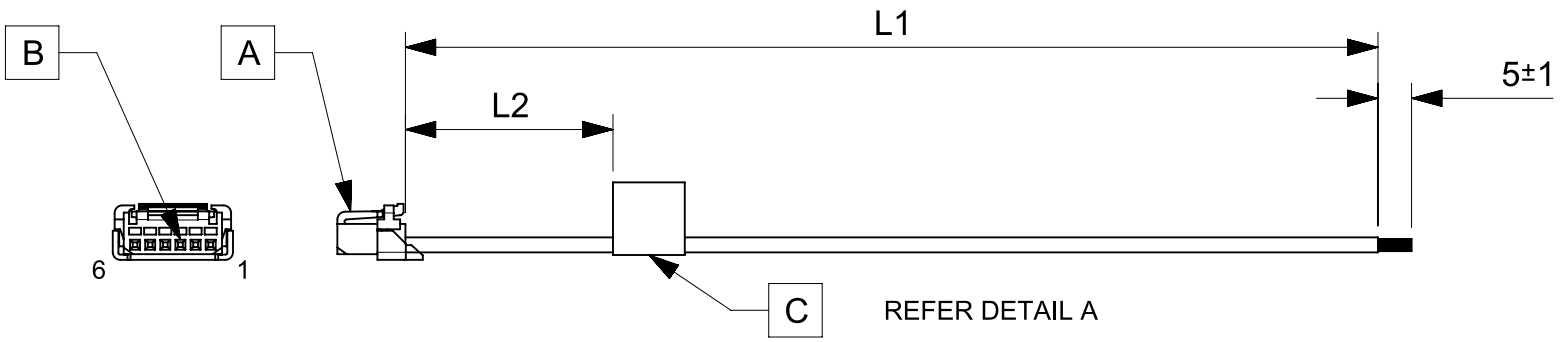


TABLE			
PART NUMBER	L1	L2 (REF)	TITLE
2196531060	50±3	15	Micro-One ISL R-S 6ckt 50mm disc Sn
2196531061	100±3	15	Micro-One ISL R-S 6ckt 100mm disc Sn
2196531062	150±4	15	Micro-One ISL R-S 6ckt 150mm disc Sn
2196531063	300±4	15	Micro-One ISL R-S 6ckt 300mm disc Sn
2196531064	600±6	15	Micro-One ISL R-S 6ckt 600mm disc Sn

NOTES

1. Connector view shown is from mating side.
2. Label text must be 2mm max. in height with Arial font.
3. Label must be wrapped in Flag type on a single cable.
4. Free ends must be stripped, twisted & tinned. The length of tinning is 5±1mm. Tinning Dia must be 0.9 mm Max.

MOLEX P/N
MOLEX
BATCH WK/YR
DETAIL A

REVISION			
DATE	REV	DESCRIPTION	CHANGER
2021/12/27	A	INITIAL RELEASE	SAIKIG

FUNCTIONAL SYMBOLS $\frac{E}{A} = 0$ $\frac{E}{E} = 0$ $\frac{E}{P} = 0$ DIVISIONAL SYMBOLS	DIMENSION UNITS: mm SCALE: NTS		CURRENT REV DESC:					
	GENERAL TOLERANCES (UNLESS SPECIFIED)		EC NO: 690621 DRWN: SAIKIG 2021/12/25 CHK'D: MNARAYAN01 2022/01/11 APPR: MNARAYAN01 2022/01/11			SEE TABLE		
	ANGULAR TOL ± °		INITIAL REVISION:					
	4 PLACES ± 3 PLACES ± 2 PLACES ± 1 PLACE ± 0 PLACES ±		DRWN: SAIKIG 2021/12/25 APPR: MNARAYAN01 2022/01/11			PRODUCT CUSTOMER DRAWING		
DRAFT WHERE APPLICABLE MUST REMAIN WITHIN DIMENSIONS		THIRD ANGLE PROJECTION	DRAWING: A4-SIZE	SERIES: 219653	DOCUMENT NUMBER: 2196531060	DOC TYPE: PSD	DOC PART: 000	REVISION: A