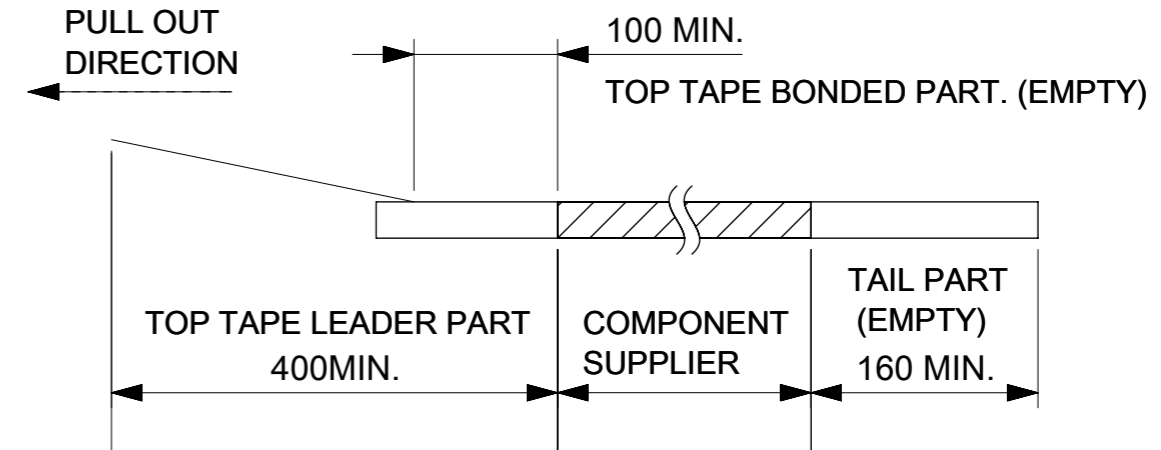
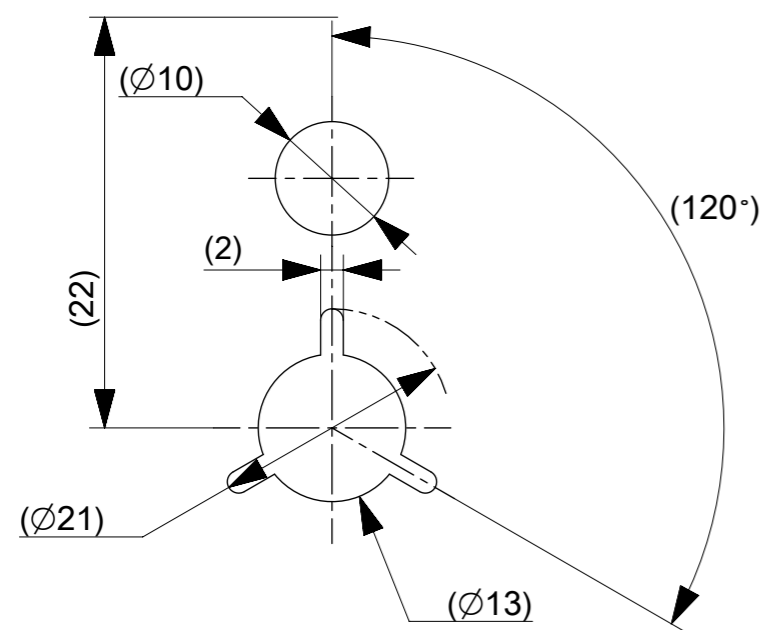


NOTES

1. RE DETAILED DIMENSION, SEE PRODUCT DRAWING.
2. NUMBER OF CONNECTORS : 20000PCS/REEL
3. LEAD TAPE LENGTH.

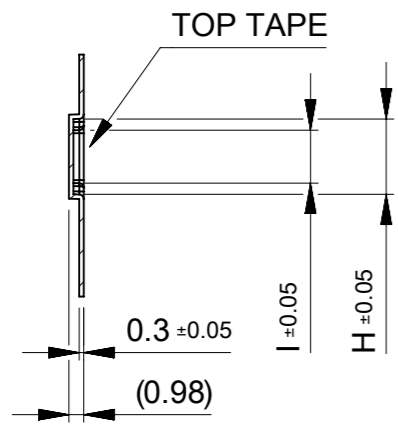


4. PEELING OFF FORCE OF THE TOP TAPE IS DEFINED BY IEC60286-3.
5. MATERIAL
 CARRIER TAPE : POLYSTYRENE OR PET
 TOP TAPE : PET , OTHER
 REEL : POLYSTYRENE (PS) < RECYCLE MATERIAL CONTAINED >
6. ELV AND RoHS COMPLIANT
 $\triangle 7$ CONFORM TO 2033909200-SPK_PS200 FOR PACKAGING SPECIFICATION.
 $\triangle 8$ CONFORM TO 2033909200-SPK_PS201 FOR PACKAGING SPECIFICATION.

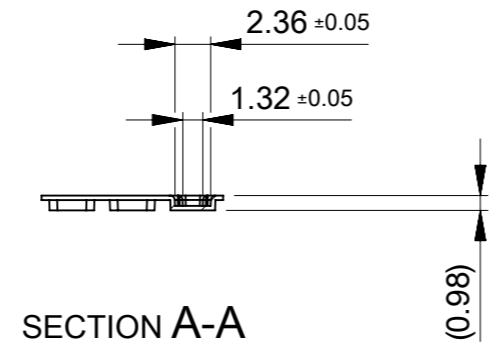
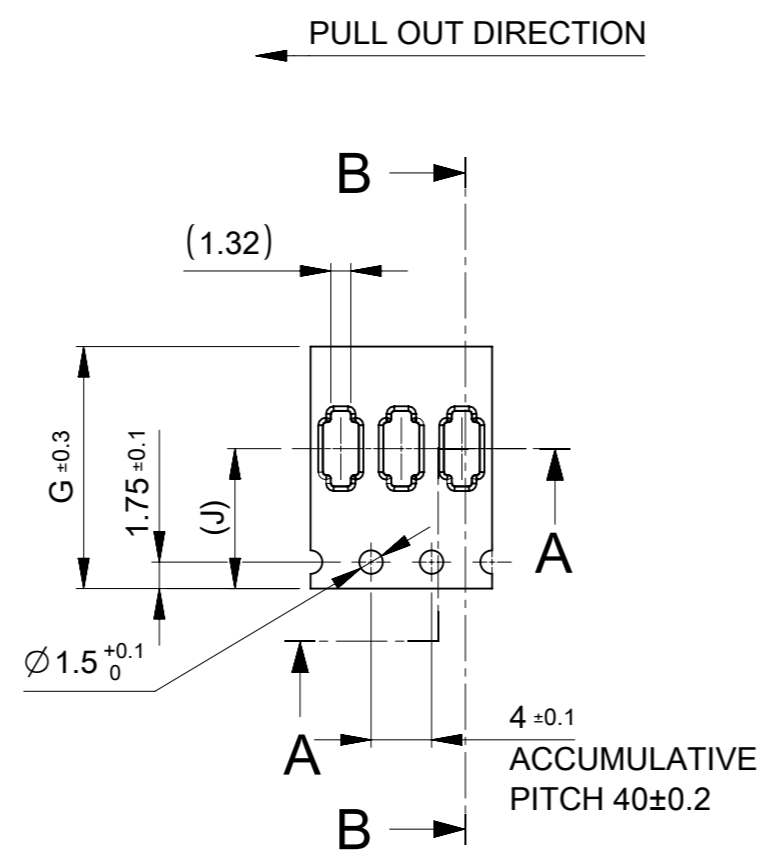


DETAIL "D"

THIS DRAWING CONTAINS INFORMATION THAT IS PROPRIETARY TO MOLEX ELECTRONIC TECHNOLOGIES, LLC AND SHOULD NOT BE USED WITHOUT WRITTEN PERMISSION										
DIMENSION UNITS	SCALE	CURRENT REV DESC:					molex			
mm	1:1									
GENERAL TOLERANCES (UNLESS SPECIFIED)							0.175BB H=0.6 QUADROW PLUG EMBS PACKAGE			
ANGULAR TOL	± 3.0 °						PRODUCT CUSTOMER DRAWING			
4 PLACES	± 0.03	EC NO: 725424				DOCUMENT NUMBER				
3 PLACES	± 0.03	DRWN: AISHII	2022/10/20			2033900000-SD		DOC TYPE	DOC PART	REVISION
2 PLACES	± 0.05	CHK'D: YKOBAYASHI02	2022/10/20					PSD	000	E
1 PLACE	± 0.1	APPR: KSASAKI	2022/10/21							
0 PLACES	± 0.2	INITIAL REVISION:								
DRAFT WHERE APPLICABLE MUST REMAIN WITHIN DIMENSIONS		DRWN: DGONDO	2020/06/25							
		APPR: YKOBAYASHI02	2020/07/07							
		THIRD ANGLE PROJECTION	DRAWING	SERIES	MATERIAL NUMBER	CUSTOMER	SHEET NUMBER			
			A3-SIZE	203390	SEE CHART	GENERAL	1 OF 2			



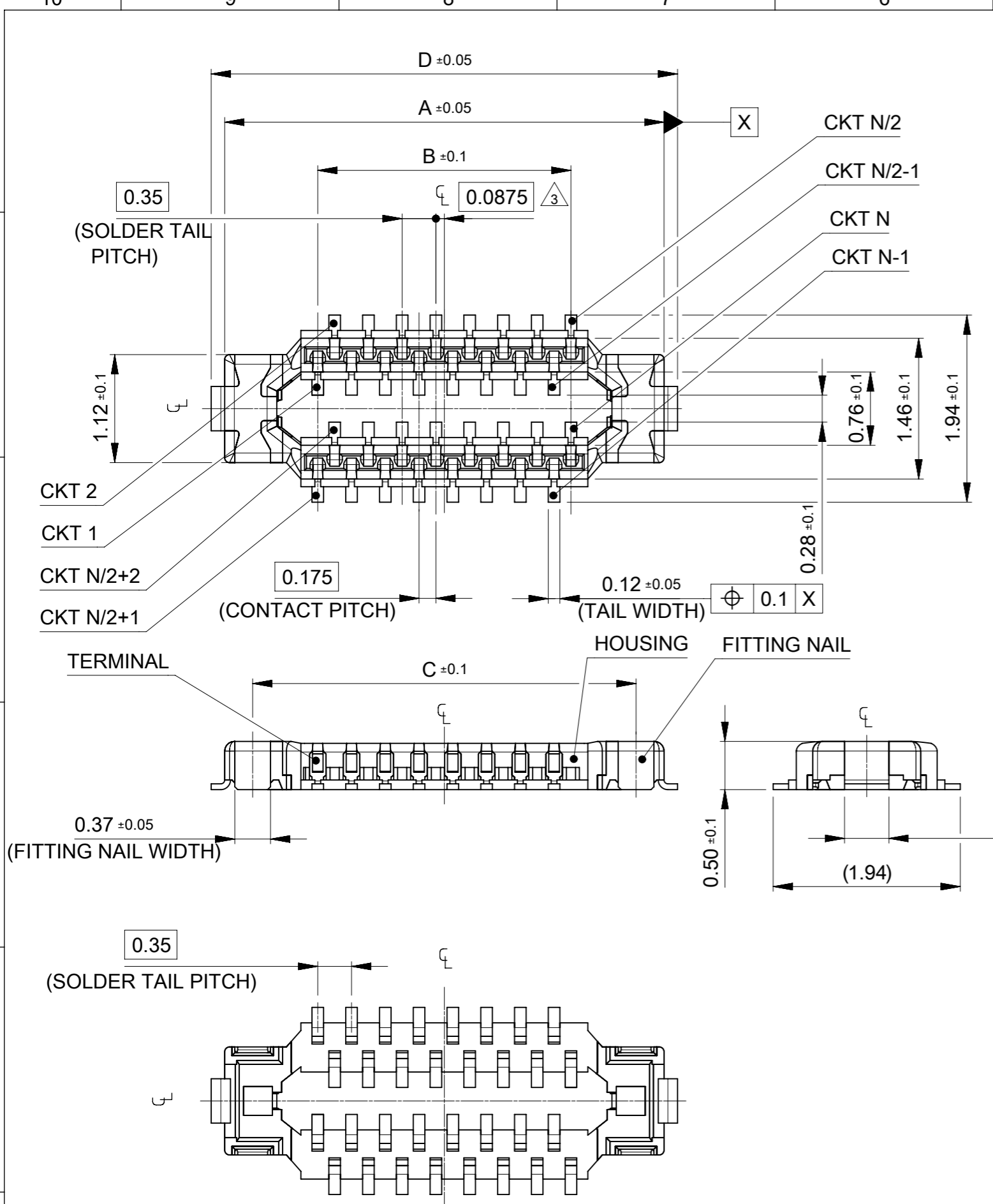
SECTION B-B



SECTION A-A

7.5	3.85	5.325	16	21.4	17.4	2033900363	2033900361	36
7.5	3.5	4.975	16	21.4	17.4	2033900323	2033900321	32
J	I	H	G	F	E	ORDER NO.	ORDER NO.	CIRCUIT
						PACKAGING SPEC: $\triangle 8$	PACKAGING SPEC: $\triangle 7$	
CONNECTOR SERIES No. 2033900***								

THIS DRAWING CONTAINS INFORMATION THAT IS PROPRIETARY TO MOLEX ELECTRONIC TECHNOLOGIES, LLC AND SHOULD NOT BE USED WITHOUT WRITTEN PERMISSION		CURRENT REV DESC:		molex	
DIMENSION UNITS	SCALE				
mm	2:1			0.175BB H=0.6 QUADROW PLUG EMBS PACKAGE	
GENERAL TOLERANCES (UNLESS SPECIFIED)				PRODUCT CUSTOMER DRAWING	
ANGULAR TOL	± 3.0 °			DOCUMENT NUMBER	
4 PLACES	± 0.03	EC NO: 725424		2033900000-SD	
3 PLACES	± 0.03	DRWN: AISHII		PSD	
2 PLACES	± 0.05	CHK'D: YKOBAYASHI02		000	
1 PLACE	± 0.1	APPR: KSASAKI		E	
0 PLACES	± 0.2	INITIAL REVISION:		REVISION	
DRAFT WHERE APPLICABLE MUST REMAIN WITHIN DIMENSIONS		DRWN: DGONDO			
THIRD ANGLE PROJECTION		APPR: YKOBAYASHI02			
DRAWING		SERIES		SHEET NUMBER	
A3-SIZE		203390		2 OF 2	
MATERIAL NUMBER		CUSTOMER			
SEE CHART		GENERAL			



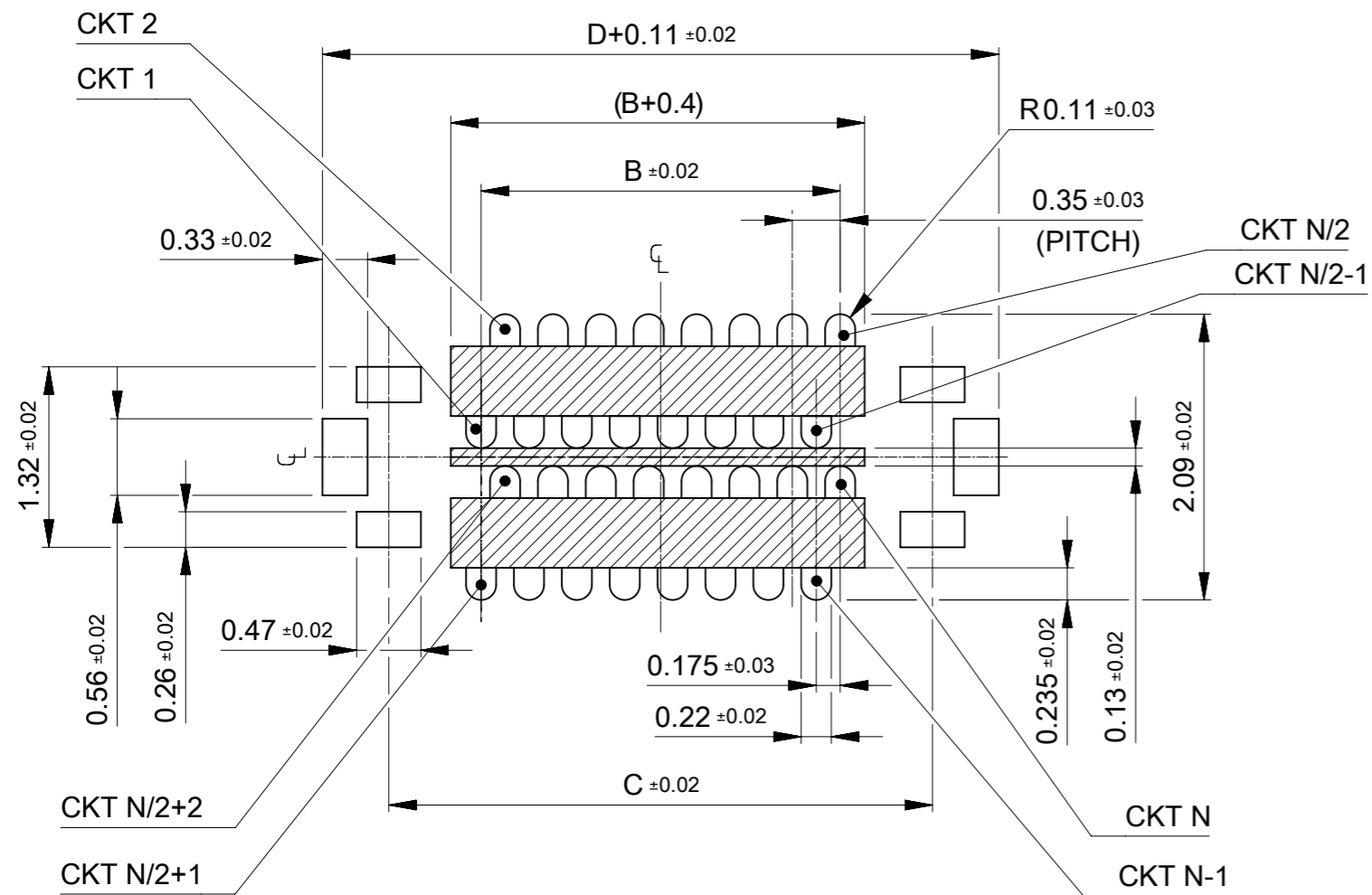
NOTES

- MATERIAL**
 HOUSING : LIQUID CRYSTAL POLYMER UL94V-0(COLOR : BLACK)
 TERMINAL : COPPER ALLOY
 FITTING NAIL : COPPER ALLOY
 - PLATING**
TERMINAL
 CONTACT AREA : GOLD 0.1 μm MIN.
 TAIL AREA : GOLD 0.05 μm MIN.
 UNDER PLATING : NICKEL 1.0 μm MIN.
 *DIVIDE INTO PARTS THE GOLD PLATING OF CONTACT AND THE TAIL PART BY THE NICKEL PLATING.
 *EITHER GOLD OR NICKEL PLATING IS ACCEPTABLE IN THE AREA WHICH IS NOT SPECIFIED AS CONTACT TAIL OR NICKEL BARRIER.
 - FITTING NAIL**
 CONTACT AREA : GOLD 0.1 μm MIN.
 TAIL AREA : GOLD 0.05 μm MIN.
 UNDER PLATING : NICKEL 1.0 μm MIN.
 *DIVIDE INTO PARTS THE GOLD PLATING OF CONTACT AND THE TAIL PART BY THE NICKEL PLATING.
 *EITHER GOLD OR NICKEL PLATING IS ACCEPTABLE IN THE AREA WHICH IS NOT SPECIFIED AS CONTACT TAIL OR NICKEL BARRIER.
- $\triangle 3$ APPLY FOR (CIRCUIT/4)=EVEN
- MATE WITH : 2033890**1, 2033890**3
 - TAIL AND FITTING NAIL COPLANARITY TO BE 0.08mm MAXIMUM.
 - CONFORM TO 2033909200-SPK_PS200 FOR PACKAGING SPECIFICATION.
 - CONFORM TO 2033909200-SPK_PS201 FOR PACKAGING SPECIFICATION.

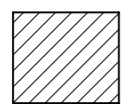
5.185	4.325	2.975	4.905	2033900363	2033900361	36
4.835	3.975	2.625	4.555	2033900323	2033900321	32
D	C	B	A	EMBOSSED TAPE PACKAGE	EMBOSSED TAPE PACKAGE	CIRCUIT
				ORDER No.	ORDER No.	
				PACKAGING SPEC: $\triangle 7$	PACKAGING SPEC: $\triangle 6$	

CONNECTOR SERIES No. : 203390***1

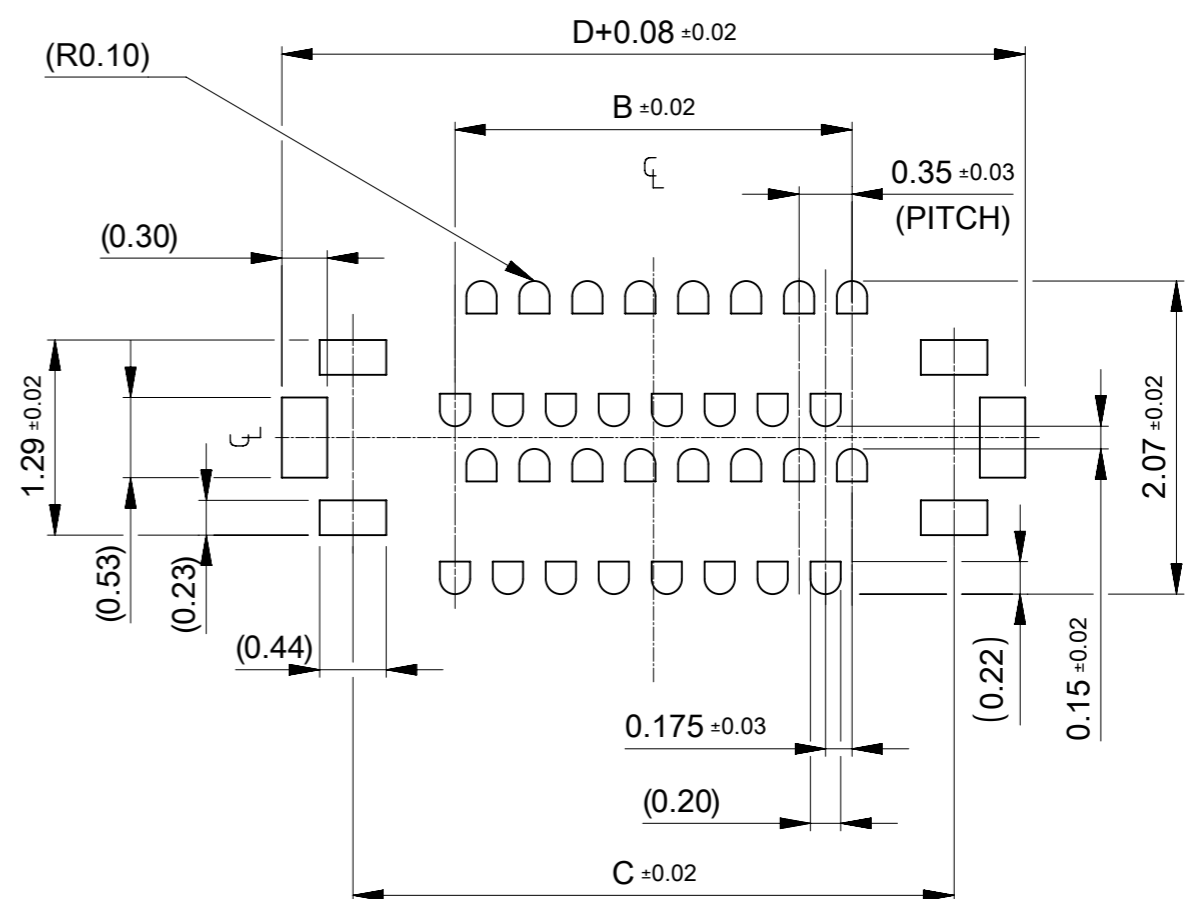
THIS DRAWING CONTAINS INFORMATION THAT IS PROPRIETARY TO MOLEX ELECTRONIC TECHNOLOGIES, LLC AND SHOULD NOT BE USED WITHOUT WRITTEN PERMISSION		CURRENT REV DESC:		molex	
DIMENSION UNITS	SCALE	EC NO: 725424			
mm	20:1	DRWN: AISHII 2022/10/20		0.175 BB H=0.6 QUAD ROW PLUG ASSY	
GENERAL TOLERANCES (UNLESS SPECIFIED)		CHK'D: YKOBAYASHI02 2022/10/20		PRODUCT CUSTOMER DRAWING	
ANGULAR TOL	$\pm 3.0^\circ$	APPR: KSASAKI 2022/10/21		DOCUMENT NUMBER	
4 PLACES	± 0.03	INITIAL REVISION:		DOC TYPE	
3 PLACES	± 0.03	DRWN: DGONDO 2020/06/25		DOC PART	
2 PLACES	± 0.05	APPR: YKOBAYASHI02 2020/07/07		REVISION	
1 PLACE	± 0.1	DRAFT WHERE APPLICABLE MUST REMAIN WITHIN DIMENSIONS		2033901000-SD	
0 PLACES	± 0.2	THIRD ANGLE PROJECTION	DRAWING	SERIES	MATERIAL NUMBER
			A3-SIZE	203390	CUSTOMER
					SEE CHART
					GENERAL
					SHEET NUMBER
					1 OF 2



RECOMMENDED P.W.BOARD PATTERN LAYOUT (REFERENCE)
(SM OPENING DIMENSION)

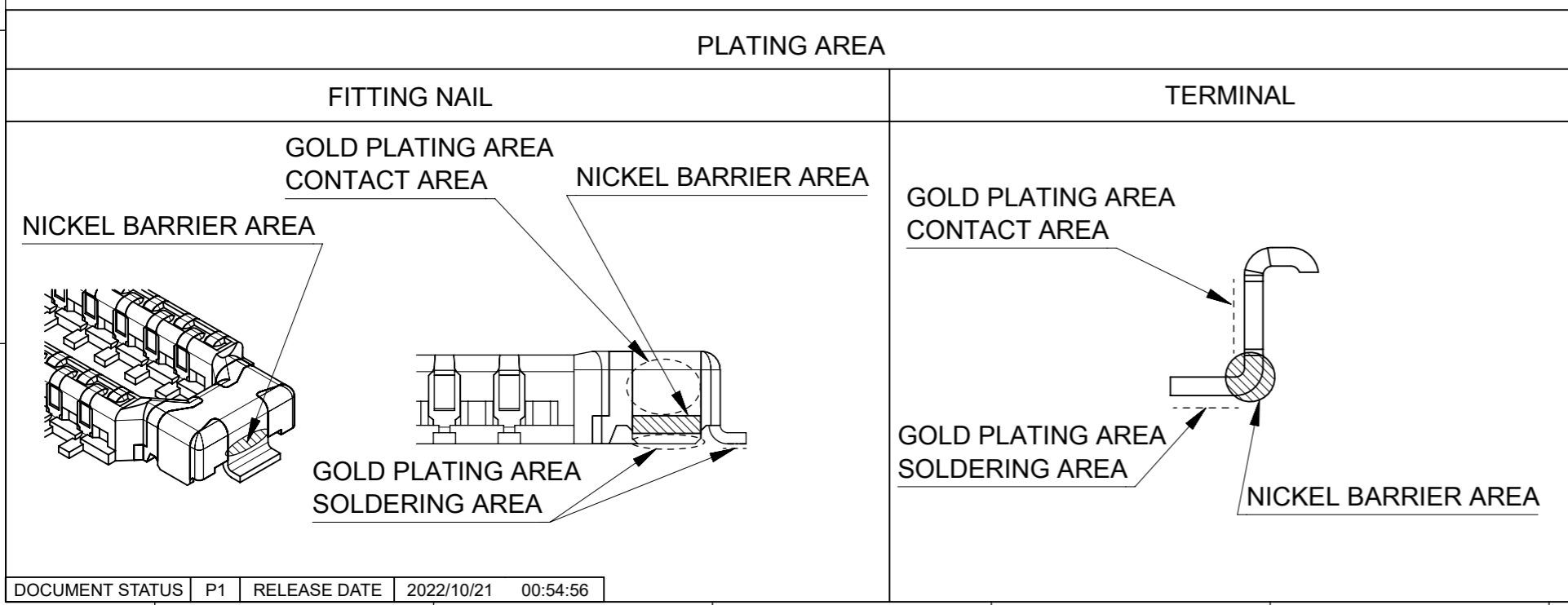


SOLDERING PROHIBITED AREA
WHEN WIRING IS LOCATED,
THE WIRING MUST BE MASKED BY COVER LAY OR RESIST FILM.



RECOMMENDED METAL MASK LAYOUT (REFERENCE)

RECOMMENDED THICKNESS OF METAL MASK : $t=0.08\text{mm}$
RECOMMENDED OPEN APERTURE RATIO OF METAL MASK : 80%



THIS DRAWING CONTAINS INFORMATION THAT IS PROPRIETARY TO MOLEX ELECTRONIC TECHNOLOGIES, LLC AND SHOULD NOT BE USED WITHOUT WRITTEN PERMISSION		CURRENT REV DESC:		molex	
DIMENSION UNITS	SCALE				
mm	20:1			0.175 BB H=0.6 QUAD ROW PLUG ASSY	
GENERAL TOLERANCES (UNLESS SPECIFIED)				PRODUCT CUSTOMER DRAWING	
ANGULAR TOL	± 3.0 °			DOCUMENT NUMBER	
4 PLACES	± 0.03	EC NO: 725424	2022/10/20	2033901000-SD	
3 PLACES	± 0.03	DRWN: AISHII	2022/10/20	DOC TYPE	DOC PART
2 PLACES	± 0.05	CHK'D: YKOBAYASHI02	2022/10/21	PSD	000
1 PLACE	± 0.1	APPR: KSASAKI	2022/10/21	REVISION	E
0 PLACES	± 0.2	INITIAL REVISION:		SHEET NUMBER	
DRAFT WHERE APPLICABLE MUST REMAIN WITHIN DIMENSIONS		DRWN: DGONDO	2020/06/25	2 OF 2	
THIRD ANGLE PROJECTION		APPR: YKOBAYASHI02	2020/07/07	MATERIAL NUMBER	
DRAWING		SERIES		CUSTOMER	
A3-SIZE		203390		SEE CHART	
				GENERAL	