

Price Index


Series 14

Special Features / Options


Cleanroom Class 1 (ISO class 3)

ESD Classification:
Electrically conductive ESD/
ATEX version upon request

UL94-V2 Classifications

Assembly Tips


Easy to assemble and disassemble

Usage Guidelines


- For applications with low loads
- Fast installation of the cables



- For gliding applications
 - **Series 15 Zipper**
- For long unsupported lengths
 - **Series 15 Zipper**

Features & Benefits

- 1 Flammability class UL 94
- 2 Mounting bracket with integrated strain relief
- 3 Dirt-repellent exterior
- 4 Snap-open along inner radius with film-hinge


Order Example: Complete e-chain®

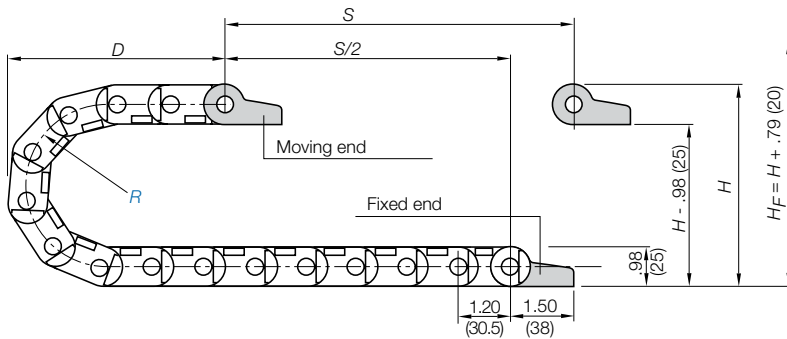
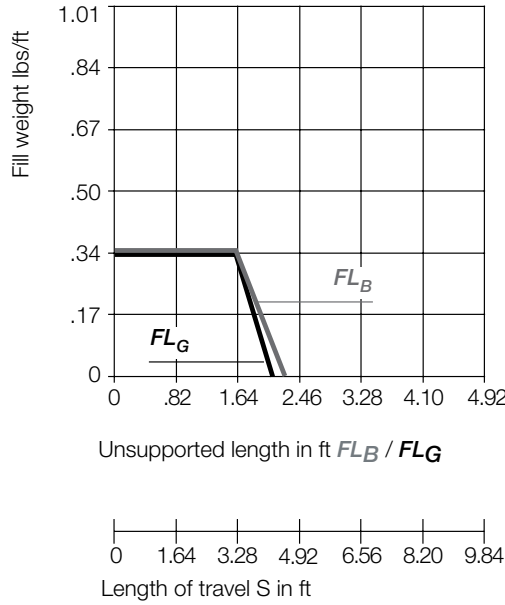
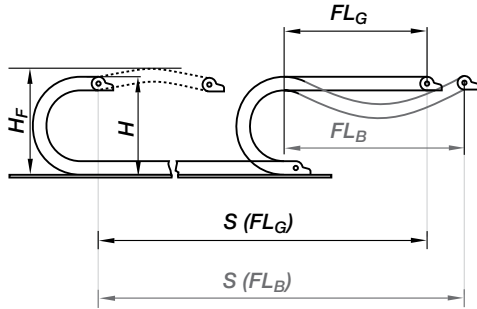
Please indicate chain length or number of links. Example:

3.28 ft (1 m) **14-2-038-0****e-chain®**1 Set **114-2-12PZ****Mounting Bracket**

e-chain system® E2 Mini Series 14 Installation Dimensions

Short travel, unsupported length

- FL_B = unsupported with permitted sag
 - FL_G = unsupported with straight upper run
- Further information ► Design, Chapter 1



The required clearance height: $H_f = H + .79$ in. (20 mm) (with 0.34 lbs/ft (0.5 kg/m) fill weight). Please consult igus® if space is particularly restricted.

R	1.10 (028)	1.50 (038)	1.89 (048)	2.95 (075)	3.94 (100)	4.92 (125)
H	3.19 (81)	3.98 (101)	4.76 (121)	6.89 (175)	8.86 (225)	10.83 (275)
D	3.39 (86)	3.78 (96)	4.17 (106)	5.24 (133)	6.22 (158)	7.20 (183)
K	6.02 (150)	7.42 (185)	8.61 (215)	11.81 (300)	14.96 (380)	17.91 (455)

Short Travels - Unsupported



Unsupported e-chains® feature positive camber over short travels. This must be accounted for when specifying the clearance height. Please refer to **Installation dimensions** for further details.

Legend

- S = Length of travel
- R = Bending radius
- H = Nominal clearance height
- D = Overlength e-chain® radius in final position
- $K = \pi \cdot R + \text{safety buffer}$
- H_f = Required clearance height

Pitch per link = 1.20" (30.5 mm)
Links per ft (m) = 10.06 (33)
For center mount applications:
Chain length = $S/2 + K$



Speed / acceleration FL_G	max. 6.56 ft/s (20 m/s) / max. 656 ft/s ² (200 m/s ²)
Speed / acceleration FL_B	max. 9.84 ft/s (3 m/s) / max. 19.69 ft/s ² (6 m/s ²)
Gliding speed / acceleration (maximum)	max. 9.84 ft/s (3 m/s) / max. 32.8 ft/s ² (10 m/s ²)
Material - permitted temperature	igumid G / -40°F (-40°C) up to +248°F (+120°C)
Flammability Class, igumid NB	VDE 0304 IIC UL94 V2

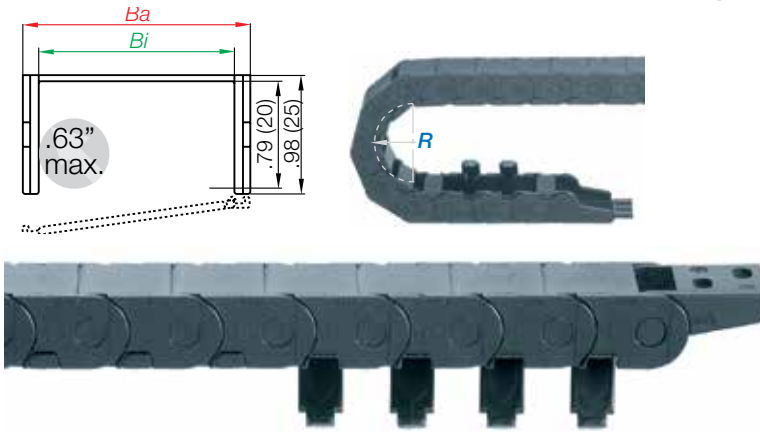
Technical Data



Details of material properties

► Chapter 1

Series 14 - e-chain® snap-open along the inner radius

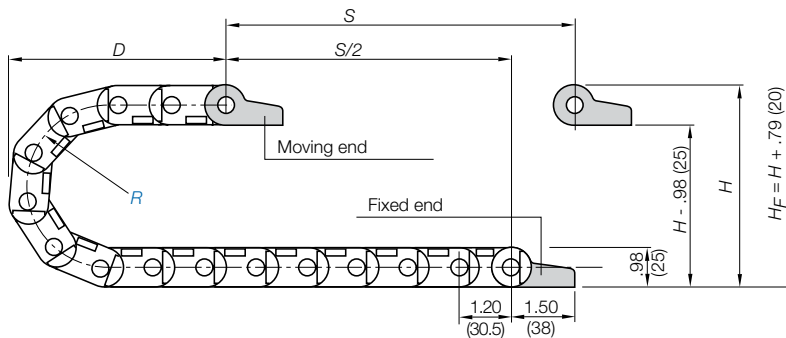


Part Number Structure



- Color - Black
- Bending radius
- Width
- Series

Telephone 1-800-521-2747



Supplement part number with required radius. Example: 14-2-**038**-0
Pitch: 1.20 in. (30.5 mm) per link links/ft (m) = 10.06 (33)

Part Number	<i>Bi</i> in. (mm)	<i>Ba</i> in. (mm)	Weight lbs/ft (kg/m)
14-1- <input type="text"/> -0	.59 (15)	1.02 (26)	≈ 0.21 (0.31)
14-2- <input type="text"/> -0	.98 (25)	1.42 (36)	≈ 0.22 (0.32)
14-3- <input type="text"/> -0	1.50 (38)	1.93 (49)	≈ 0.27 (0.40)
14-4- <input type="text"/> -0	1.97 (50)	2.40 (61)	≈ 0.28 (0.41)

Choose from the radii below for all of the above sizes

Radius (mm) Example: 14-2-**038**-0

	028	038	048	075	100	125
R	1.10 (028)	1.50 (038)	1.89 (048)	2.95 (075)	3.94 (100)	4.92 (125)
H	3.19 (81)	3.98 (101)	4.76 (121)	6.89 (175)	8.86 (225)	10.83 (275)
D	3.39 (86)	3.78 (96)	4.17 (106)	5.24 (133)	6.22 (158)	7.20 (183)
K	6.02 (150)	7.42 (185)	8.61 (215)	11.81 (300)	14.96 (380)	17.91 (455)

0=Standard color black. For other colors see Chapter 1

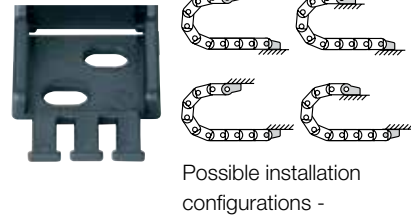
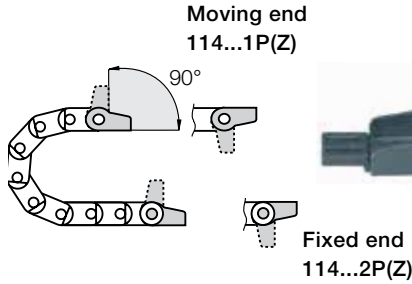
Internet: igus.com
email: sales@igus.com
QuickSpec: igus.com/quickspec

e-chain system® E2 Mini Series 14 Mounting Brackets



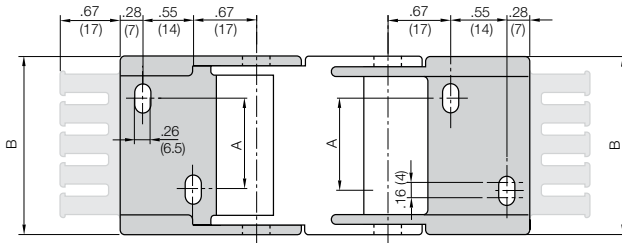
Polymer, one-piece

- One-piece mounting bracket
- Corrosion resistant
- Available preassembled
- Inner and outer attachment possible
- Available with or without strain relief tiewrap plates

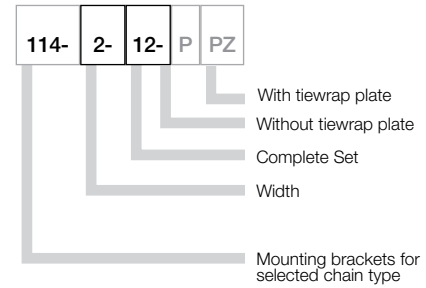


Moving end
114...1P(Z)

Fixed end
114...2P(Z)



Part Number Structure



For Chain Type	Part No.		Dimension A		Dimensions B	
	Full set with Tiewrap Plate	Full Set without Tiewrap Plate	in.	(mm)	in.	(mm)
14.1	114-1-12-PZ	114-1-12-P	—	—	1.04	(26.3)
14.2	114-2-12-PZ	114-2-12-P	.39	(10)	1.43	(36.3)
14.3	114-3-12-PZ	114-3-12-P	.91	(23)	1.94	(49.3)
14.4	114-4-12-PZ	114-4-12-P	1.38	(35)	2.41	(61.3)

Full set, for both ends:

114- 2- 12- PZ Full set, each part with pin/bore + tiewrap plate

Single-part order:

114- 2- 1- PZ Mounting bracket with bore + tiewrap plate

114- 2- 2- PZ Mounting bracket with pin + tiewrap plate

Additional Accessories



Quickfix - mounting bracket with dowel, upon request

Part No.
114-3-12QZ

