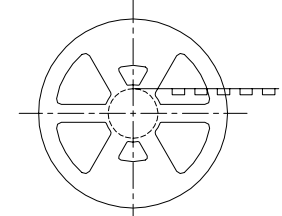
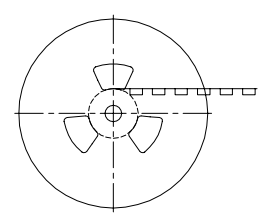
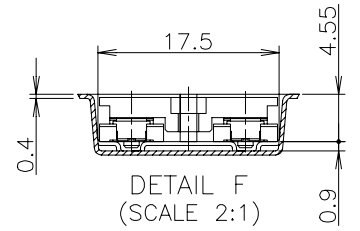
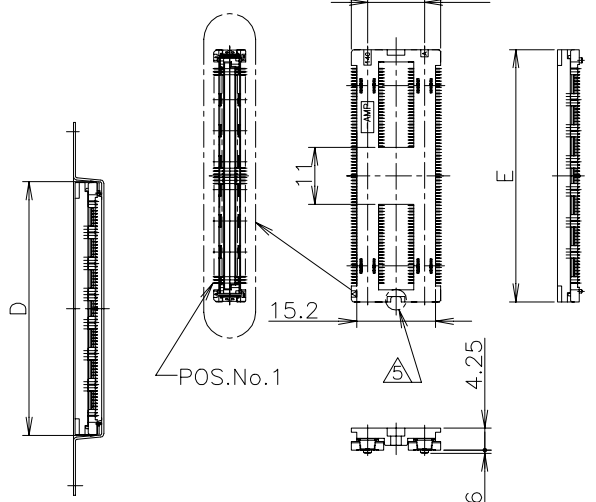
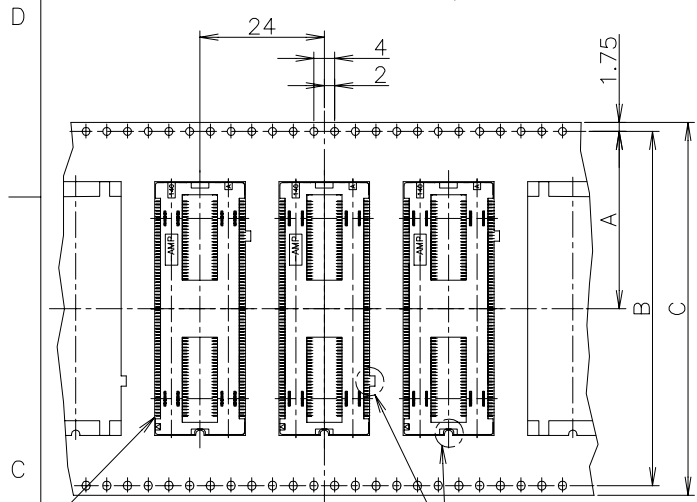


REVISIONS				
変更				
P	LTR	DESCRIPTION	DATE	APVD
B		ECO-20-017853: G-CONTACT TAIL GOLD FLASH	18DEC2020	A.L H.L

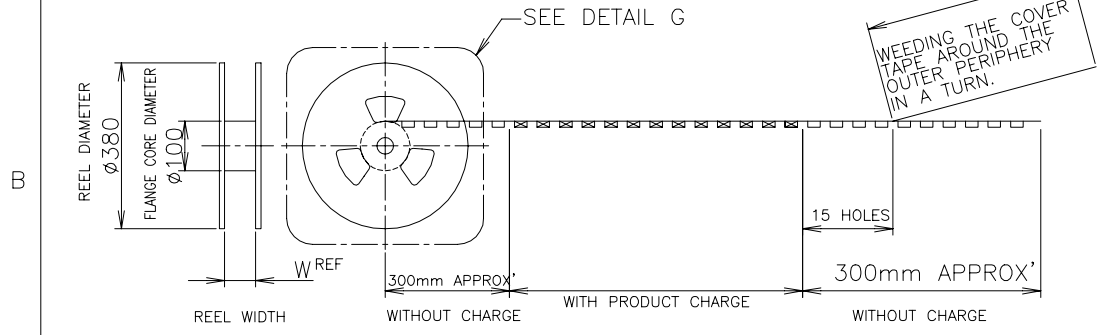


CONNECTOR DETAIL

PAPER REEL

PLASTIC REEL

DETAIL G



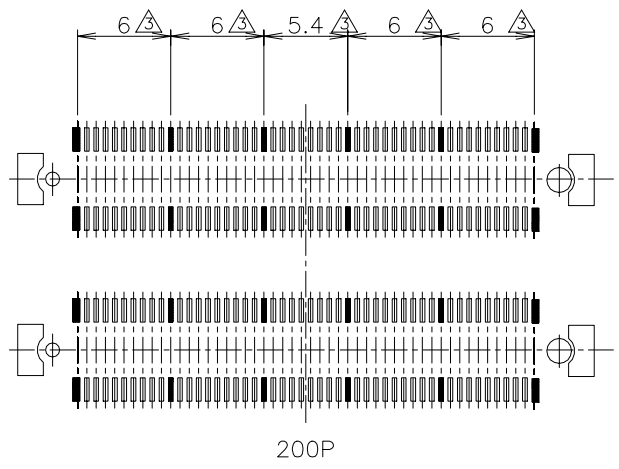
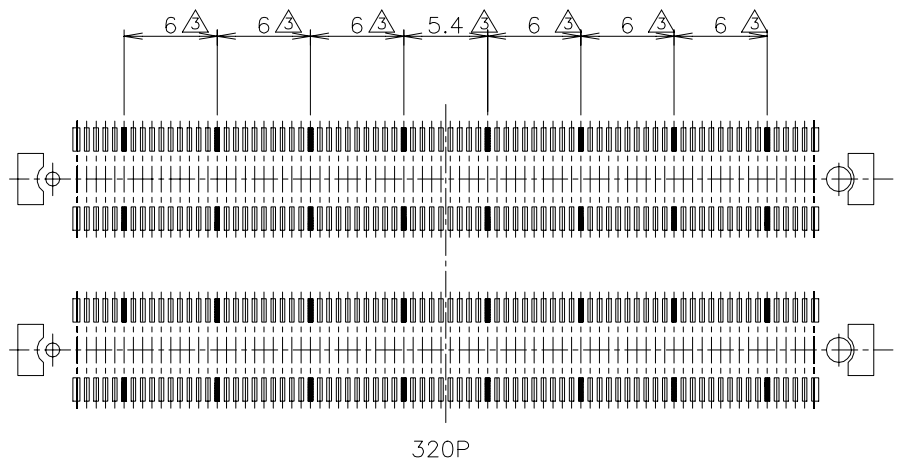
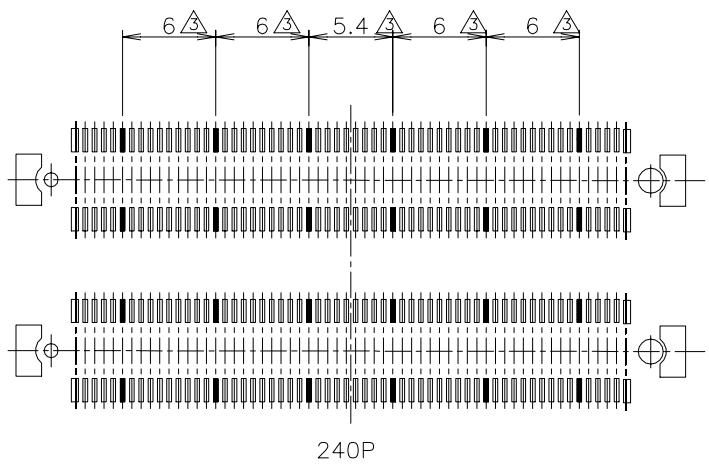
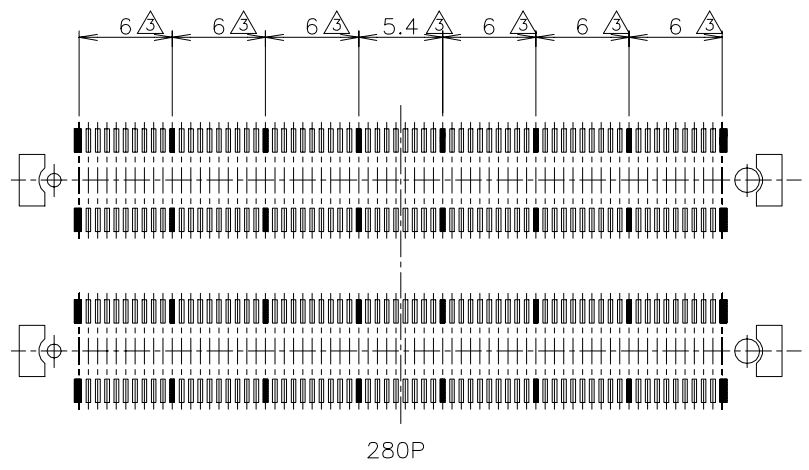
SEALANT	REEL	TOOLING STATUS	QTY	W	E	D	C	B	A	POS.	PART NO.
SEALANT	---	NOT AVAILABLE	650	77.5	54.7	55	72	68.4	34.2	320	6-5353206-1
	PAPER	AVAILABLE	↑	77.5	48.7	49	72	68.4	34.2	280	6-↑ -0
NON SEALANT	---	NOT AVAILABLE		61.5	42.7	43	56	52.4	26.2	240	5- -9
	---	NOT AVAILABLE	650	61.5	36.7	37	56	52.4	26.2	200	5-5353206-8
NON SEALANT	---	NOT AVAILABLE	650	77.5	54.7	55	72	68.4	34.2	320	1-5353206-1
	PLASTIC	AVAILABLE	↑	77.6	48.7	49	72	68.4	34.2	280	1-↑ -0
NON SEALANT	---	NOT AVAILABLE		61.5	42.7	43	56	52.4	26.2	240	-9
	PAPER	NOT AVAILABLE	650	61.5	36.7	37	56	52.4	26.2	200	5353206-8

- △ THIS PRODUCT WAS COATED BY FLUX-PENETRATION -INHIBITING AGENT.
- △ CAP HOUSING AND EMBOSS TAPE FOR ONLY 280P HAS THESE ORIENTATION AND SUNK FEATURES.

THIS DRAWING IS A CONTROLLED DOCUMENT.

DIMENSIONS: 單位: 耗 mm	TOLERANCES UNLESS OTHERWISE SPECIFIED: 一般公差	DWN HAWKING HE 14DEC04	CHK STEVEN YAO 14DEC04	TE Connectivity Ltd.	
0 PLC ± 0.2	1 PLC ± 0.2	APVD I.ENOMOTO 14DEC04	NAME 名称	EMBOSS ASSY	
2 PLC ± 0.2	3 PLC ± 0.2	PRODUCT SPEC 製品規格	108-60047	FH 0.6BTB CONNECTOR	
4 PLC ± 0.2	ANGLES ± 5'	APPLICATION SPEC 取付適用規格	114-5255	REC 4H 2ROW TYPE W/G-CONT	
MATERIAL 材料	FINISH 仕上	WEIGHT	SIZE A3	CAGE CODE 00779	DRAWING NO 番号 G=5353206
CUSTOMER DRAWING			SCALE 尺度	SHEET 1 of 3	REV B

REVISIONS					
変更					
P	LTR	DESCRIPTION	DATE	DWN	APVD
-		SEE SHEET 1	-	-	-



GENERAL TOLERANCE
一般公差

10 ≥: ±0.2
30 ≥ >10: ±0.25
100 ≥ >30: ±0.3
ANGLES: ±3°

THIS DRAWING IS A CONTROLLED DOCUMENT.

DIMENSIONS:
单位: 耗
mm

TOLERANCES UNLESS OTHERWISE SPECIFIED:
一般公差

0 PLC	± -
1 PLC	± -
2 PLC	± -
3 PLC	± -
4 PLC	± -
ANGLES	± -

MATERIAL
材料

DWN	TE Connectivity Ltd.		
CHK	NAME 名称		
APVD	EMBOSS ASSY		
PRODUCT SPEC 製品规格	FH 0.6BTB CONNECTOR		
APPLICATION SPEC 取付適用规格	REC 4H 2ROW TYPE W/G-CONT		
WEIGHT	SIZE A3	CAGE CODE 00779	DRAWING NO 番号 G=5353206
CUSTOMER DRAWING	SCALE 尺度 3:1	SHEET 3 OF 3	RESTRICTED TO REV B