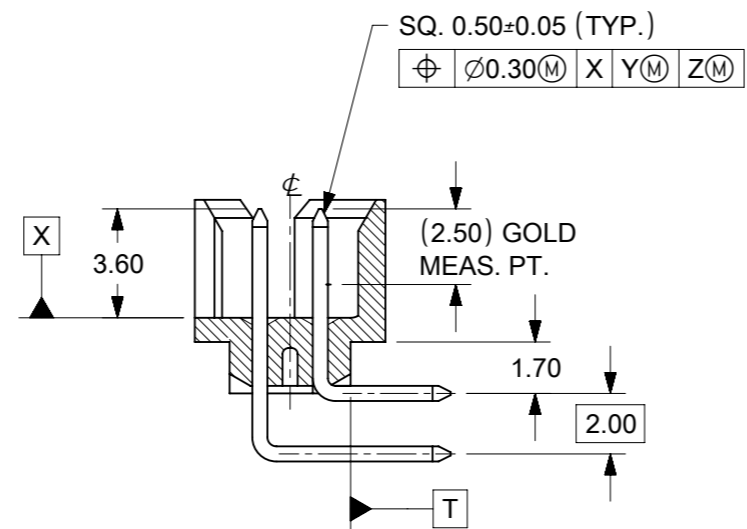


RECOMMENDED PCB PATTERN

ASSEMBLY P/N PACKED IN TUBE (W/O KAPTON)	ASSEMBLY P/N PACKED IN TUBE (WITH KAPTON)	ASSEMBLY P/N PACKED IN T&R (WITH KAPTON)	CKT SIZE	VOID PIN LOCATION	DIMENSION						PLATING OPTION
					A	B	C	D	E	F	
87833-5230	---	---	12	1	14.65	10.00	13.00	12.85	5.00	2.16	1
87833-5220	---	---	10	10	12.65	8.00	11.00	10.85	4.00	2.16	1
87833-7620	---	---		3							
---	87833-0871	87833-0881	8	7	10.65	6.00	9.00	8.85	3.00	2.16	1



SECTION G-G

**PLATING OPTIONS:**

- 0.38µm/15µin GOLD IN CONTACT AREA AND 1.88µm/75µin MIN. TIN IN SOLDER TAIL AREA OVER 1.27µm/50µin MIN. NICKEL OVERALL.
- 0.76µm/30µin GOLD IN CONTACT AREA AND 1.88µm/75µin MIN. TIN IN SOLDER TAIL AREA OVER 1.27µm/50µin MIN. NICKEL OVERALL.
- 0.05-0.13µm/2-5µin GOLD IN CONTACT AREA AND 1.88µm/75µin MIN. TIN IN SOLDER TAIL AREA OVER 1.27µm/50µin MIN. NICKEL OVERALL.

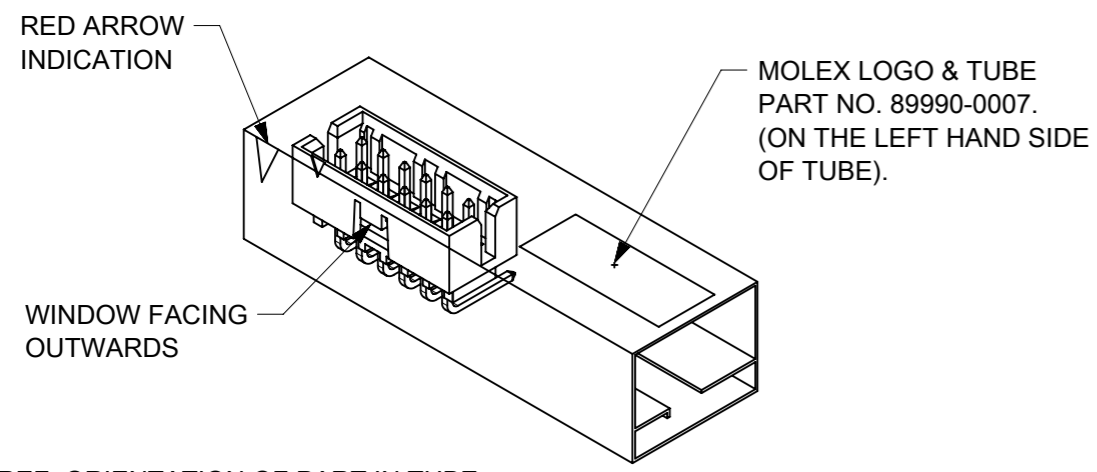
**NOTES:**

- FOR ILLUSTRATION PURPOSES, 8 CIRCUIT SIZE WAFER IS SHOWN.
- MATERIAL :  
HOUSING : NYLON 46, GLASS FILLED, UL94V-0, COLOR BLACK.  
PIN : 0.50mm SQ.PHOSPHOR BRONZE.  
KAPTON TAPE : POLYIMIDE 4mm X 30m X 0.055mm COLOR: AMBER
- PRODUCT SPECIFICATION PS-87831-027 APPLIES.
- CKT 4 & 6 HAS NO IDENTIFICATION TAG.
- THIS HEADER MATES WITH MOLEX:  
a) CRIMP RECEPTACLE HOUSING, 51110 SERIES WITH CRIMP TERMINAL, 50394 SERIES.  
b) 2mm MILLIGRID DUAL ROW IDT, 87568 SERIES.
- PARTS TO BE PACKED WITH MOISTURE BARRIER BAG.
- NO CENTRE POLARIZATION SLOT FOR CKT SIZE 4 AND 6

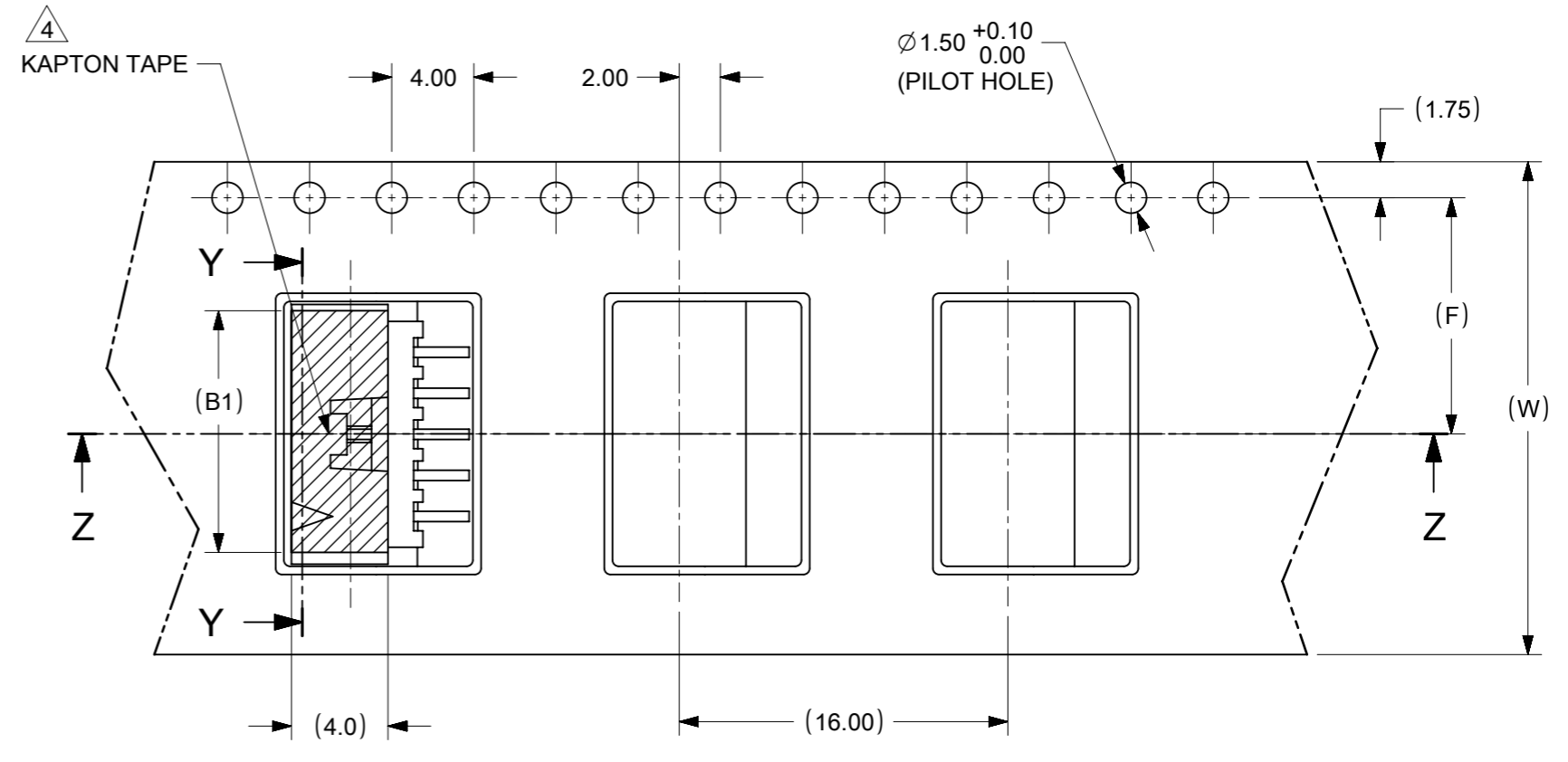
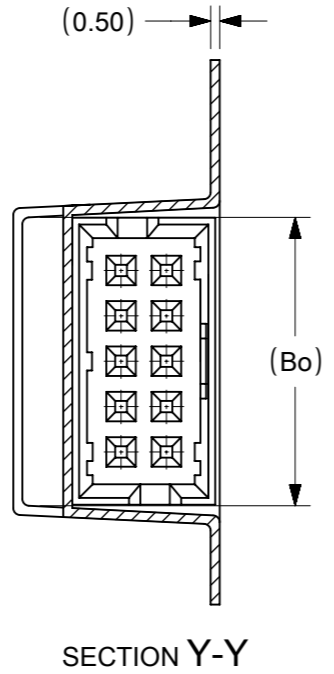
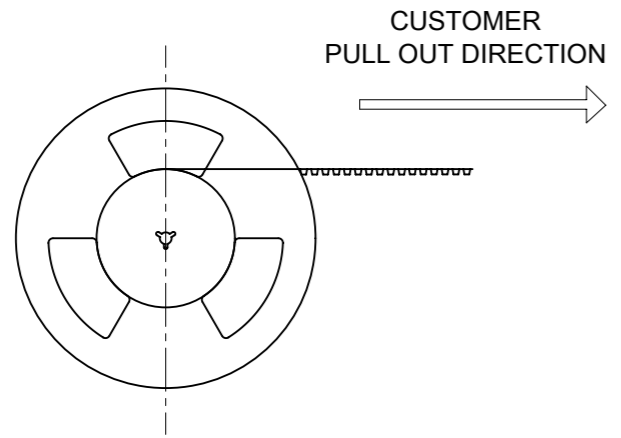
THIS DRAWING CONTAINS INFORMATION THAT IS PROPRIETARY TO MOLEX ELECTRONIC TECHNOLOGIES, LLC AND SHOULD NOT BE USED WITHOUT WRITTEN PERMISSION

MIGRATED TO ECTR EC NO: 170067 DRWN: MUM CHKD: CD REV APPR: GGA	GENERAL TOLERANCES (UNLESS SPECIFIED)		DIMENSION UNITS		SCALE								
			MM	INCH	MM	NTS							
	4 PLACES ±		±	±	DRWN BY	DATE		MGRID, SHROUDED HEADER W/LOCKING FEATURE, R/A					
	3 PLACES ±		±	±	ATSEE	2003/10/23							
2 PLACES ± 0.2		±	±	CHK'D BY	DATE		PRODUCT CUSTOMER DRAWING						
1 PLACES ±		±	±	KCLING	2003/11/07								
0 PLACES ±		±	±	APPR BY	DATE		SERIES: 87833 MATERIAL NUMBER: SEE TABLE CUSTOMER: GENERAL MARKET						
				SKTOH	2003/11/07								
ANGULAR TOL = 3.0		DRAWING SIZE		THIRD ANGLE PROJECTION									
DRAFT WHERE APPLICABLE MUST REMAIN WITHIN DIMENSIONS		A3											
RELEASE STATUS: P1		RELEASE DATE: 2018/04/24		12:56:32		DOCUMENT NUMBER: SD-87833-011		DOC TYPE: PSD		DOC PART: 001		SHEET NUMBER: 1 OF 2	

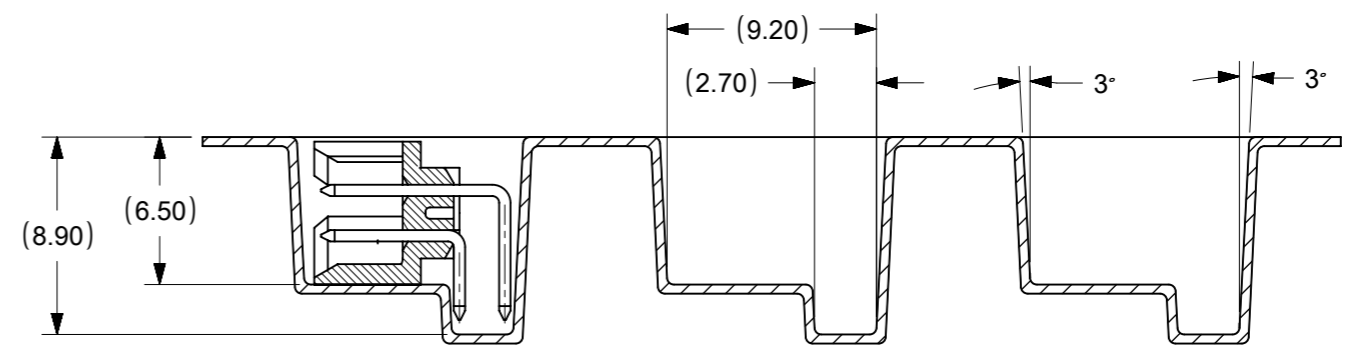
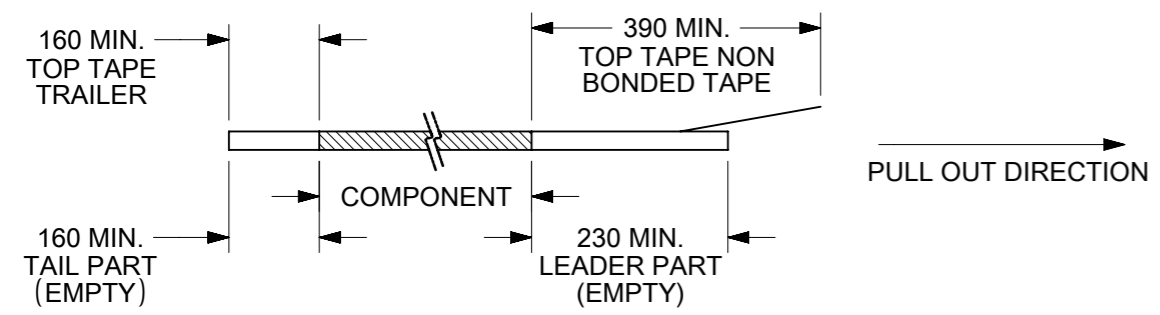
ASSEMBLY P/N PACKED IN T&R (WITH KAPTON)	CKT SIZE	(F)	(Bo)	(B1)	(W)
87833-0881	08	11.50	11.00	10.00	24.00



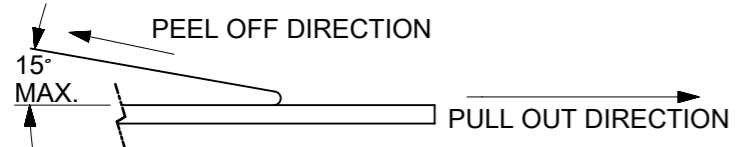
REF: ORIENTATION OF PART IN TUBE.  
(FOR THE REFERENCE OF PART/TUBE ASSEMBLY.)



NOTES:  
1. LEADER AND TRAILER TAPE



2. PEELING OFF FORCE OF THE TOP TAPE: 20-80gf.  
(PEELING DIRECTION AS SHOWN IN FOLLOWING FIGURE)



3. PACKAGING STANDARD IS AS PER EIA-481.  
4. KAPTON TAPE SHOULD BE LOCATED AS CENTRAL OF PART AS POSSIBLE AND MUST COVER THE WINDOWS.  
5. TAPE & REEL QUANTITY : 500 PCS/REEL

THIS DRAWING CONTAINS INFORMATION THAT IS PROPRIETARY TO MOLEX ELECTRONIC TECHNOLOGIES, LLC AND SHOULD NOT BE USED WITHOUT WRITTEN PERMISSION

MIGRATED TO ECTR EC NO: 170067 DRWN: MUM CHK'D: CD REV APPR: GGA	2017/11/15	GENERAL TOLERANCES (UNLESS SPECIFIED)		DIMENSION UNITS	SCALE				
	2018/04/24	MM	INCH	MM	NTS				
	2018/04/24	4 PLACES ±	±	DRWN BY	DATE		<b>MGRID, SHROUDED HEADER W/LOCKING FEATURE, R/A</b>		
		3 PLACES ±	±	ATSEE	2003/10/23				
		2 PLACES ± 0.2	±	CHK'D BY	DATE				
	1 PLACES ±	±	KCLING	2003/11/07	<b>PRODUCT CUSTOMER DRAWING</b>				
	0 PLACES ±	±	APPR BY	DATE					
			SKTOH	2003/11/07	SERIES	MATERIAL NUMBER	CUSTOMER		
			ANGULAR TOL = 3.0	DRAWING SIZE	THIRD ANGLE PROJECTION	87833	SEE TABLE	GENERAL MARKET	
			DRAFT WHERE APPLICABLE MUST REMAIN WITHIN DIMENSIONS	A3		DOCUMENT NUMBER	DOC TYPE	DOC PART	SHEET NUMBER
						SD-87833-011	PSD	001	2 OF 2