

P	LTR	DESCRIPTION	DATE	DWN	APVD
A		INITIAL RELEASE	21AUG2019	HH	CW

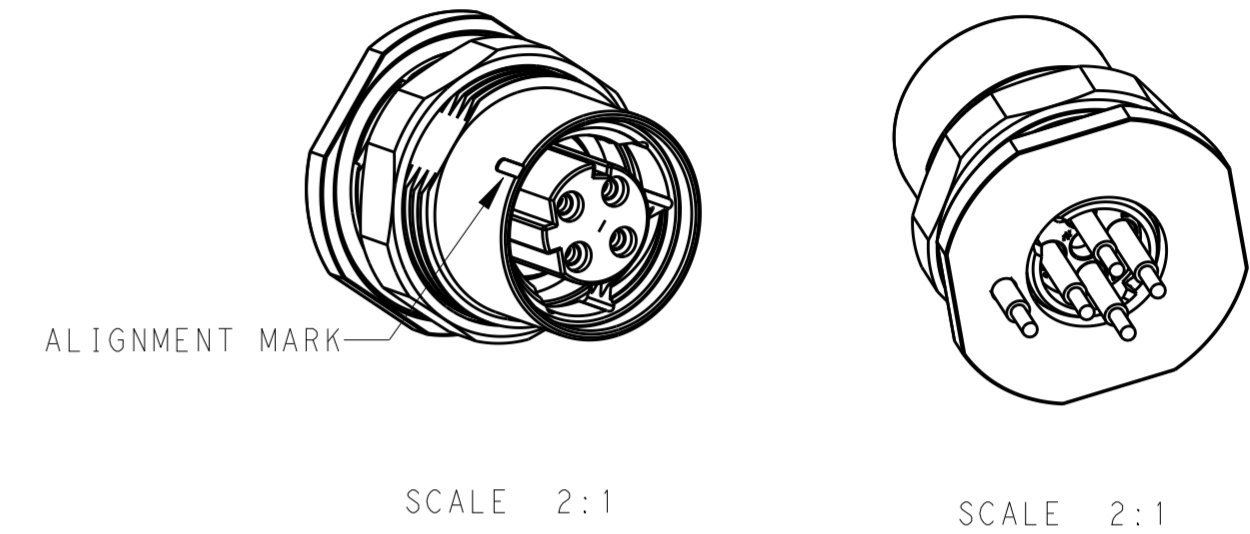
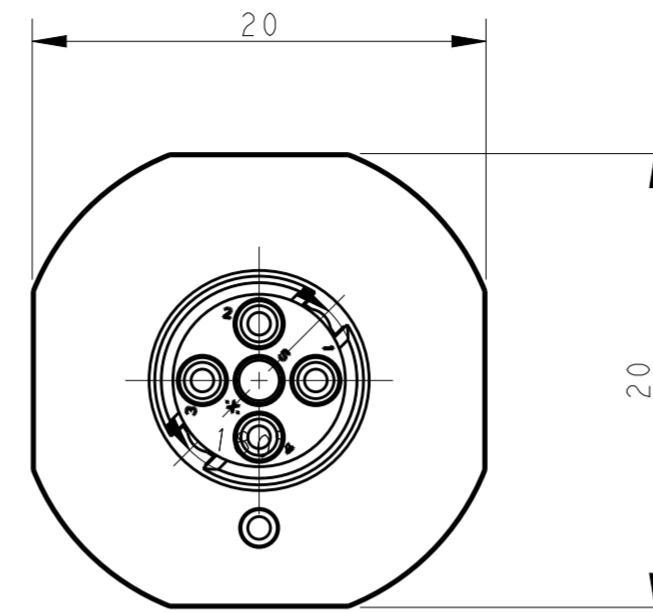
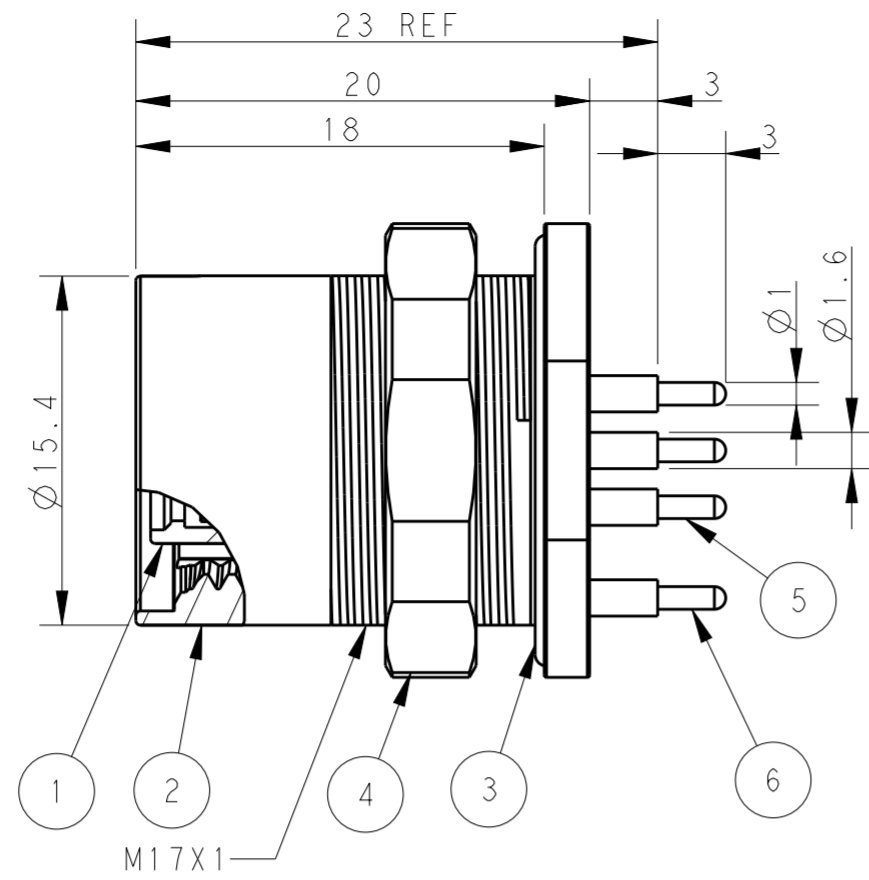
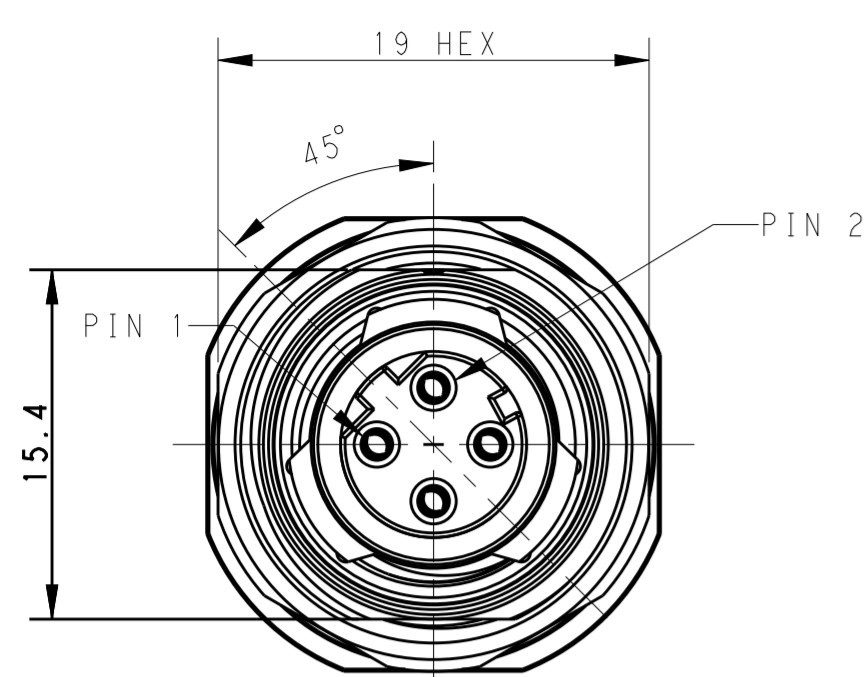
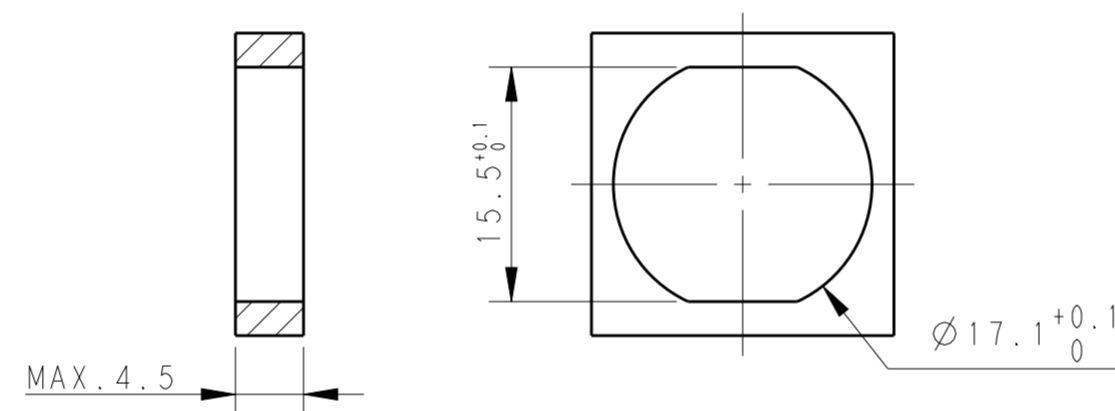


TABLE 1

TECHNICAL DATA	T4141510044-000
RATED VOLTAGE	250V
RATED CURRENT	4A
POLLUTION DEGREE	2
OVERVOLTAGE CATEGORY	II
MATERIAL GROUP	I
CONTACT RESISTANCE (INITIAL)	$\leq 10m\Omega$
INSULATION RESISTANCE	$> 100M\Omega$
DEGREE OF PROTECTION	IP67
OPERATION TEMPERATURE	-40~85°C

SECTION A-A



RECOMMENDED PANEL CUTOUT

NOTE:

1. TECHNICAL DATA: SEE TABLE 1
2. RECOMMENDED MOUNT PANEL SEE DETAIL
3. PRODUCT COMPLIES WITH IEC61076-2-012
4. PLASTIC INSERT MATERIAL: UL LISTED WITH UL94V0 FLAME RATING
5. PRODUCT CAN MEET REFLOW SOLDERING WITH 265°C MAX PEAK TEMPERATURE PER TEC-109-201
6. ALL MATERIALS TO BE ROHS COMPLIANT
7. ALL MATERIALS TO BE REACH COMPLIANT
8. COMPLIES TO UL1863

注释:

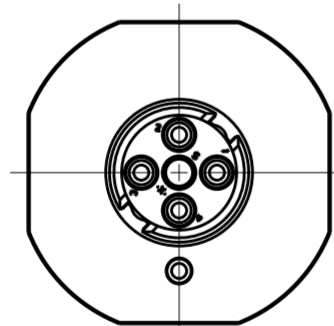
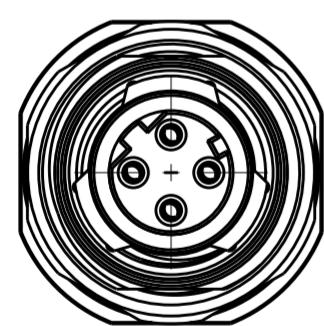
- 1: 技术参数, 见表1
- 2: 推荐开孔尺寸详见如图所示
- 3: 产品符合标准IEC61076-2-012
- 4: 塑胶材料符合UL标准, UL-94V0阻燃等级
- 5: 产品符合最高260度的REFLOW制程, 参考TEC-109-201
- 6: 所有材料符合ROHS参照标准TEC-138-705
- 7: 所有材料符合REACH参照标准TEC-138-705
- 8: 产品符合UL1863

PIN ARRANGEMENT D-CODE

T4141510044-000

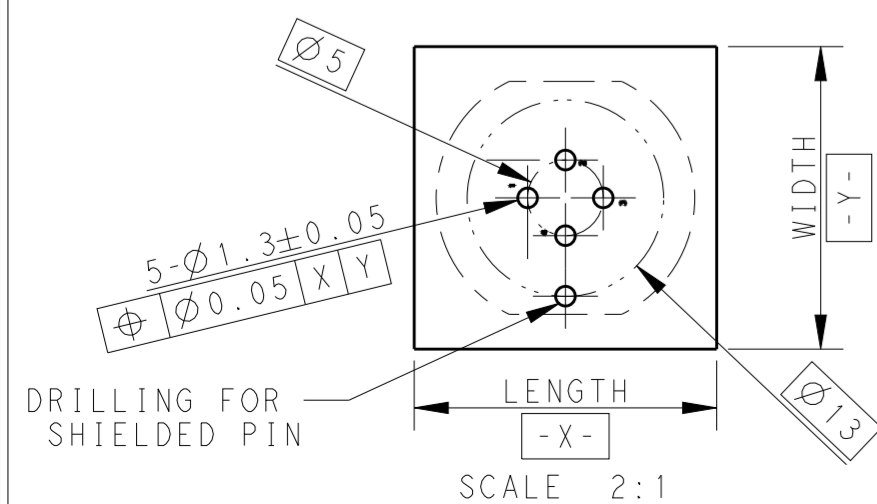
FRONT VIEW

BACK VIEW



SCALE 2:1

RECOMMENDED DRILLING DIAGRAM (PCB THICKNESS 1.6mm MAX)



SCALE 2:1

TE PN	TYPE	DESCRIPTION
T4141510044-000	RPC-M12-FF-4CON-M17P-LBUS	M12 PUSH-PULL PANEL MOUNT CONNECTOR, D CODE FEMALE, REAR MOUNTING, PCB SOLDERING, SHIELDED

PLATING	MATERIAL	DESCRIPTION	ITEM
TIN PLATING	COPPER ALLOY	SHIELDED PIN	6 1
CONTACT AREA WITH 30μ"MIN. GOLD PLATED	COPPER ALLOY	CONTACT	5 4
NICKEL PLATING	COPPER ALLOY	METAL NUT	4 1
-	SILICON RUBBER	O-RING	3 1
NICKEL PLATING	COPPER ALLOY	M12, FEMALE, METAL BODY	2 1
-	PA RESIN	M12, FEMALE HSG, D-CODE	1 1

THIS DRAWING IS A CONTROLLED DOCUMENT.

DWN HART HE 14JUN2019

CHK GINO YAO 14JUN2019

APVD CHRIS WANG 14JUN2019

PRODUCT SPEC

108-137420

APPLICATION SPEC

114-137144

WEIGHT -

CUSTOMER DRAWING



M12 PUSH-PULL PANEL MOUNT CONNECTOR D CODE, FEMALE, REAR MOUNTING, PCB SOLDERING, SHIELDED

SIZE A2 CAGE CODE 00779 DRAWING NO. T4141510044000 RESTRICTED TO

SCALE 3:1 SHEET 1 OF 1 REV A