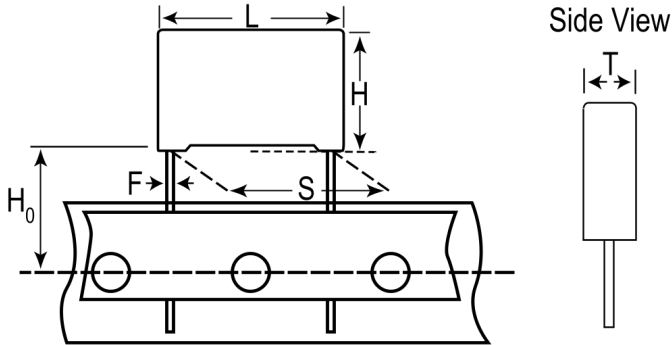


R76MF2330DQ30K

Aliases (76MF2330DQ30K)

R76, Film, Double Metallized Polypropylene, Automotive Grade, 0.033 uF, 10%, 400 VDC, 85°C, Lead Spacing = 10mm



Click [here](#) for the 3D model.

Dimensions

L	13mm +0.2/-0.5mm
H	11mm +0.1/-0.5mm
T	5mm +0.2/-0.5mm
S	10mm +/-0.4mm
H0	18.5mm +/-0.5mm
F	0.6mm +/-0.05mm

Packaging Specifications

Packaging	Ammo, 360x340x59mm, Box
Packaging Quantity	800

General Information

Series	R76
Dielectric	Double Metallized Polypropylene
Style	Radial
Features	Automotive Grade, Pulse
RoHS	Yes
Lead	Wire Leads
Qualifications	AEC-Q200
AEC-Q200	Yes

Specifications

Capacitance	0.033 uF
Capacitance Tolerance	10%
Voltage AC	250 VAC
Voltage DC	400 VDC
Temperature Range	-55/+110°C
Rated Temperature	85°C
Dissipation Factor	0.03% 1kHz, 0.04% 10kHz, 0.1% 100kHz
Insulation Resistance	100 GOhms
Max dV/dt	1500 V/us
Resistance	19.29 mOhms (100kHz)
Ripple Current	3.9 Amps (100kHz 85C), 50 Amps (Peak)
Inductance	9 nH