

QMFLN

Water, Vibration and Oil Resistant LED Work Lights with IP67/ IP69K Protection



Suitable for machine tool equipment that needs excellent water and oil proof features

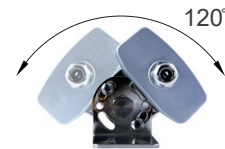


Common Specifications

- Special sealing structure provides excellent oil resistance, suitable for environments with high temperature cutting oil
- Suitable for high pressure and high temperature water cleaning environments(IP69K)
- Tempered glass prevents damage from machine tool chips
- Bracket included has tilt adjustment with angle of 120°
- Can select from variety of body length of 200/ 300/ 400/ 500/ 600mm to fit your application needs
- Can choose anti-glare lens type depending on work environment needs
- Can customize the product with the M12 connector if requested
- High-intensity type available upon request (Model number : QMFHLN)
- Certificates : CE Compliant, UL Listed



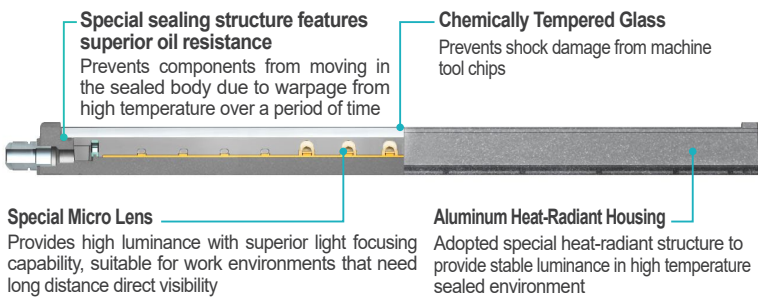
Tilt Type K Bracket



The standard bracket included enables tilt adjustment with angle of 120°



Structural Features



Cable entry M12 connector attached type



Customized Cable entry M12 connector attached type available.

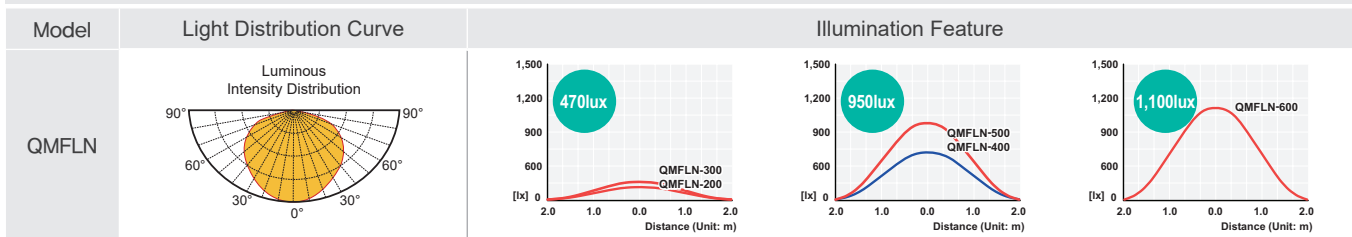
Test Conditions/ Regulations

Vibration Resistance Test	<ul style="list-style-type: none"> • Acceleration : 20m/s² • Duration : 1 octave/min • Range of frequency : 10-150Hz • Amplitude : Maximum 7.5mm, Direction : tested 10times each 3 directions(X, Y, Z)
Shock Resistance Test	<ul style="list-style-type: none"> • Acceleration : 20g • Directions : ±X, ±Y, ±Z • Numbers : 3 times each directions • Time period : 11ms for each direction • Waveform : Half sine
Oil Resistance Test	<ul style="list-style-type: none"> • General test : Tested in water soluble and non-water soluble flooded environments for 500 hours. • High temperature oil resistance test : Place the object in a constant temperature water bath at 80°C for two hours and then submerge the object in the room temperature oil diluent for 24hours.
Solid Particle Protection Test(IP6X)	<ul style="list-style-type: none"> • After reducing the pressure inside the test object, spray talcum powder with a nominal diameter of 50um for 2 hours at 40-60meters/hour inside the dust chamber. • IEC60529
Liquid Ingress Protection Test(IPX7)	<ul style="list-style-type: none"> • Test ingress by putting the object under 1000mm water with 2bar of pressure for 30 mins
High-pressure, High-temperature Wash-down Test (IP69K)	<ul style="list-style-type: none"> • Spray nozzle provides 80°C water with pressure of 80–100 bar and a flow rate of 14–16 L/min to the object • Distance between spray nozzle and the test object : 10-15cm • Water spray angle : 0°, 30°, 60°, 90° • The nozzle is held at 4 of each angle for 30 seconds • DIN 40050 PART9

QMFLN

Water, Vibration and Oil Resistant LED Work Lights with IP67/ IP69K Protection

Light Distribution and Illuminance



Optics Specifications

Model		QMFLN-200	QMFLN-300	QMFLN-400	QMFLN-500	QMFLN-600	
Lens color	(Blank)	Transparent	Transparent	Transparent	Transparent	Transparent	
	TLC	Translucent	Translucent	Translucent	Translucent	Translucent	
Light color		Cooldaylight					
Color temperature		6,000-7,000K					
Luminous flux	DC	(Blank)	359lm	851lm	1,284lm	1,553lm	1,719lm
		TLC	306lm	730lm	1,109lm	1,394lm	1,532lm
	AC	(Blank)	508lm	1,125lm	1,844lm	2,180lm	2,226lm
		TLC	342lm	710lm	1,170lm	1,750lm	2,012lm
Efficacy (lm/W)	DC	(Blank)	240Lux	560Lux	850Lux	1,000Lux	1,300Lux
		TLC	160Lux	370Lux	580Lux	750Lux	1,050Lux
	AC	(Blank)	210Lux	470Lux	740Lux	950Lux	1,100Lux
		TLC	150Lux	310Lux	510Lux	730Lux	910Lux

Specifications

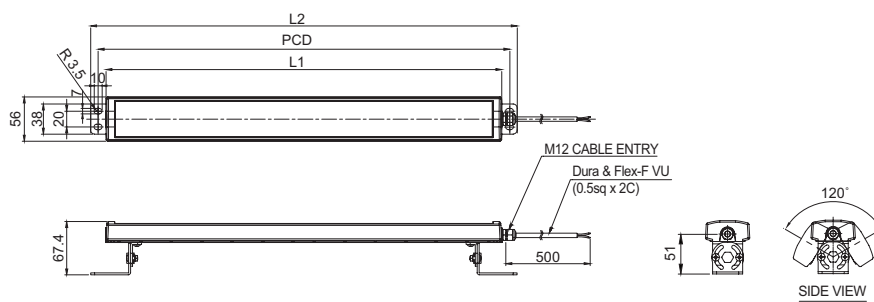
Model		QMFLN-200	QMFLN-300	QMFLN-400	QMFLN-500	QMFLN-600
Voltage	DC24V		DC24V	DC24V	DC24V	DC24V
	AC110V/220V		AC110V/220V	AC110V/220V	AC110V/220V	AC110V/220V
Range for operation voltage	DC24V	DC22V-30V				
	AC110V	AC98-121V				
	AC220V	AC198-245V				
Power consumption	DC	5.6W	12.5W	20W	20W	25W
	AC	6.6W	14.5W	23.5W	23.5W	27W
Insulation resistance		Min. 100MΩ(500V DC mega ohm meter)				
Withstanding voltage		500V AC, 60Hz, 1 minute				
Operation temperature		-30°C to +60°C				
Protection rating		IP67/ IP69K				
Materials		Housing: Al, Lens : Tempered glass, Bracket : Spc-1				
Certificates		CE UL DC24V Only				
Weight (Approx.)		0.57kg	0.80kg	1.03kg	1.26kg	1.49kg



Technical Diagram

(Units : mm)

QMFLN-200/ 300/ 400/ 500/ 600



MODEL	L1	PCD	L2
QMFLN - 200	190	210	230
QMFLN - 300	290	310	330
QMFLN - 400	400	420	440
QMFLN - 500	500	520	540
QMFLN - 600	600	620	640

※ External power line - Dura & Flex-F VU(0.5sq) x 2C 450mm



Ordering Specification

QMFLN	-	200	-	24	-	TLC
[Model number]		[Product length]		[Voltage]		[Lens type]
• QMFLN		• 200 : 190mm • 300 : 290mm • 400 : 400mm • 500 : 500mm • 600 : 600mm		• 24-DC24V • 110-AC110V • 220-AC220V		• (Blank) - Transparent lens • TLC - Translucent lens