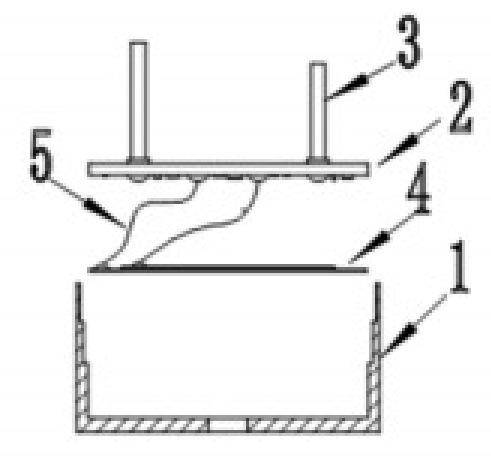
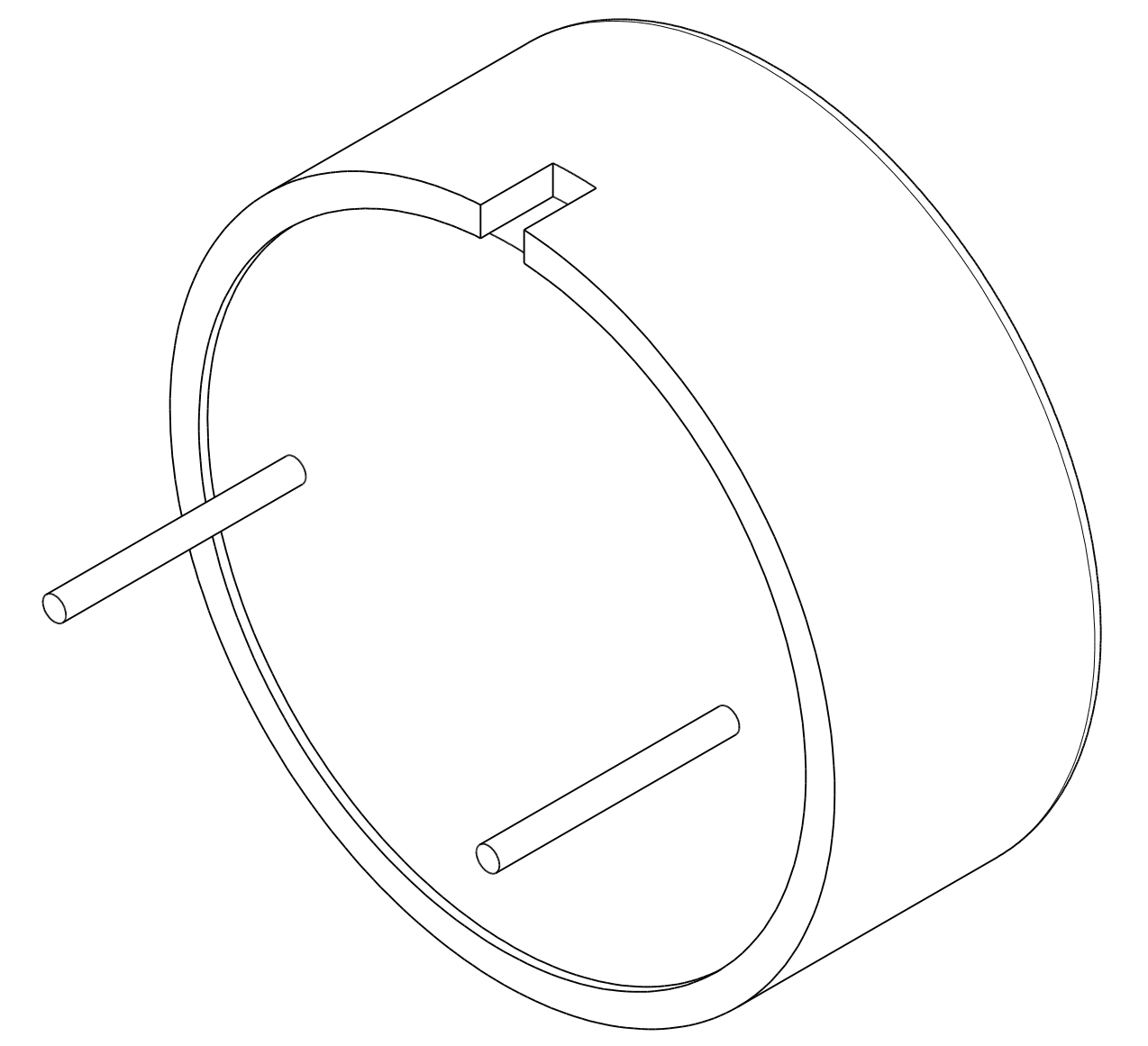
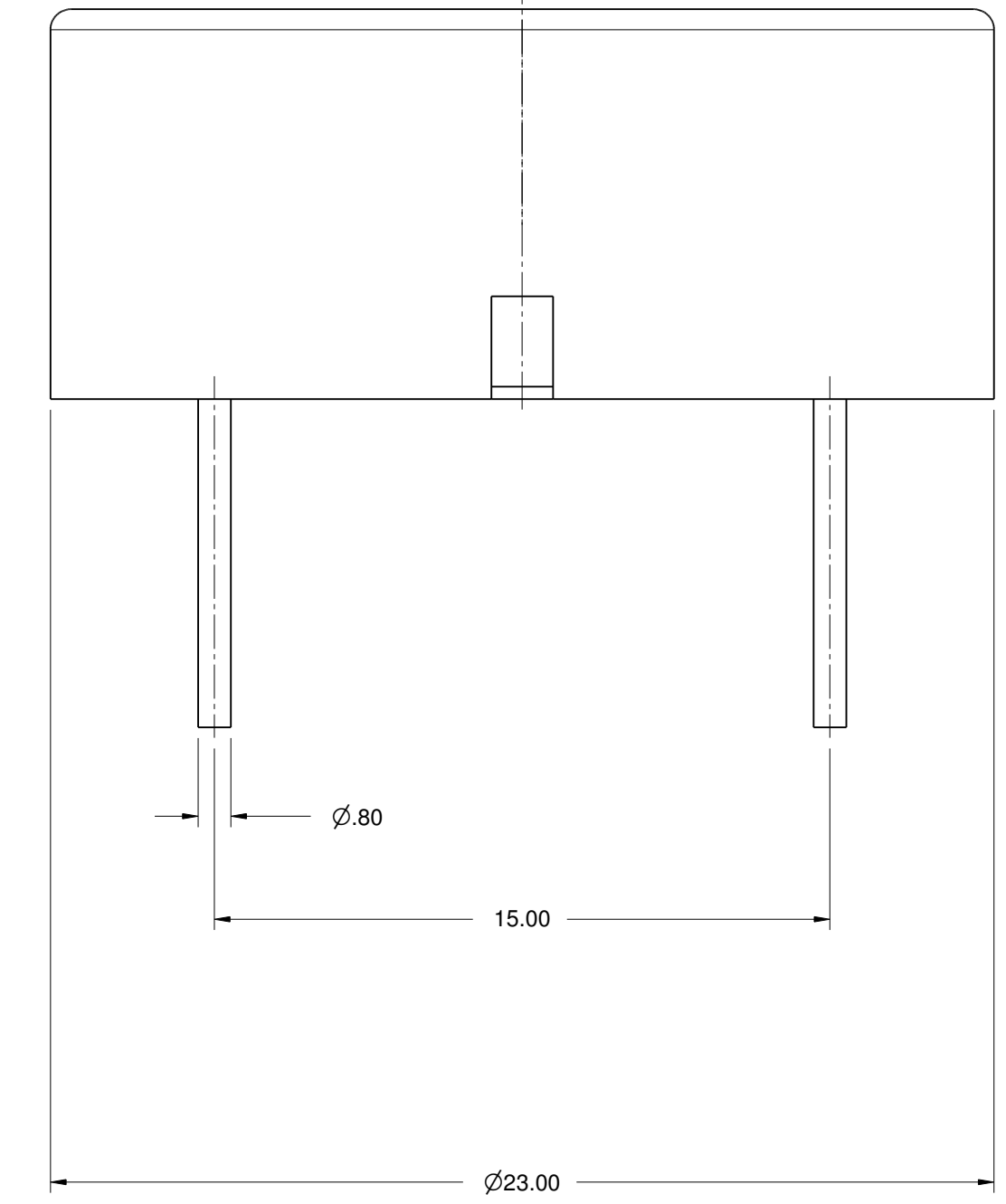


REVISIONS				
ZONE	REV	DESCRIPTION	DATE	APPROVED



no	item	material	qty
1	Case	PPO	1
2	PCB	Epoxy	1
3	Pin	Copper	2
4	Piezo	Brass+ceramic	1
5	Wire	Copper	2



D

D

C

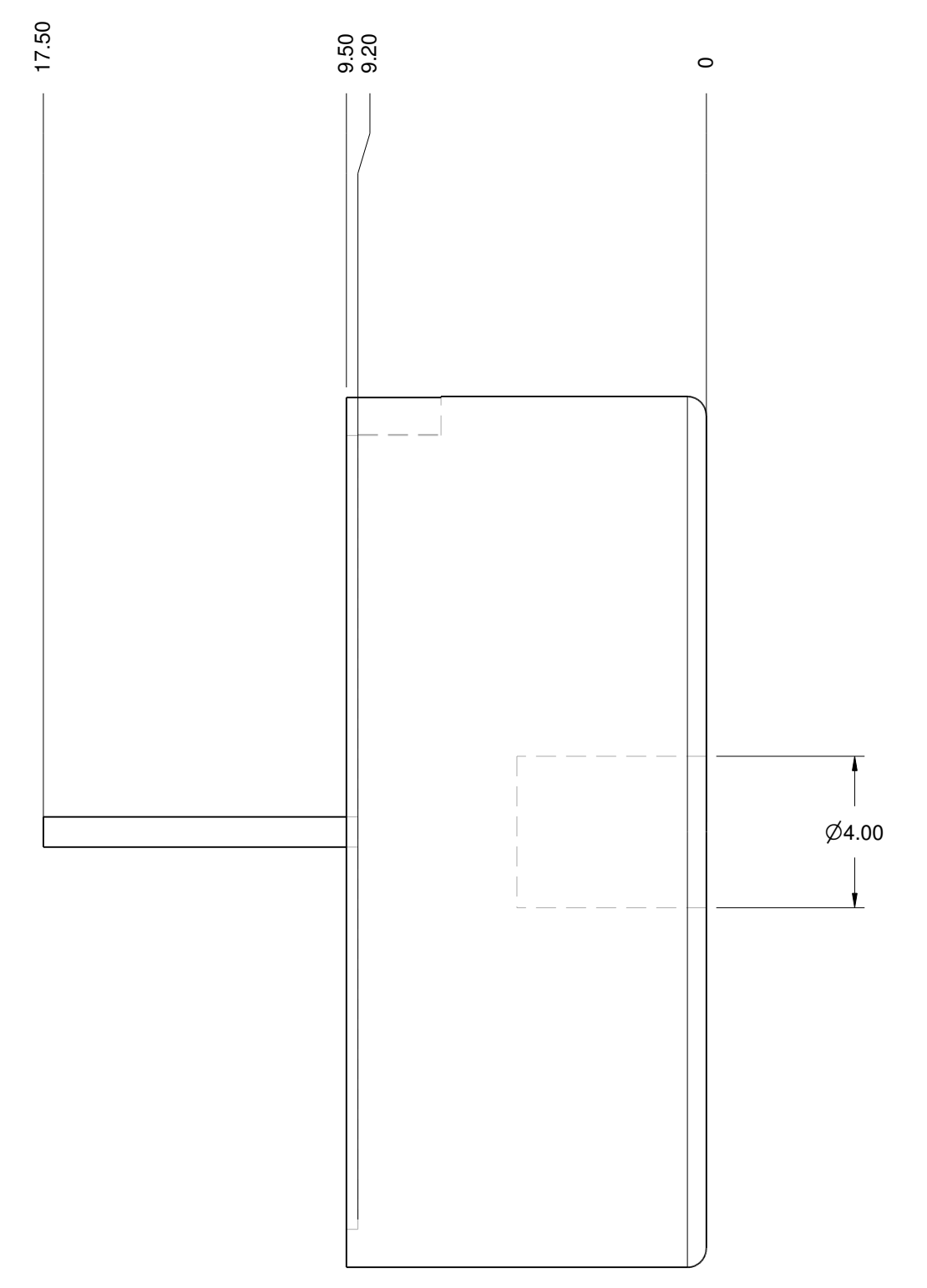
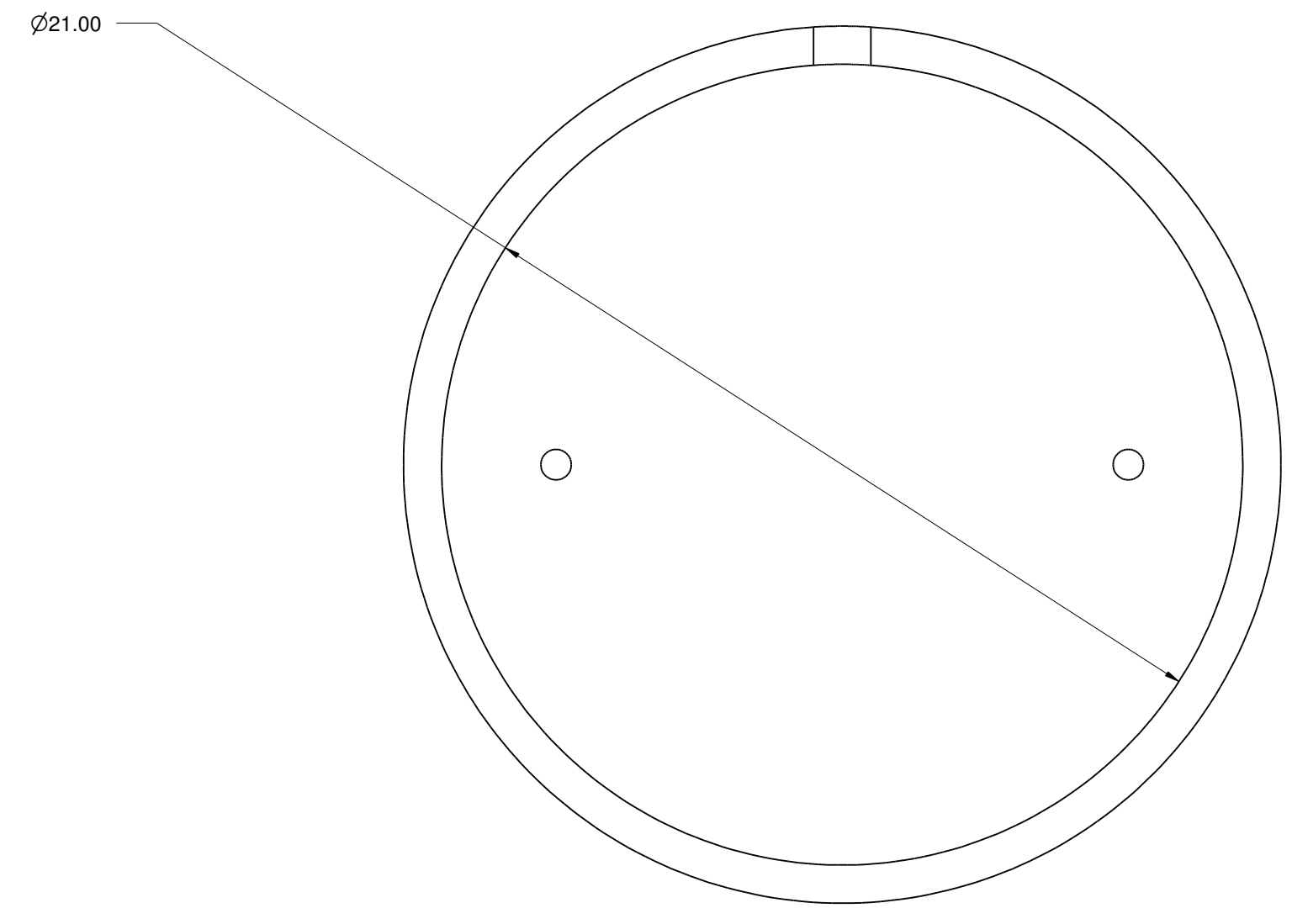
C

B

B

A

A



SIZE	FSCM NO.	DWG NO.	REV
D		PB-2401-1	
SCALE	1:1	SHEET	1 OF 1