



Pontiac Coil

2110 Queensway Searcy, AR 72143

Phone 501-268-6877 Website: www.pontiaccoil.com

Model L-10 DC Solenoid Tubular, Pull Type

Pontiac Coil - Arkansas is an ISO 9001:2000 Certified Company

*Resistance values are $\pm 10\%$ at 25°C

Model Code	Part No.	Voltage	Duty Cycle	Power (W)	Resistance (Ω)*	Current (A)
L-10PL012D-C-2	F0481A	12VDC	Continuous	8	18.0	0.7
L-10PL012D-I-2	F0482A	12VDC	Intermittent	40	3.6	3.4
L-10PL024D-C-2	F0483A	24VDC	Continuous	8	72.0	0.4
L-10PL024D-I-2	F0484A	24VDC	Intermittent	40	14.4	1.7

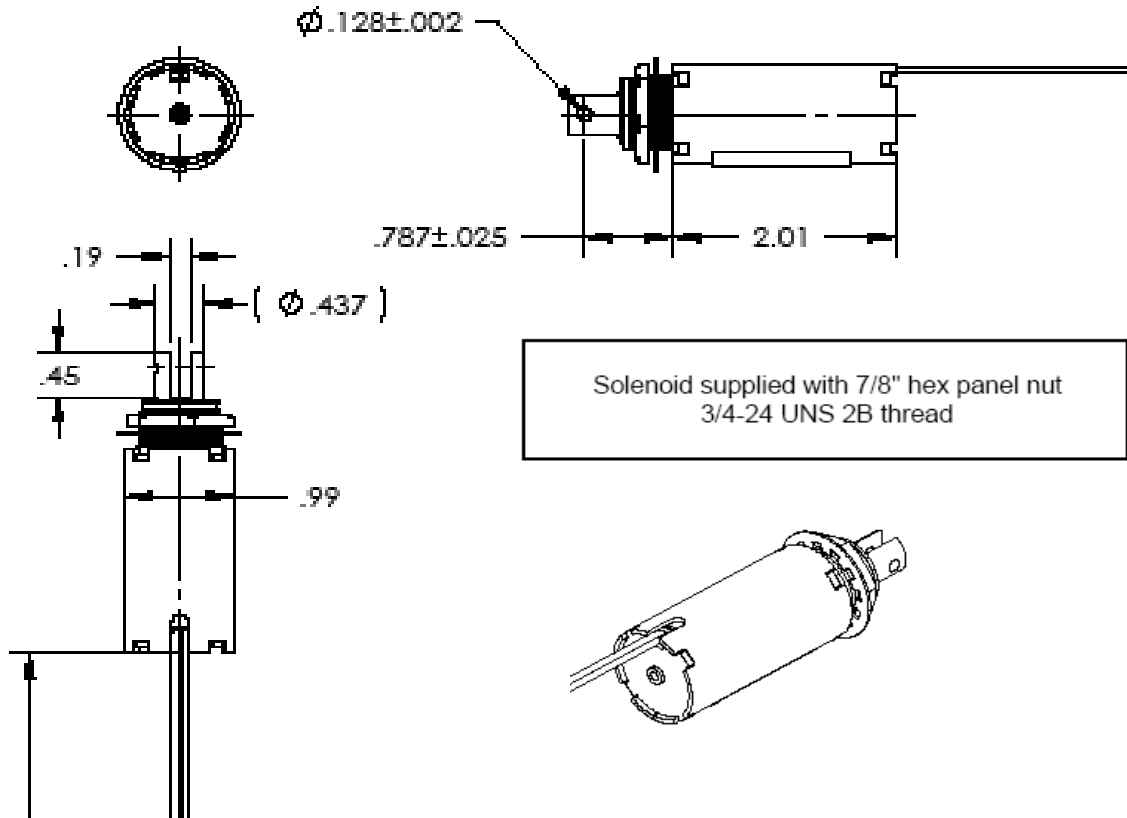
Definition of Duty Cycles:

Continuous = indefinite activation; **Intermittent** = 1 minute ON and 3 minutes OFF; **Pulse** = 100msec. ON and 900 msec. OFF

Special order options: 6 to 48 Volts, DC only; push-type configuration. Consult factory for other modifications.

Stroke (in.):	Sealed	1/16	1/8	1/4	3/8	1/2	3/4	7/8
Cont. Duty force	165 oz.	104 oz.	56 oz.	23 oz.	12 oz.	8 oz.	5 oz.	N/A
Int. Duty force	195 oz.	160 oz.	118 oz.	80 oz.	53 oz.	35 oz.	16 oz.	12 oz.

Typical force values when operated at 100% rated voltage at 25°C. Derating required for lower voltage and higher temperature.



Minimum lead length 6 inches.

Solenoid shown energized, with plunger seated

Insulation Materials: UL Construction, Class B 130°C

Copper magnet wire insulation rated 155°C (class F)

Voltage Breakdown Strength: 1500 VAC RMS Life Expectancy: 10 million operations