

D

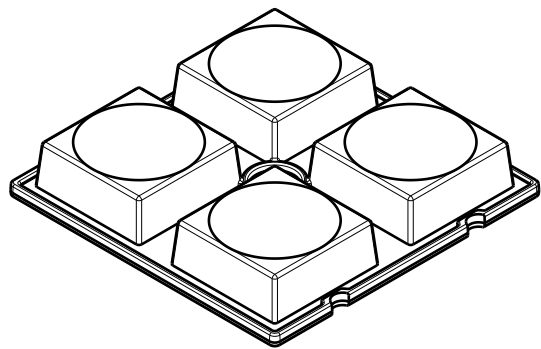
C

B

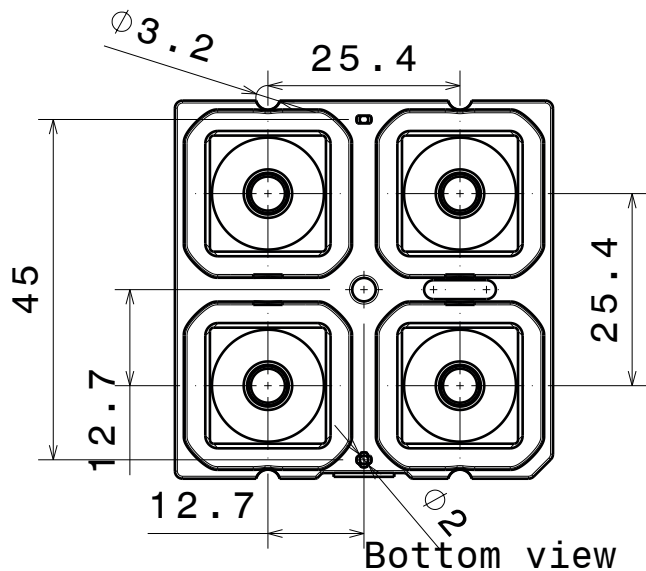
A

4

4



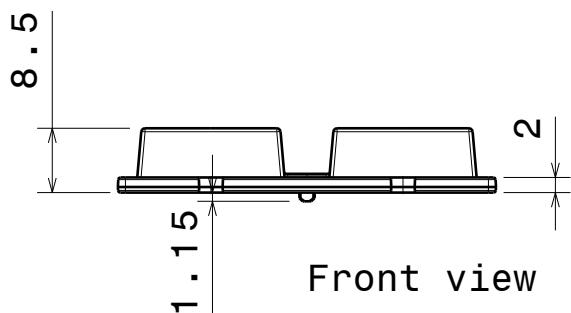
Isometric view



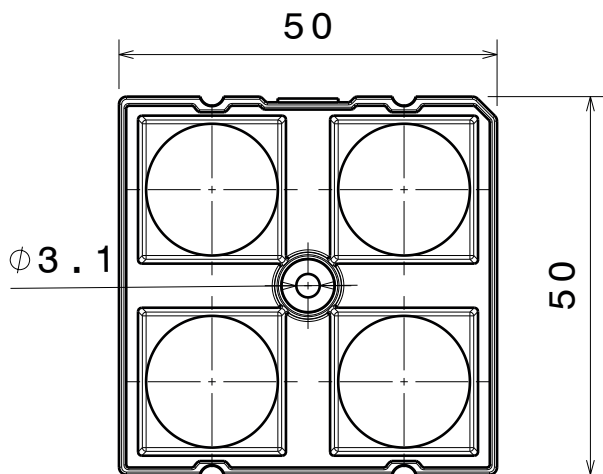
Bottom view

3

3



Front view



Top view

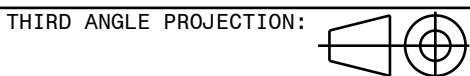
2

2

INDEX	PART NO	DESCRIPTION	MATERIAL	COLOUR
1	C13233	HB-2X2-M	PMMA	

Plastic moulding general tolerances according to DIN 16901-130 and applies if not otherwise shown in the drawing.
 Silicone moulding general tolerances according to ISO 3302-1 Class M3 and applies if not otherwise shown in the drawing.

LEDiL
 Ledil Oy
 Salorankatu 10
 FIN 24240 SALO
 Finland



DRAWING TITLE
HB-2X2-M

This drawing is the property of LEDiL Oy. It may not be reproduced, copied or communicated without a written agreement with LEDiL Oy."

SIZE
A4
C13233

SCALE 1:1 WEIGHT SHEET 1/1

D

A

1

1