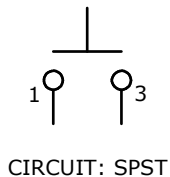
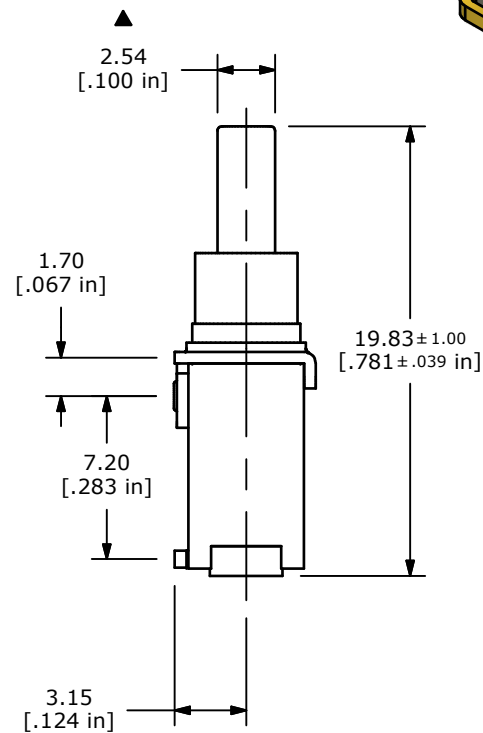
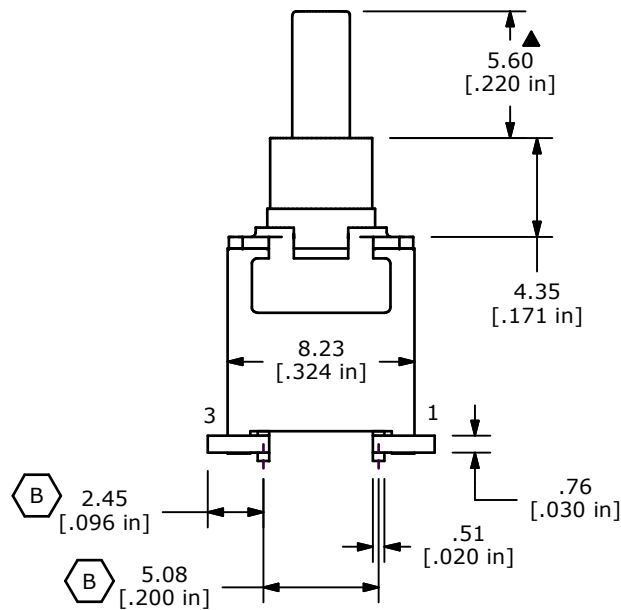


| SWITCH FUNCTION | |
|-----------------|--------|
| POS. 1 | POS. 2 |
| | |
| OFF | (ON) |
| OPEN | 1-3 |

(ON) = MOMENTARY



- NOTES:
- ALL DIMENSIONS IN MM [INCH].
 - TERMINAL NUMBERS FOR REF. ONLY.
 - GENERAL TOLERANCE: X.X=±0.4
X.XX=±0.25
 - PLATING MATERIAL: SILVER
 - RATING: 3A @ 120VAC (or 28VDC)
1A @ 250VAC
 - CONTACT RESISTANCE: 20 Milli-OHMS MAX.
 - MECHANICAL LIFE: 50,000 MAKE AND BREAK CYCLES AT FULL LOAD
 - INSULATION RESISTANCE: 1,000 MEGA-OHM MIN.
 - DIELECTRIC STRENGTH: 1,000 VRMS @ SEA LEVEL
 - OPERATING TEMPERATURE: -30°C TO 85°C
 - ▲ DENOTES CRITICAL PARAMETER
 - PACKAGED 500 PCS. / REEL
 - 2002/95/EC (ROHS) COMPLIANT.



| | | | | |
|---------------------|----------------|--------|-------------|-------|
| | | | | |
| TITLE 800BWSP9SM6QE | | | | |
| SCALE 3:1 | DATE 9/21/2009 | DR BLR | DWG T833034 | REV B |

| | | | | |
|-----|--------|------------------------|---------|-----|
| B | 21447 | CORRECT DIMENSIONS | 4/29/14 | EBP |
| A | 18621 | Release For Production | 9/21/09 | BLR |
| REV | PCR NO | DESCRIPTION | DATE | BY |

THE INFORMATION CONTAINED IN THIS DOCUMENT IS PROPRIETARY TO E-SWITCH AND IS NOT TO BE COPIED OR TRANSFERRED