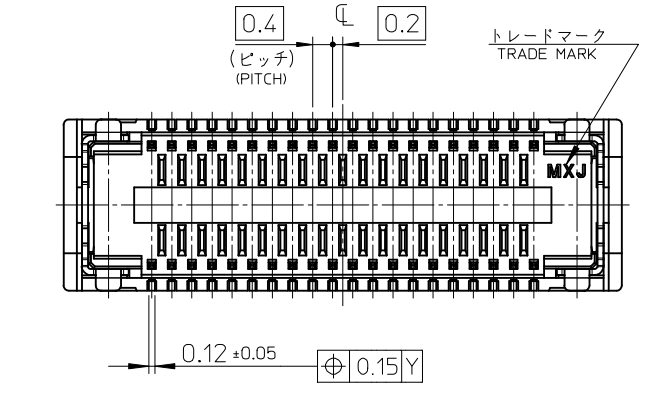
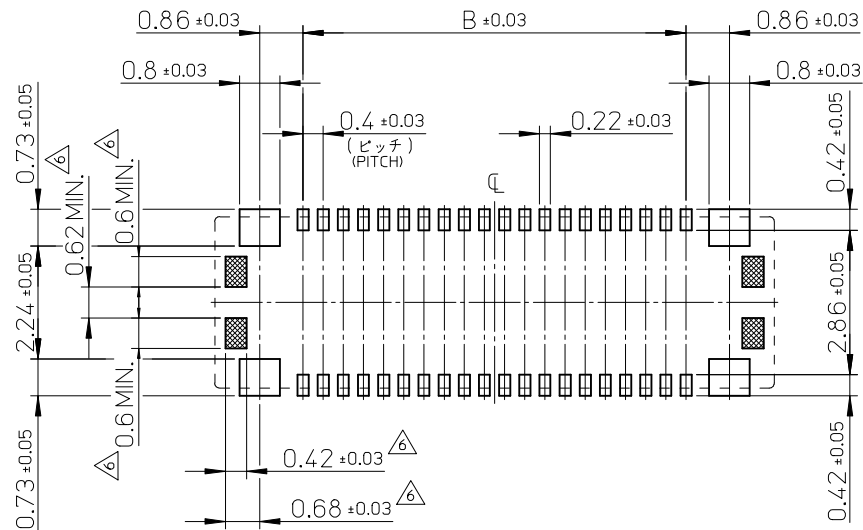


SECTION X-X



9.32	7.6	11.1	501527-0410	501527-0419	40
8.12	6.4	9.9	501527-3410	501527-3419	34
D	B	A	EMBOSSED TAPE PKG.	MATERIAL No.	CKT.
			ORDER No. オーダー番号	MODEL No. : 501527-**19	

REVISED EC NO: J2015-1111 DRWN: TARA 01 CHKD: TANAKA 03 APPR: KMORI KAWA	DESCRIPTION 2015/02/26 2015/02/26 2015/02/26	GENERAL TOLERANCES (UNLESS SPECIFIED)		DIMENSION STYLE		SCALE	DESIGN UNITS	THIRD ANGLE PROJECTION	
		0.25 UNDER ±0.03		MM ONLY		10:1	METRIC	☉	
		0.25 OVER 0.5 UNDER ±0.05	DRAWN BY RTAKEUCH		DATE	TITLE			
		0.5 OVER 1.0 UNDER ±0.1	CHECKED BY THIRATA		DATE	0.4 B-TO-B CONN. HGT=1.3 REC ASSY -LEAD FREE-			
1.0 OVER 10 UNDER ±0.2	APPROVED BY MSASAO		DATE	MATERIAL NO.					
10 OVER 30 UNDER ±0.25	ANGULAR ±3 °		SEE CHART		DOCUMENT NO.		SHEET NO.		
DRAFT WHERE APPLICABLE MUST REMAIN WITHIN DIMENSIONS		SIZE A3		THIS DRAWING CONTAINS INFORMATION THAT IS PROPRIETARY TO MOLEX INCORPORATED AND SHOULD NOT BE USED WITHOUT WRITTEN PERMISSION					



参考基板レイアウト (マウント面)
P.C. BOARD PATTERN DIMENSION (REFERENCE)
(MOUNTING AREA)

注記 NOTES

1. 使用材料 MATERIAL

ハウジング：液晶ポリマー (LCP) ガラス充填 UL94V-0 (黒)
HOUSING: LIQUID CRYSTAL POLYMER (GLASS FILLED) UL94V-0 (COLOR: BLACK)

ターミナル：りん青銅 (t=0.12)
TERMINAL : PHOSPHOR BRONZE (t=0.12)

金具：コルソン銅 (t=0.12)
FITTING NAIL : CORSON TYPE COPPER ALLOY (t=0.12)

2. メッキ仕様 PLATING

ターミナル TERMINAL

金メッキ 0.2 マイクロメートル以上 (コンタクト部)
GOLD 0.2 MICROMETER MINIMUM (CONTACT AREA)

金メッキ 0.4 マイクロメートル以下 (テール部)
GOLD 0.4 MICROMETER MAXIMUM (TAIL AREA)

下地メッキ：ニッケルメッキ 1.5 マイクロメートル以上
UNDER PLATING : NICKEL 1.5 MICROMETER MINIMUM

※コンタクト部とテール部はニッケルメッキによって分断されている金メッキです。
DIVIDE INTO PARTS THE GOLD PLATING OF THE CONTACT AND THE TAIL PART BY THE NICKEL PLATING.

金具 FITTING NAIL

半田付け処理 (金・パラジウムコート)
SOLDERABILITY IMPROVEMENT COAT (Au & Pd COAT)

下地メッキ：ニッケルメッキ 1.0 マイクロメートル以上
UNDER PLATING : NICKEL 1.0 MICROMETER MINIMUM

△3 (全極数 / 2) = 偶数の場合に適用。
APPLY FOR (CIRCUIT/2)=EVEN.

4. 嵌合相手： 501531 シリーズ
MATE WITH : 501531 SERIES.

5. テール平坦度は、0.08 以下

テール及び金具の平坦度は、0.1 以下
TAIL COPLANARITY TO BE 0.08 MAXIMUM.
TAIL AND FITTING NAIL COPLANARITY TO BE 0.1 MAXIMUM.

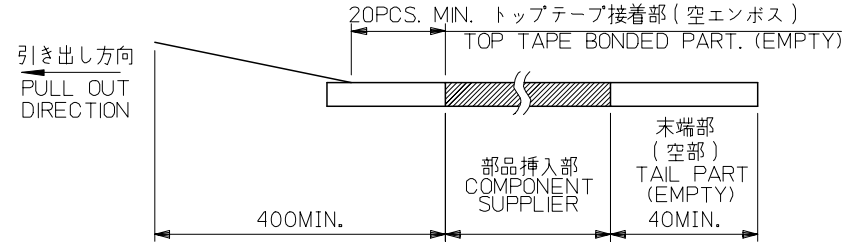
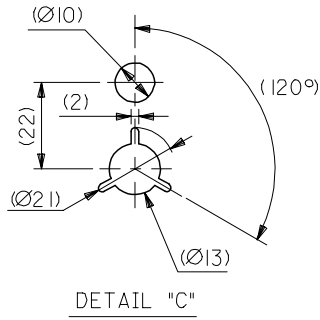
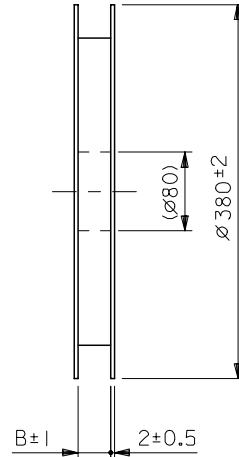
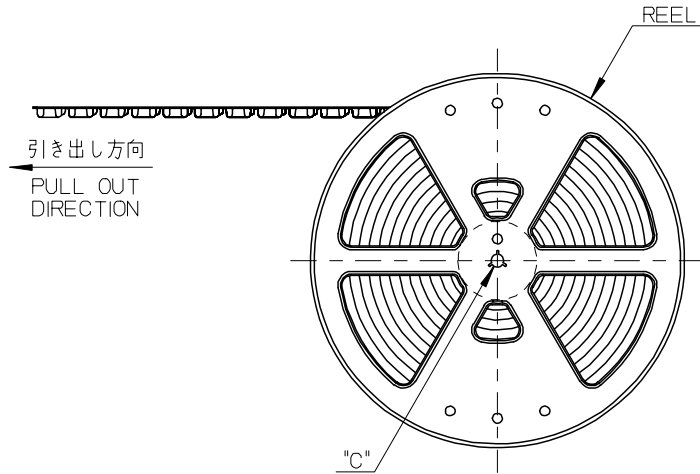
△6 斜線部はパターン書き込み禁止範囲と半田禁止範囲を示す。
ただし、斜線部に補強金具と同一配線を配置する場合はレジストを施し、この部分に半田は無きこと。
NO PATTERN CIRCUIT AND NO SOLDER ALLOWED IN THE SHADED AREA.
HOWEVER, IF NEEDED TO ADD A TRACE OF THE SAME CIRCUIT, PUT THE SOLDER-RESIST.
YET NO SOLDER ALLOWED IN THE AREA.

7. ELV and RoHS COMPLIANT.

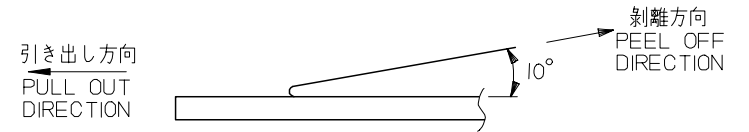
REVISED EC NO: J2015-1111 DRWN: TARA 01 2015/02/26 CHKD: K TANAKA 03 2015/02/26 APP: KMORI KAWA 2015/02/26	GENERAL TOLERANCES (UNLESS SPECIFIED)		DIMENSION STYLE MM ONLY		SCALE 10:1	DESIGN UNITS METRIC	THIRD ANGLE PROJECTION	
	0.25 UNDER	± 0.03	DRAWN BY	DATE	TITLE			
	0.25 OVER 0.5 UNDER	± 0.05	RTAKEUCH	2006/01/20	0.4 B-TO-B CONN. HGT=1.3 REC ASSY -LEAD FREE-			
	0.5 OVER 1.0 UNDER	± 0.1	CHECKED BY	DATE				
1.0 OVER 10 UNDER	± 0.2	THIRATA	2006/01/20					
10 OVER 30 UNDER	± 0.25	APPROVED BY	DATE	MATERIAL NO.		DOCUMENT NO.		SHEET NO.
30 OVER	± 0.3	MSASAO	2006/01/20	SEE SHEET 1		SD-501527-003		2 OF 2
ANGULAR ±3 °		DRAFT WHERE APPLICABLE MUST REMAIN WITHIN DIMENSIONS			THIS DRAWING CONTAINS INFORMATION THAT IS PROPRIETARY TO MOLEX INCORPORATED AND SHOULD NOT BE USED WITHOUT WRITTEN PERMISSION			

注記 NOTES

- 製品詳細寸法については製品単体図面を参照下さい。
RE DETAILED DIMENSION, SEE PRODUCT DRAWING.
- 梱包数量：6000 個/リール
NUMBER OF CONNECTORS : 6000PCS/REEL
- リードテープ長さ LEAD TAPE LENGTH



- トップテープの剥離強度：0.1N~1.3N(10gf~130gf)
(剥離方向は下図参照)
尚、本規格値は出荷時に適用。(但し、輸送時に剥離が発生しないこと。)
PEELING OFF FORCE OF TOP TAPE : 0.1N~1.3N(10gf~130gf)
(PEELING DIRECTION AS SHOWN IN FOLLOWING FIG.)
THIS REQUIREMENT SHOULD BE APPLIED AT SHIPMENT.
PEEL OFF SHOULD NOT BE ALLOWED , DURING TRANSPORTION.



- 材料 MATERIAL
キャリアテープ (CARRIER TAPE) : ポリスチレン (POLYSTYRENE)
トップテープ (TOP TAPE) : PET , PE , PEF
リール (REEL) : ポリスチレン (PS) <リサイクル材を含む>
POLYSTYRENE (PS) <RECYCLE MATERIAL CONTAINED>

MODEL NO. 501527-**10

REVISED EC NO: J2007-0841 DRW:HYAJIMA 2006/10/03 CHKD:KASAHARA 2006/10/04 APPR:NUKITA 2006/10/05	DESCRIPTION	GENERAL TOLERANCES (UNLESS SPECIFIED)		DIMENSION STYLE MM ONLY		SCALE ---	DESIGN UNITS METRIC	THIRD ANGLE PROJECTION		
		10 UNDER	± ---	DRAWN BY RTAKEUCHI	DATE 2006/01/20	TITLE 0.4 B-TO-B CONN. HGT=1.3 REC ASSY EMBSTP PKG -LEAD FREE-				
		10 OVER 30 UNDER	± ---	CHECKED BY THIRATA	DATE 2006/01/20	APPROVED BY MSASAO 2006/01/20				
		30 OVER	± ---	APPROVED BY MSASAO 2006/01/20		MATERIAL NO.		DOCUMENT NO. SD-501527-004		
A	REV	DRAFT WHERE APPLICABLE MUST REMAIN WITHIN DIMENSIONS		SIZE A3		SEE CHART		SHEET NO. 1 OF 2		

10 9 8 7 6 5 4 3 2 1

F

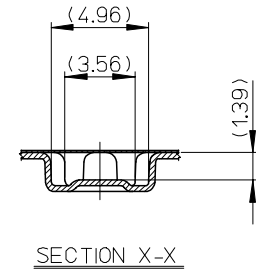
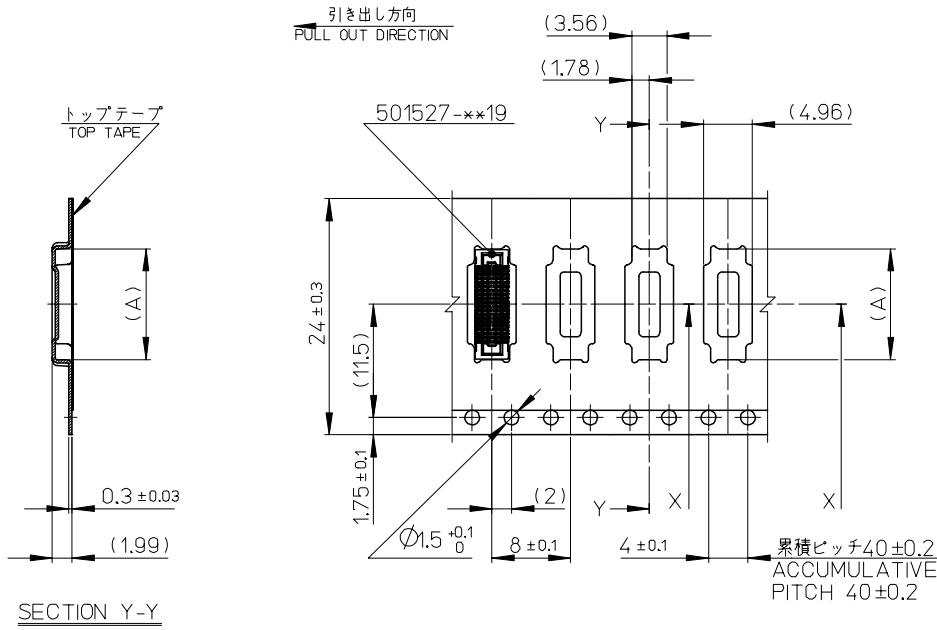
E

D

C

B

A



24mm 幅キャリアテープ
24mm WIDTH CARRIER TAPE

24	25.5	11.26	501527-0410	40
		10.06	501527-3410	34
キャリアテープ幅 CARRIER TAPE WIDTH	B	(A)	MATERIAL No.	CKT.
			MODEL No.	501527-**10

REVISED EC NO: J2007-0841 DRW: HVAJIMA 2006/10/03 CHK: KASAHARA 2006/10/04 APPR: NUKITA 2006/10/05	GENERAL TOLERANCES (UNLESS SPECIFIED)		DIMENSION STYLE MM ONLY	SCALE ---	DESIGN UNITS METRIC	THIRD ANGLE PROJECTION
	10 UNDER	±---	DRAWN BY RTAKEUCHI	DATE 2006/01/20	TITLE 0.4 B-TO-B CONN. HGT=1.3 REC ASSY	
	10 OVER 30 UNDER	±---	CHECKED BY THIRATA	DATE 2006/01/20	EMBSTP PKG -LEAD FREE-	
	30 OVER	±---	APPROVED BY MSASAO	DATE 2006/01/20	MOLEX INCORPORATED	
	ANGULAR ±---	DRAFT WHERE APPLICABLE MUST REMAIN WITHIN DIMENSIONS	MATERIAL NO. SEE CHART	DOCUMENT NO. SD-501527-004	SHEET NO. 2 OF 2	

9

8

7

6

5

4

3

2