

CN1
DC PLUG

CN2
USB AM

1000±30

11.0±0.5

28±0.5

12±0.5

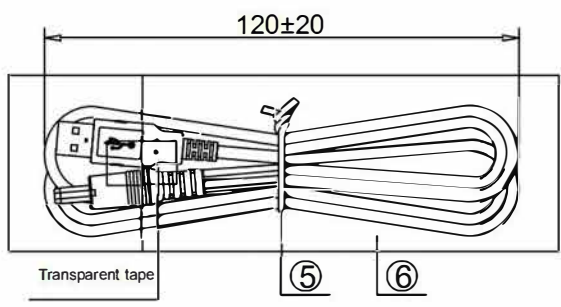
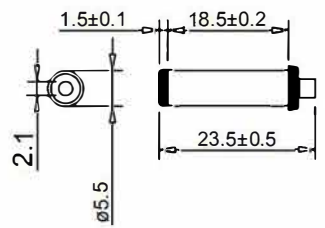
7.6

Mold: EM-x-xxx

Mold: EM-x-xxx

Wiring diagram		Core wire color	
DC		USB	
1	Red	1	
2	Black	4	

1. All parts conform to RoHS standard.)
2. Operating temperature -10°C~ 60°C, 90%RH (no condensation)
3. No-load rated voltage 6.3V, rated current 2.0A
4. Plug test: 5000 times
5. Test requirement:
 - 5.1 100% OPEN SHORT TEST. (100% OPEN SHORT TEST.)
 - 5.2 Conduction resistance: 3Ω Max.
 - 5.3 Insulation resistance: DC300V 10MΩ Min.0.5s 4. Withstand voltage: AC100V 2mA.0.5s



6	PE bag	polybag:W:90*L:220mm (T:0.06mm) PE	1PCS
5	TIE	Tie L=100mm black	1PCS
4	USB AM	USB AM Terminal gold plated 1-3U' White rubber core	1PCS
3	Plug material	PVC 45P black(BK01)	6.8g
2	DC plug	(PLUG):OD:5.5±0.1 ID:2.1 L=23.5mm	1PCS
1	ccable	26AWG*2C OD:3.0 black L=1000mm	1PCS
NO			

A-01 ...
mm