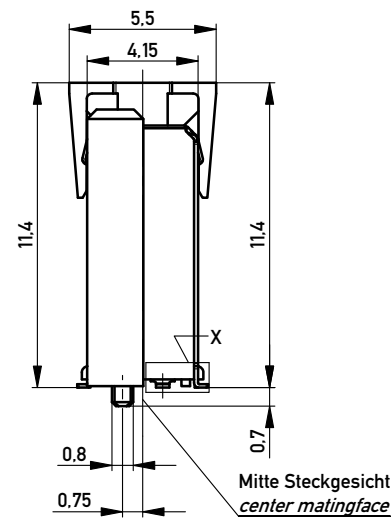
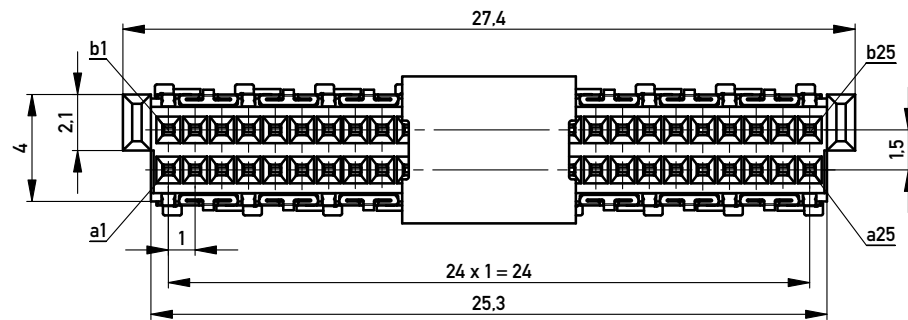
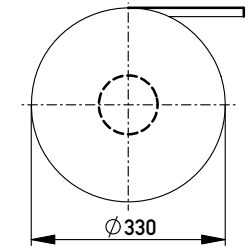


Montagehaube  
hood

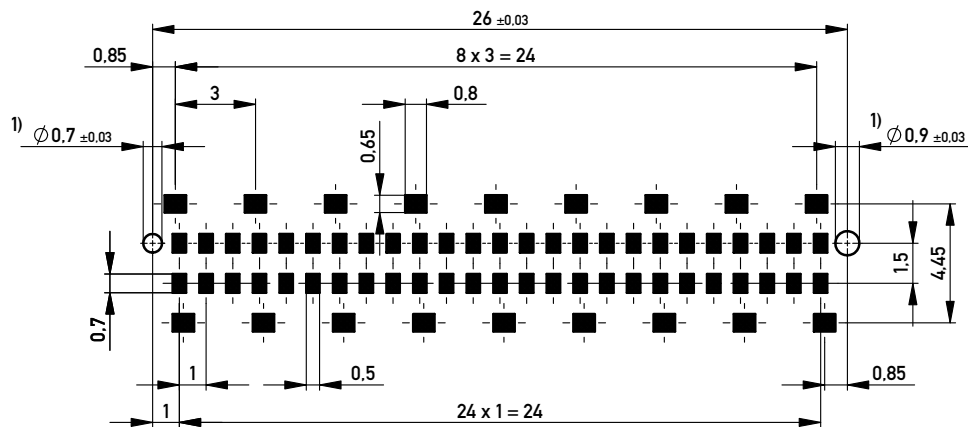


Mitte Steckgesicht  
center mating face

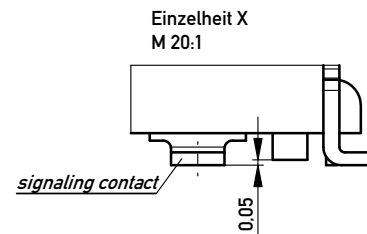
Verpackt in Gurtverpackung  
Tape on Reel Packaging  
Verpackungseinheit: 260 Stück  
Packaging unit: 260 pcs



Leiterplatten-Layout Vorschlag / PCB-layout proposal

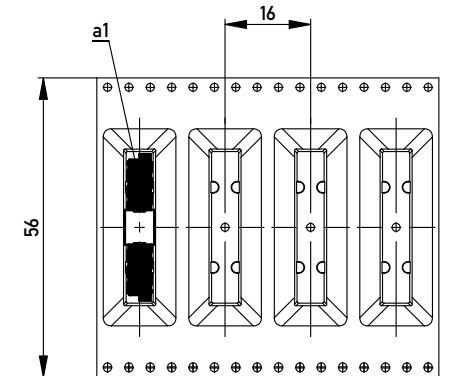


1) Durchmesser des Bohrers / Drill tool



signaling contact

Abspulrichtung - Reel off Direction



Anforderungsstufe 1  
Performance Level 1

Kontaktbereich vergoldet  
Mating Area gold plating

Anschlussbereich verzinkt 4-6 µm  
Terminal Area 4-6 µm tin plating

Koplanarität der Anschlüsse ≤ 0.1 mm  
Coplanarity Area of Termination ≤ 0.1 mm

Information:	Tolerances	 All Dimensions in mm	Scale	5:1
	All rights reserved. Only for Information. To ensure that this is the latest version of this drawing, please contact one of the ERNI companies before using.			
Subject to modification without prior notice. Drawing will not be updated.	Designation			
	<b>F10 MSpeed BlindMate 50 SMD</b>			
www.ERNI.com		<b>354180</b>		I
c	25.04.2013	Class		A3
Index	Date	MSPEED		

Copyright by ERNI GmbH  
Proprietary notice pursuant to ISO 9006 to be observed.