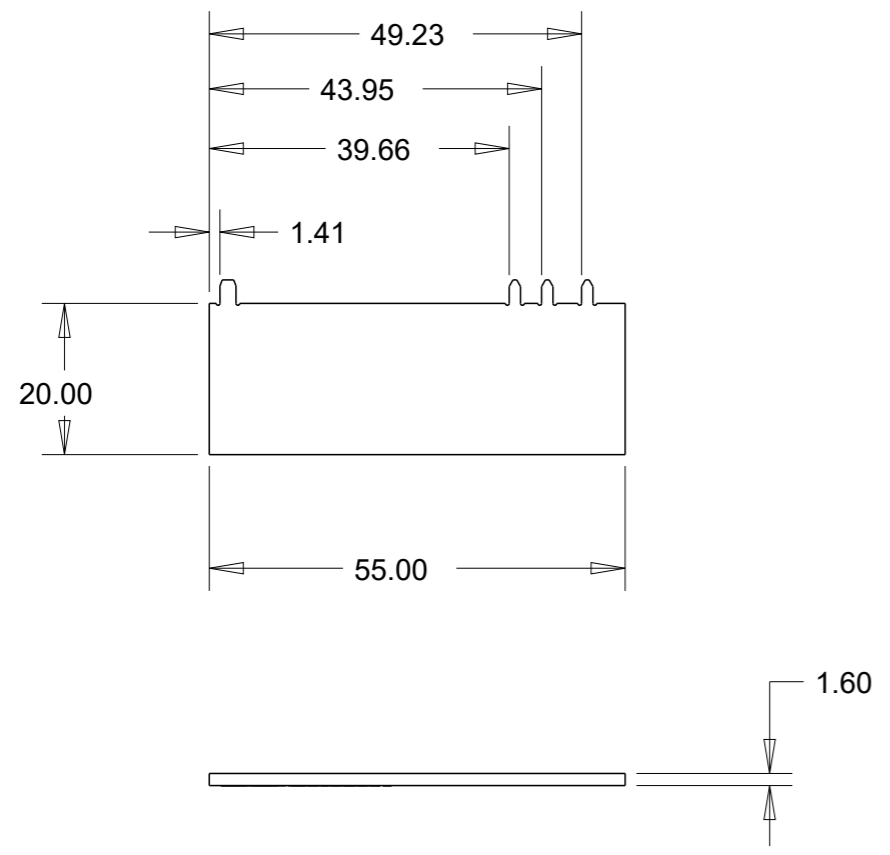


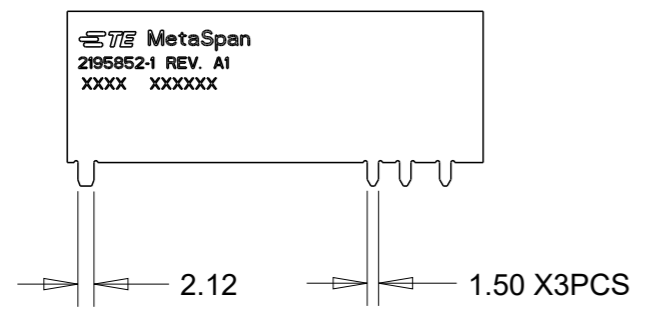
© 2020 TE Connectivity. All Rights Reserved.


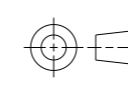
REVISIONS					
P	LTR	DESCRIPTION	DATE	DWN	APVD
	1	NEW DRAWING	08DEC2020	DC	AC
	A	GO TO PRODUCTION	14DEC2020	DC	AC
	A1	+METASPAN LOGO	06JAN2021	DC	AC



- FABRICATE TO MEET IPC - 6012, CLASS 2.  
INSPECT TO MEET IPC - A - 600, CLASS 2.
- MATERIAL :FR-4,PCB, THICK 1.6mm
- FINISH
  - SOLDERMASK BOTH SIDE : ORANGE
  - ENING PLATING
- PACKAGE SIGULATED PARTS TO BE SECURELY BAG WRAPPED, BAGGED OR VACUUM PACKED IN BULK
- CONSULT TE CONNECTIVITY DATA SHEET DS2195852
- SILKSCREEN WHITE EPOXY INK
  - TE LOGO TE P/N
  - WORD REV, FOLLOWED BY THE LATEST REVISION LETTER AS SHOWN.
  - 4 DIGIT DATA CODE: FIRST 2 DIGITS FOR THE WEEK CODE AND THE 2ND 2 DIGITS FOR THE YEAR CODE  
OTHERS: SPECIFIC TE INTERNAL USE ONLY.
- GENERAL TOLERANCE +/-0.2mm

TE PN	2195852-1
-------	-----------



THIS DRAWING IS A CONTROLLED DOCUMENT.		DWN 08DEC2020 DC HSIANG	 TE Connectivity		
DIMENSIONS: mm		CHK 08DEC2020 SHIN HOO			
		APVD 08DEC2020 AMOS CHEAH	NAME PCB Ant, 5G-2G, CAT-M, WORLD BAND		
TOLERANCES UNLESS OTHERWISE SPECIFIED:		PRODUCT SPEC	-		
0 PLC ±-		APPLICATION SPEC	-		
1 PLC ±0.5		WEIGHT	-		
2 PLC ±0.13		SIZE	A3	CAGE CODE	
3 PLC ±0.013		DRAWING NO	G-2195852		
4 PLC ±0.0001		RESTRICTED TO	-		
ANGLES ±-		SCALE	1:1		
MATERIAL	TBD	SHEET	1 OF 1		
FINISH	finish_spec_2	REV	A1		
-		CUSTOMER DRAWING			