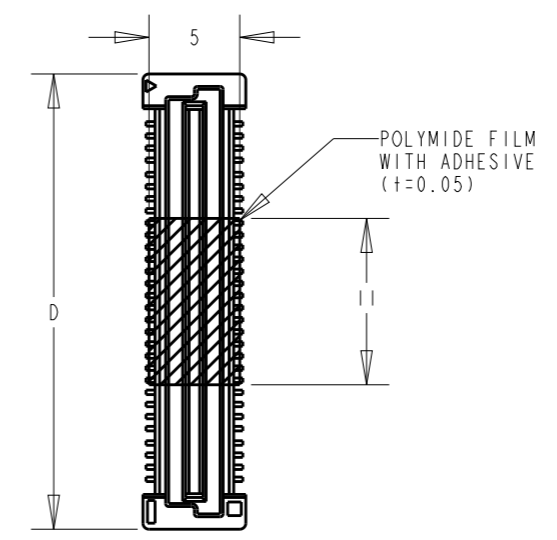
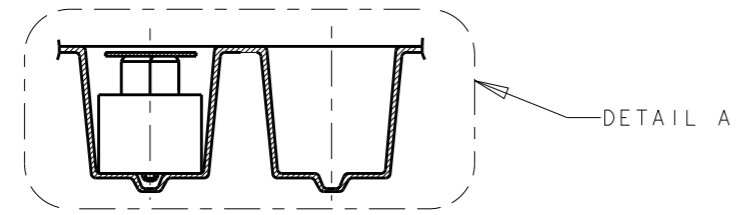
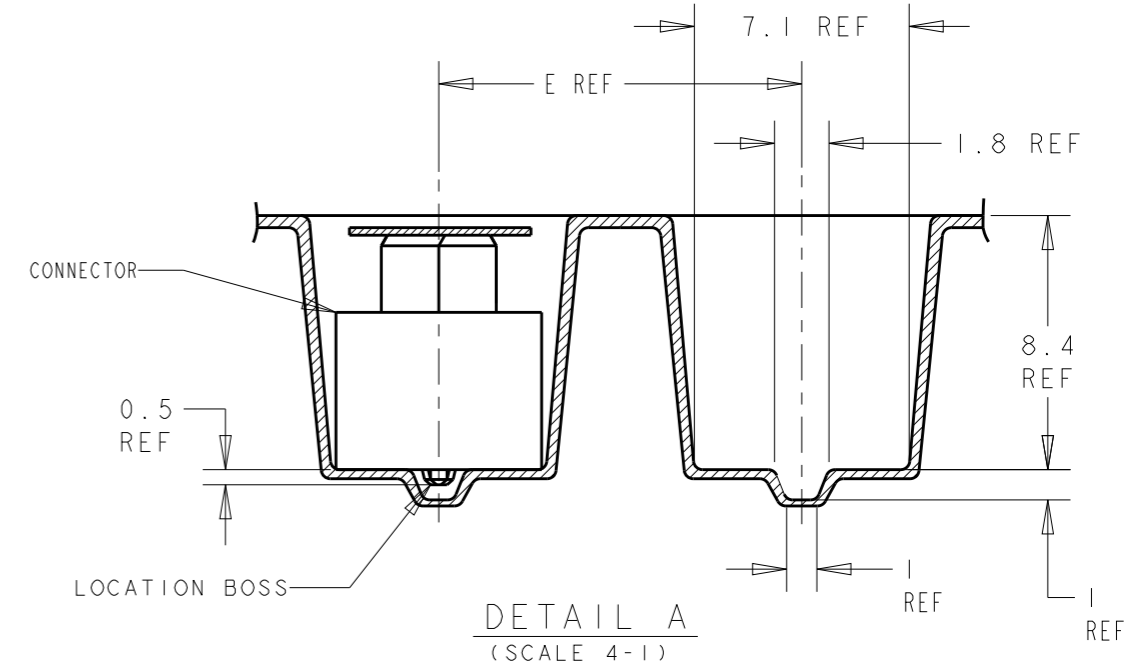
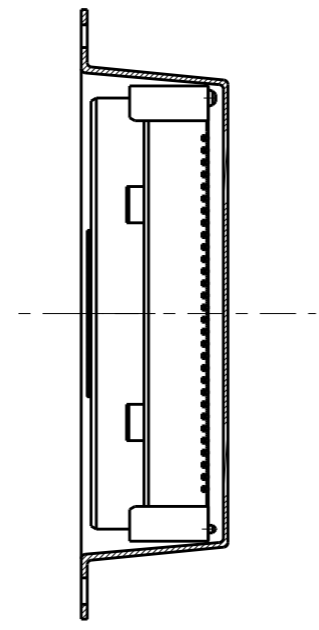
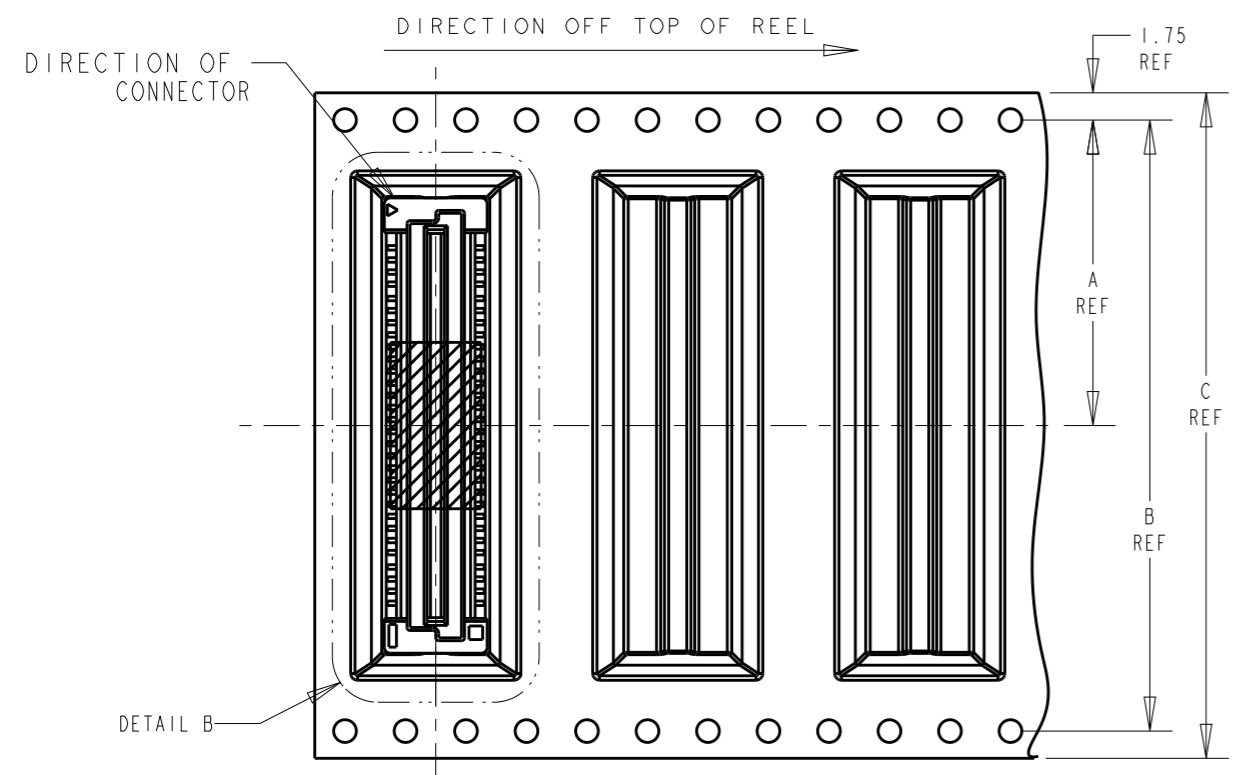
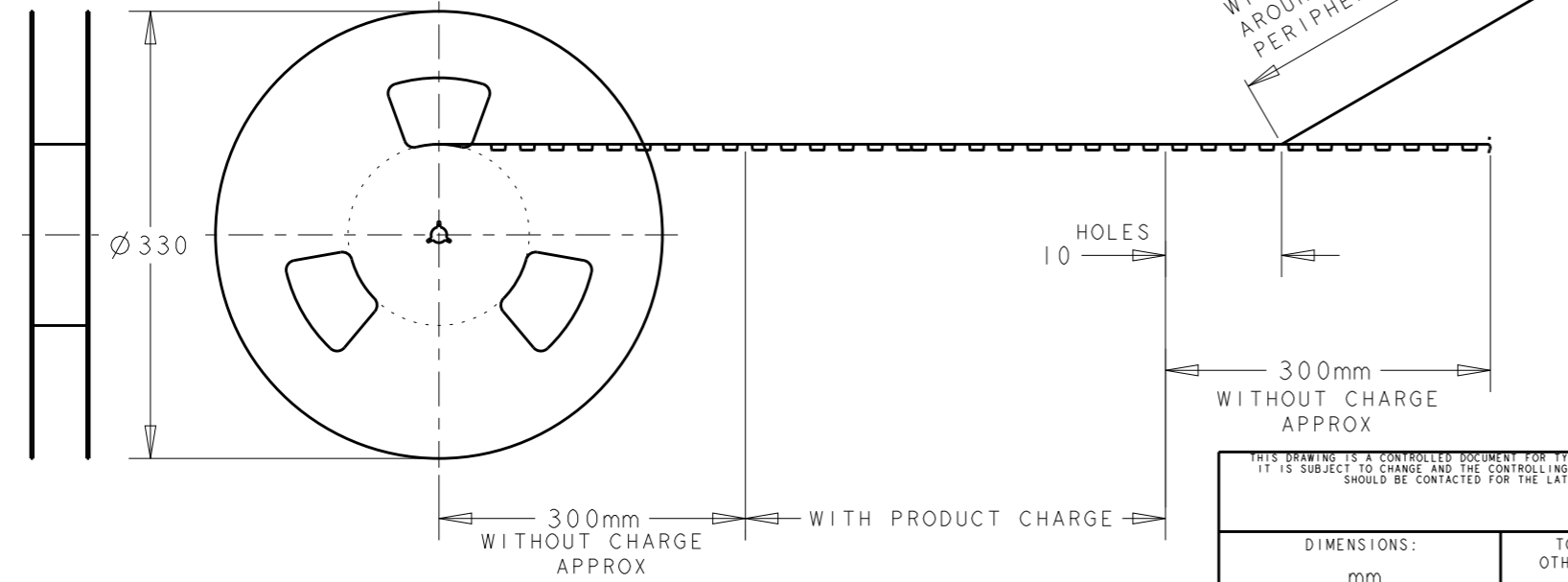


THIS DRAWING IS UNPUBLISHED. RELEASED FOR PUBLICATION
 © COPYRIGHT BY TYCO ELECTRONICS CORPORATION. ALL RIGHTS RESERVED.

LOC	DIST	REVISIONS					
		P	LTR	DESCRIPTION	DATE	DWN	APVD
DY	-		AI	REVISED PER ECO-17-018857	14DEC2017	R.L	H.L



NOTES:
 1 MATERIAL:
 HOUSING: HIGH TEMP THERMOPLASTICS UL94-V0
 CONTACTS: COPPER ALLOY
 2 FINISH:
 UNDERPLATE: 1.3um MIN NICKEL
 MATING AREA: 0.2um MIN AU
 SOLDERTAIL: 2.0um MIN TIN-LEAD



NOT AVAILABLE	400	9H	16	53.8	72	68.4	34.2	120	1735435-5
AVAILABLE	400	9H	16	45.8	72	68.4	34.2	100	1735435-4
NOT AVAILABLE	500	9H	12	29.8	44	40.4	20.2	60	1735435-2
AVAILABLE	500	9H	12	21.8	32	28.4	14.2	40	1735435-1
REMARKS	QTY	HEIGHT TYPE	E	D	C	B	A	POS	PART NO.

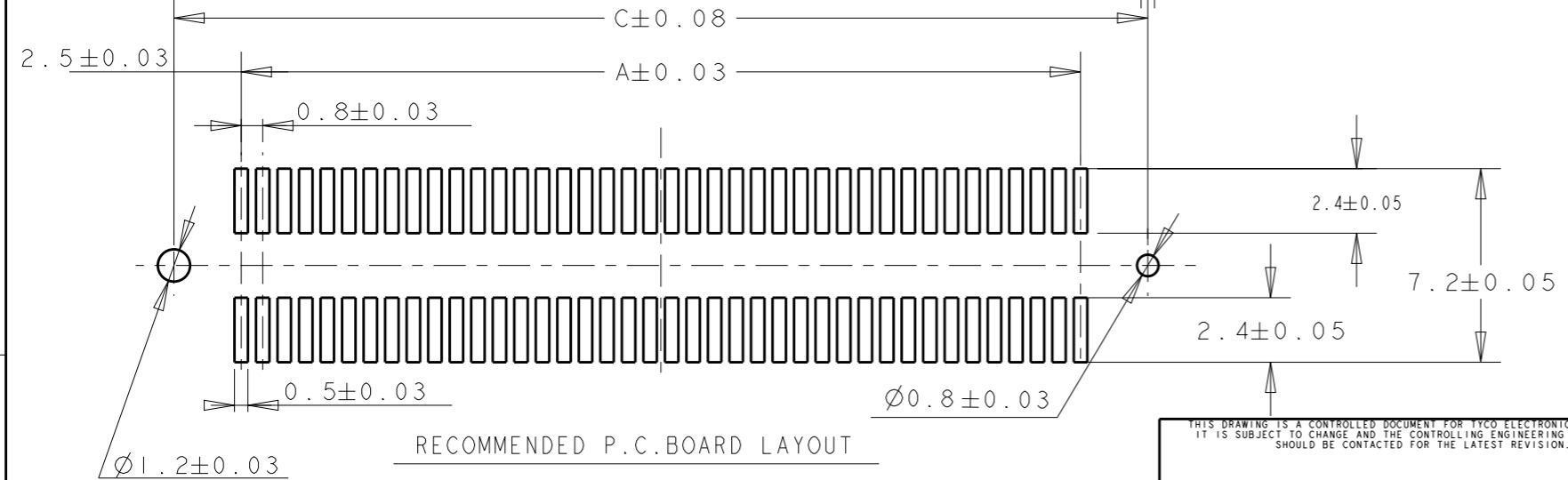
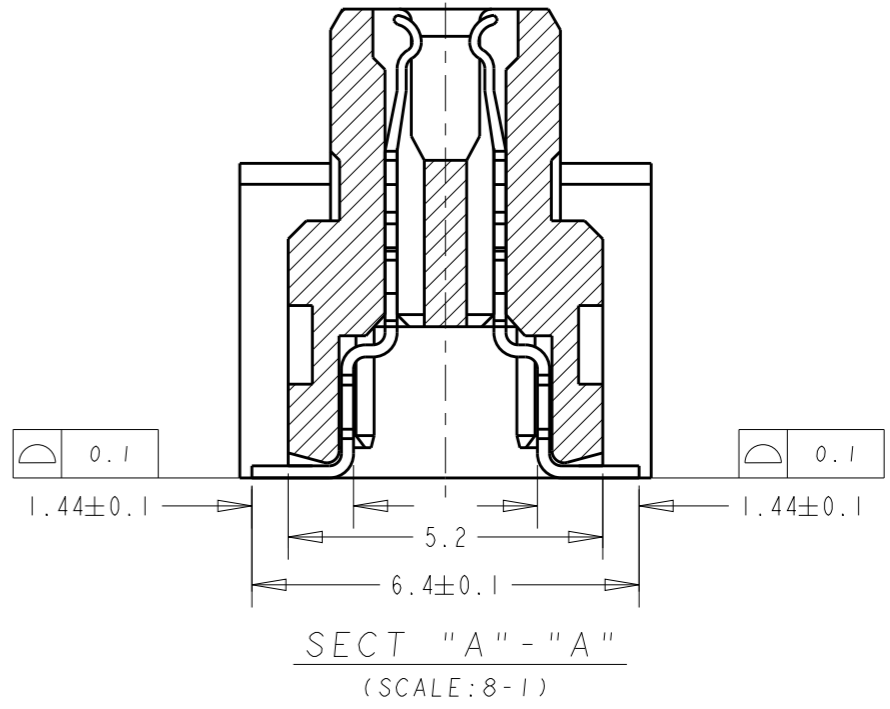
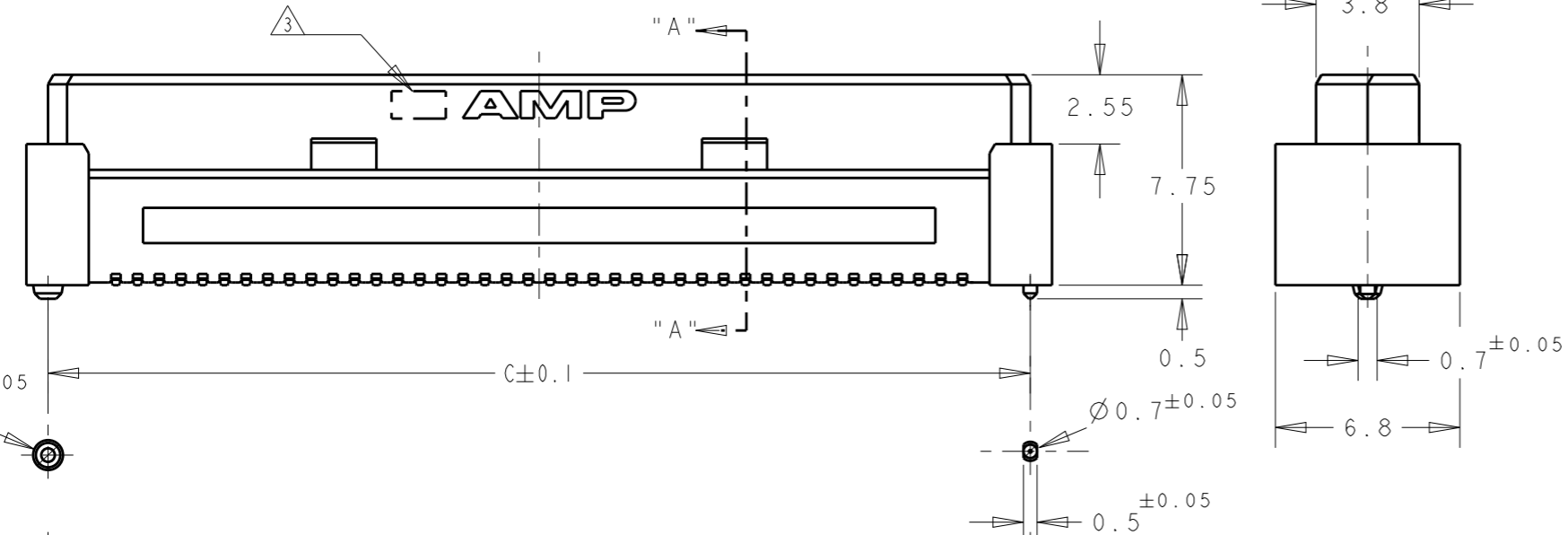
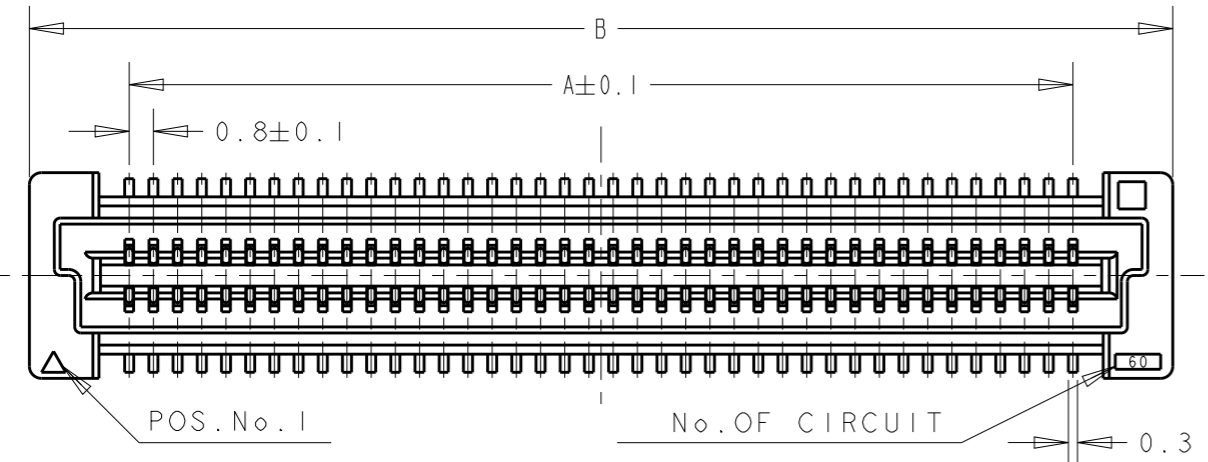
THIS DRAWING IS A CONTROLLED DOCUMENT FOR TYCO ELECTRONICS CORPORATION. IT IS SUBJECT TO CHANGE AND THE CONTROLLING ENGINEERING ORGANIZATION SHOULD BE CONTACTED FOR THE LATEST REVISION.		DWN WYLEE 18MAY2007	Tyco Electronics Singapore Pte. Ltd.	
DIMENSIONS: mm		CHK YJ SEE	NAME RECEPTACLE ASSY FOR 0.8 FH BTB CONN. 9mm HEIGHT (0.5mm BOSS LENGTH), ON EMBOSS TAPING WITH POLYIMIDE FILM, LF	
TOLERANCES UNLESS OTHERWISE SPECIFIED: 0 PLC ± - 1 PLC ± 0.3 2 PLC ± 0.25 3 PLC ± 0.2 4 PLC ± - ANGLES ± 3°		APVD SF LEONG	PRODUCT SPEC 108-5390	
MATERIAL		FINISH	APPLICATION SPEC 114-5254	RESTRICTED TO
1		2	WEIGHT -	SIZE A3
CUSTOMER DRAWING		SCALE 2:1		SHEET 1 OF 2

(AI) ADD CONNECTOR INFORMATION SHEET

THIS DRAWING IS UNPUBLISHED. RELEASED FOR PUBLICATION
 © COPYRIGHT BY TYCO ELECTRONICS CORPORATION. ALL RIGHTS RESERVED.

LOC DY	DIST -	REVISIONS		
P	LTR	DESCRIPTION	DATE	DWN APVD
		SEE SHEET 1		

LOW HALOGEN



52.20	53.80	47.20	120	-5
44.20	45.80	39.20	100	-4
28.20	29.80	23.20	60	-2
20.20	21.80	15.20	40	1735435-1
C	B	A	POS.	PART No.

NOTES:
 1 MATERIAL: HOUSING: L.C.P. (HIGH TEMP. THERMOPLASTIC)
 UL 94V-0, NATURAL.
 CONTACT: BERYLIUM COPPER.
 2 FINISH: CONTACT AREA: 0.0002 MIN GOLD ON
 0.0013 MIN ALL OVER NICKEL.
 SOLDERING AREA: 0.002 MIN MATTE-TIN
 3 MANUFACTURE PLANT LOCATION MARK. QINGDAO:

THIS DRAWING IS A CONTROLLED DOCUMENT FOR TYCO ELECTRONICS CORPORATION
 IT IS SUBJECT TO CHANGE AND THE CONTROLLING ENGINEERING ORGANIZATION
 SHOULD BE CONTACTED FOR THE LATEST REVISION.

DIMENSIONS: mm	TOLERANCES UNLESS OTHERWISE SPECIFIED:
	0 PLC ± -
	1 PLC ± 0.3
	2 PLC ± 0.25
	3 PLC ± 0.2
	4 PLC ± -
	ANGLES ± 3°
MATERIAL	FINISH

DWN WYLEE 18MAY2007
 CHK YJ SEE
 APVD SF LEONG
 PRODUCT SPEC 108-5390
 APPLICATION SPEC 114-5254
 WEIGHT -
 CUSTOMER DRAWING

Tyco Electronics Tyco Electronics Singapore Pte. Ltd.

NAME RECEPTACLE ASSY FOR 0.8 FH BTB CONN.
 9mm HEIGHT (0.5mm BOSS LENGTH), ON
 EMBOSS TAPING WITH POLYIMIDE FILM, LF

SIZE A3	CAGE CODE 00779	DRAWING NO G-1735435	RESTRICTED TO
------------	--------------------	-------------------------	---------------

SCALE 2:1 SHEET 2 OF 2 REV A1