

## Angled 45° Precision RF Coax Connectors

### RF Solutions

The Johnson™ Angled 45° Precision RF PCB Mount Connectors are designed to offer mid-board launch of RF signals in tight enclosures as well as board to board applications, where there may be height restrictions for Vertical Mount and width restrictions for an end launch connector.

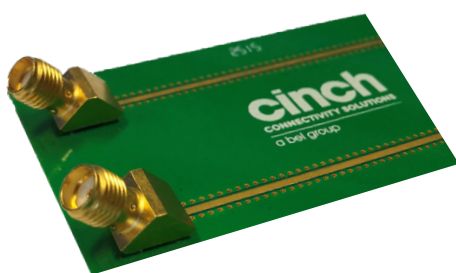
The mmWave connectors (1.85mm, 2.4mm, and 2.92mm) are designed for tight enclosures, utilizing a solderless contact to the PCB surface and two screws for quick and easy mounting to save on installation time, and support frequencies up to 67 GHz. The SMA connector supports 18 GHz and is a thru-hole, solder version. The parts are designed for excellent RF performance, high reliability and repeatability.

### Features

- Mating interfaces: 1.85mm, 2.4mm, 2.92mm, and SMA
- Frequency range: 67 GHz for the 1.85mm, 50 GHz for the 2.4mm, 40 GHz for the 2.92mm, and 18 GHz for the SMA
- VSWR performance: 1.25 from DC to 26.5 GHz and 1.5 Max from 26.5 GHz to 67 GHz
- Gold-plated beryllium copper body
- Rated to 500 mating cycles
- Field-replaceable

### Applications

- Test & measurement - vector network analyzer (VNA)
- Instrumentation test fixture equipment
- Design validation testing
- Board characterization
- Semiconductor
- Military/defense
- Radar/satellite

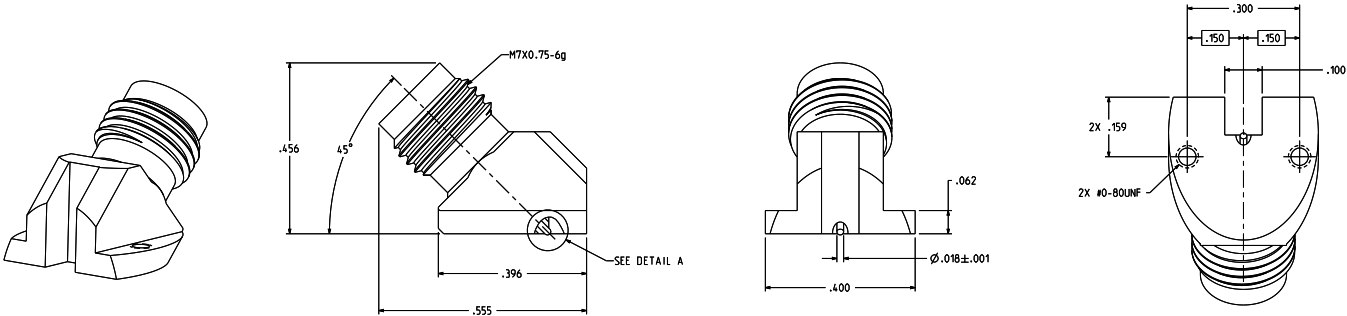


# Angled 45° Precision RF Coax Connectors



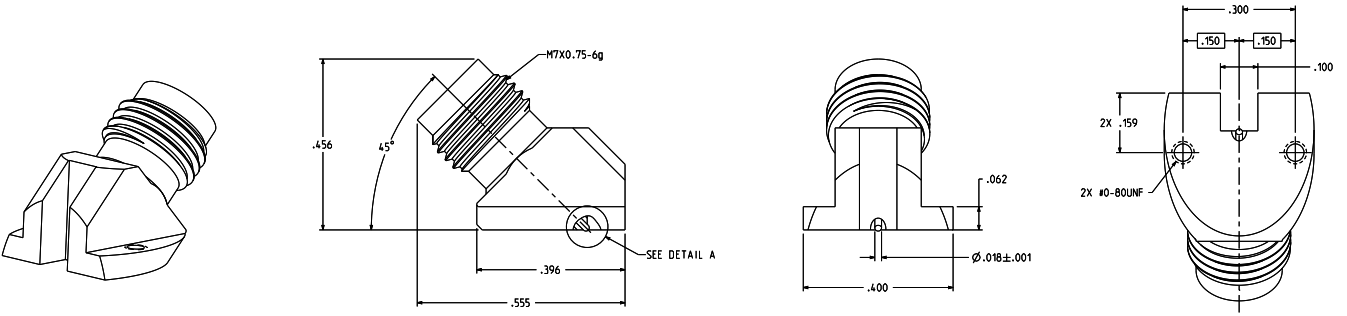
## 1.85mm Jack, 45° PCB Mount

Part Number	Material	Impedance	VSWR	Frequency Range
148-0701-221	Beryllium Copper, Gold-Plated	50 Ohms	1.5 Max to 67 GHz	DC - 67 GHz



## 2.4mm Jack, 45° PCB Mount

Part Number	Material	Impedance	VSWR	Frequency Range
147-0701-281	Beryllium Copper, Gold-Plated	50 Ohms	1.5 Max to 50 GHz	DC - 50 GHz

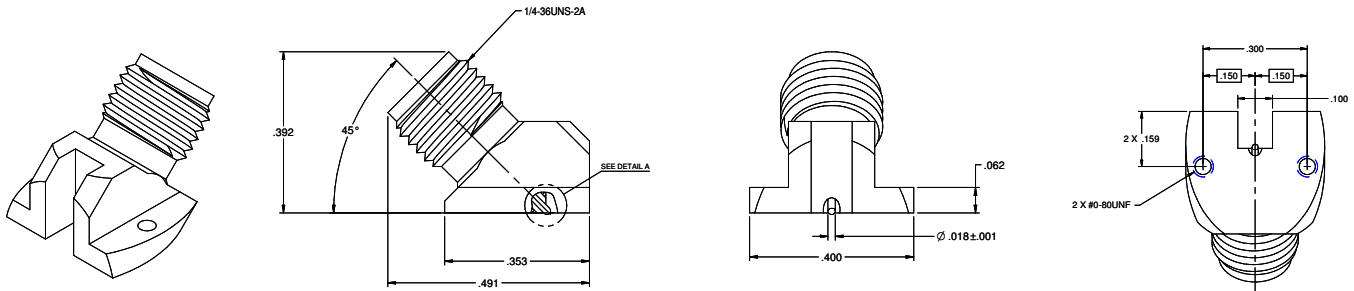


# 45° PCB Mount Coax Connectors



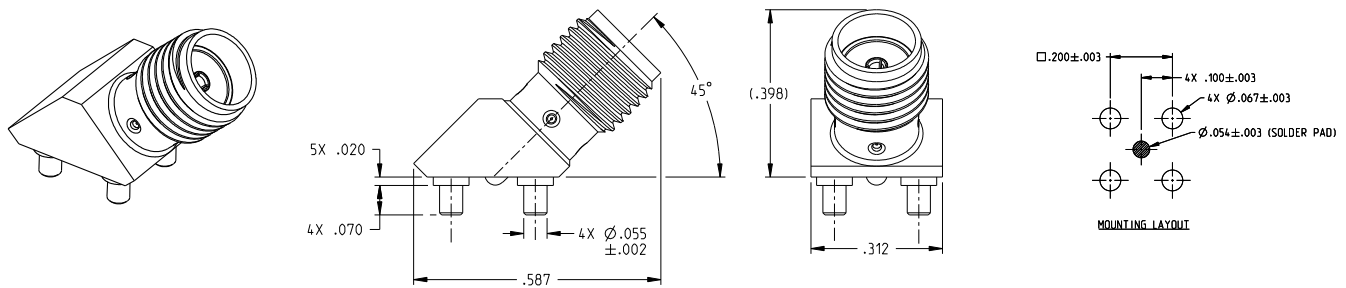
## 2.92mm Jack, 45° PCB Mount

Part Number	Material	Impedance	VSWR	Frequency Range
145-0701-221	Beryllium Copper, Gold-Plated	50 Ohms	1.25 Max to 26.5 GHz 1.50 Max to 40 GHz	DC - 40 GHz



## SMA Jack, 45° PCB Mount

Part Number	Material	Impedance	VSWR	Frequency Range
142-0711-271	Beryllium Copper, Gold-Plated	50 Ohms	1.50 Max	DC - 18 GHz



Asia Pacific  
+86 21 5442 7668  
ccs.asia.sales@as.cinch.com

Europe, Middle East & Africa  
+44 (0) 1245 342060  
cinchconnectivity@eu.cinch.com

North America  
+1 507 833 8822  
ccsorders@us.cinch.com

[belfuse.com/cinch](http://belfuse.com/cinch)