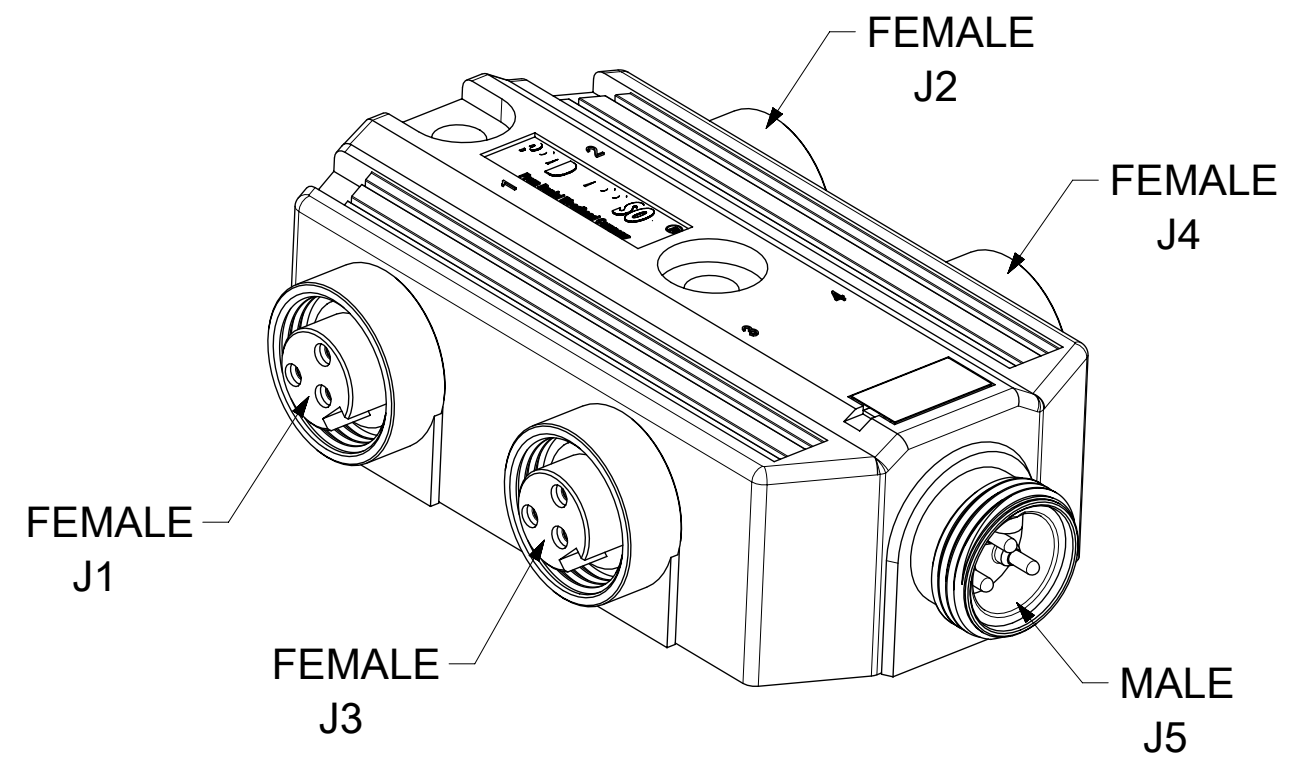
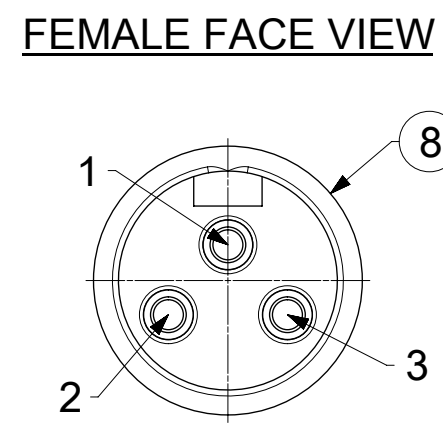
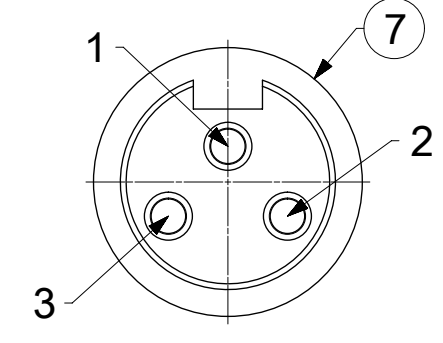
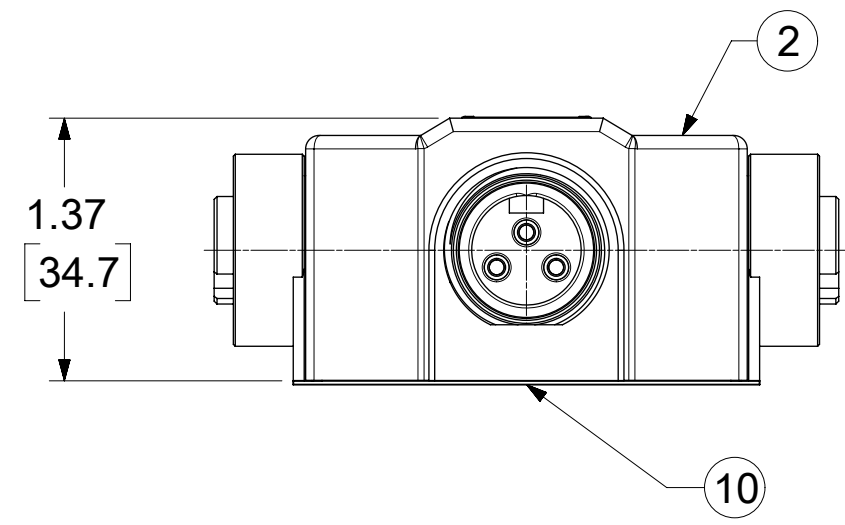
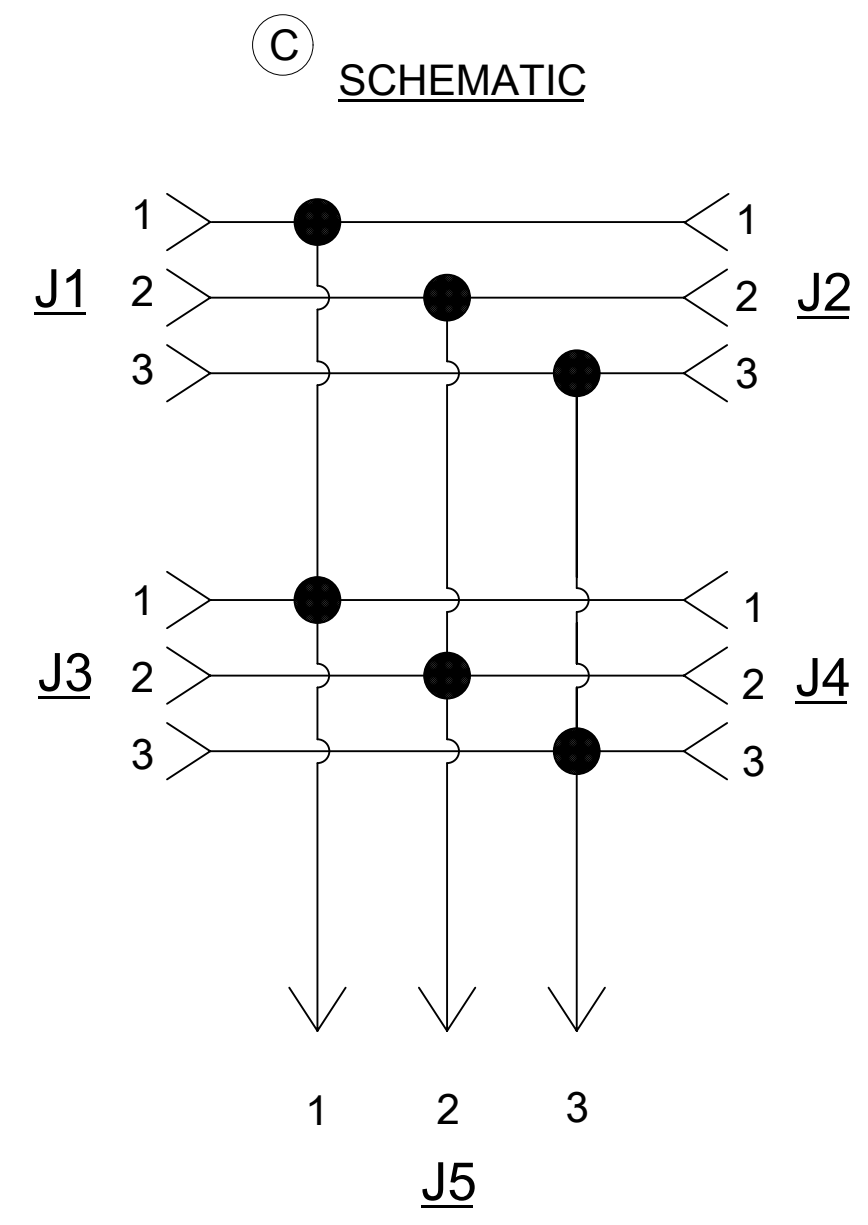
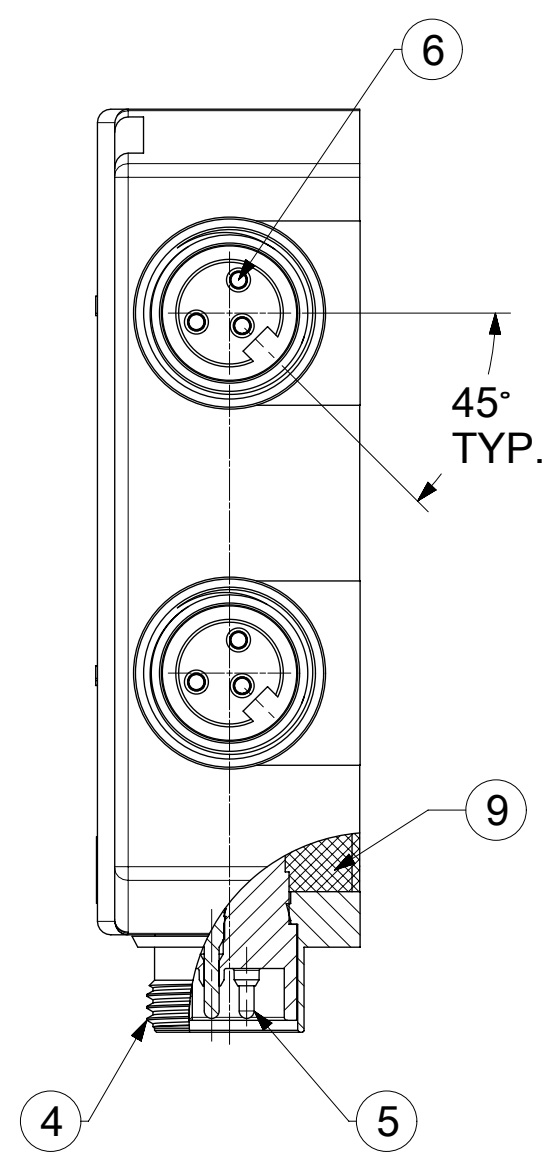
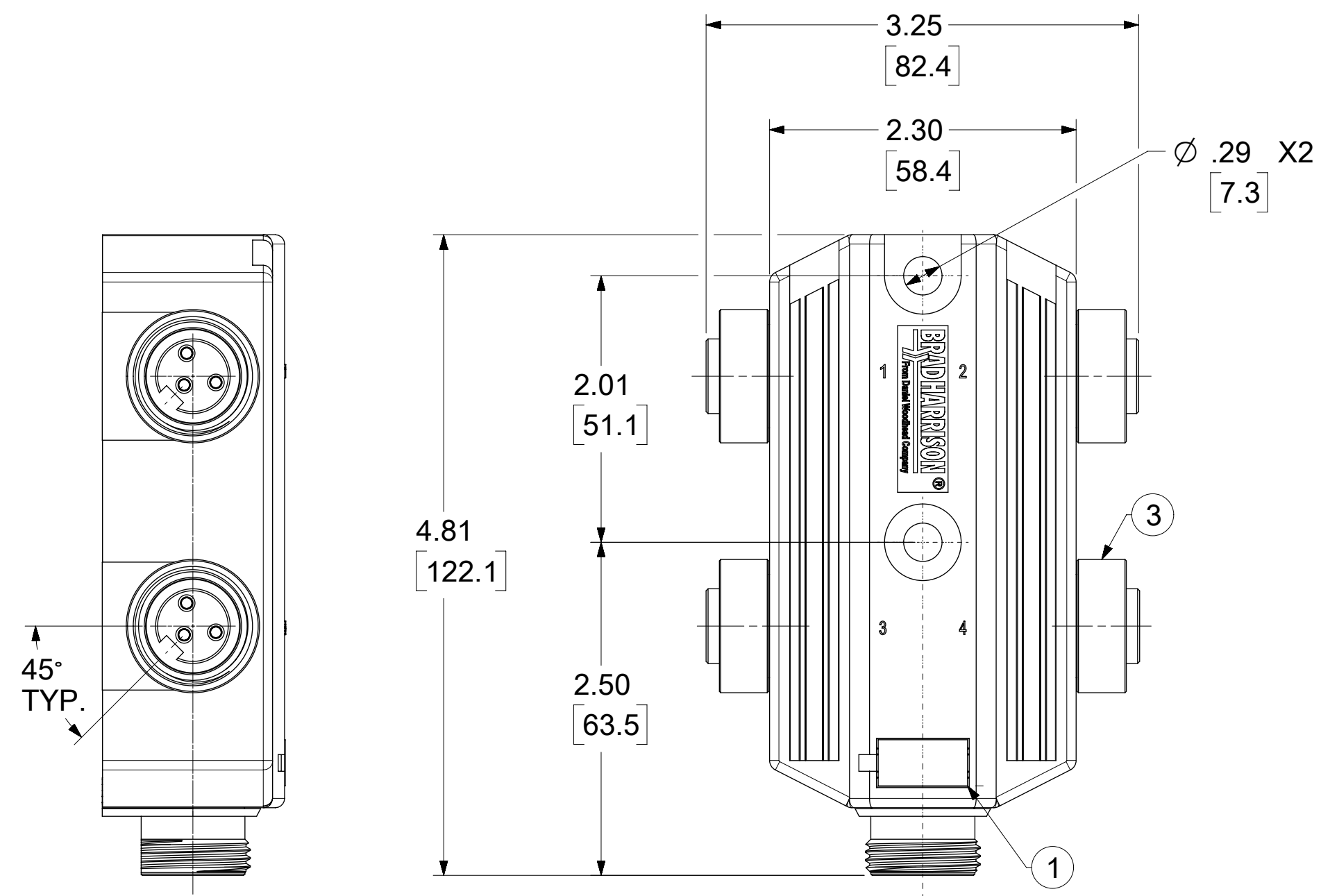


MATERIAL NO.	ENGINEERING NO.	HOUSING COLOR
1300600067	ACAUX4000	YELLOW
1300600086	ACAUX4000E	RED

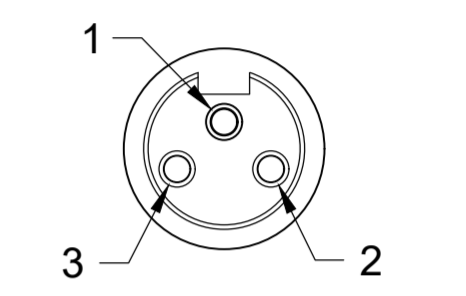
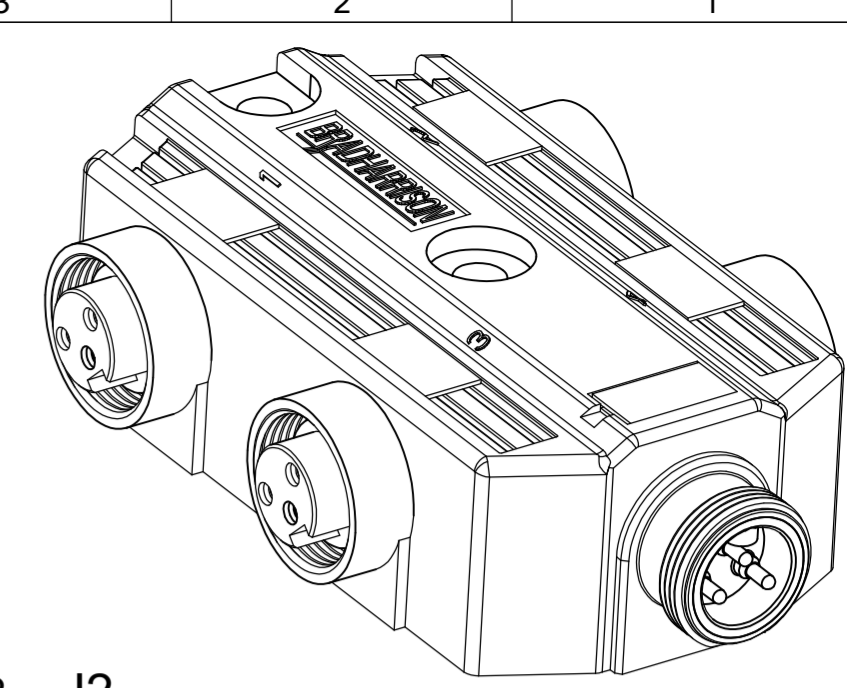
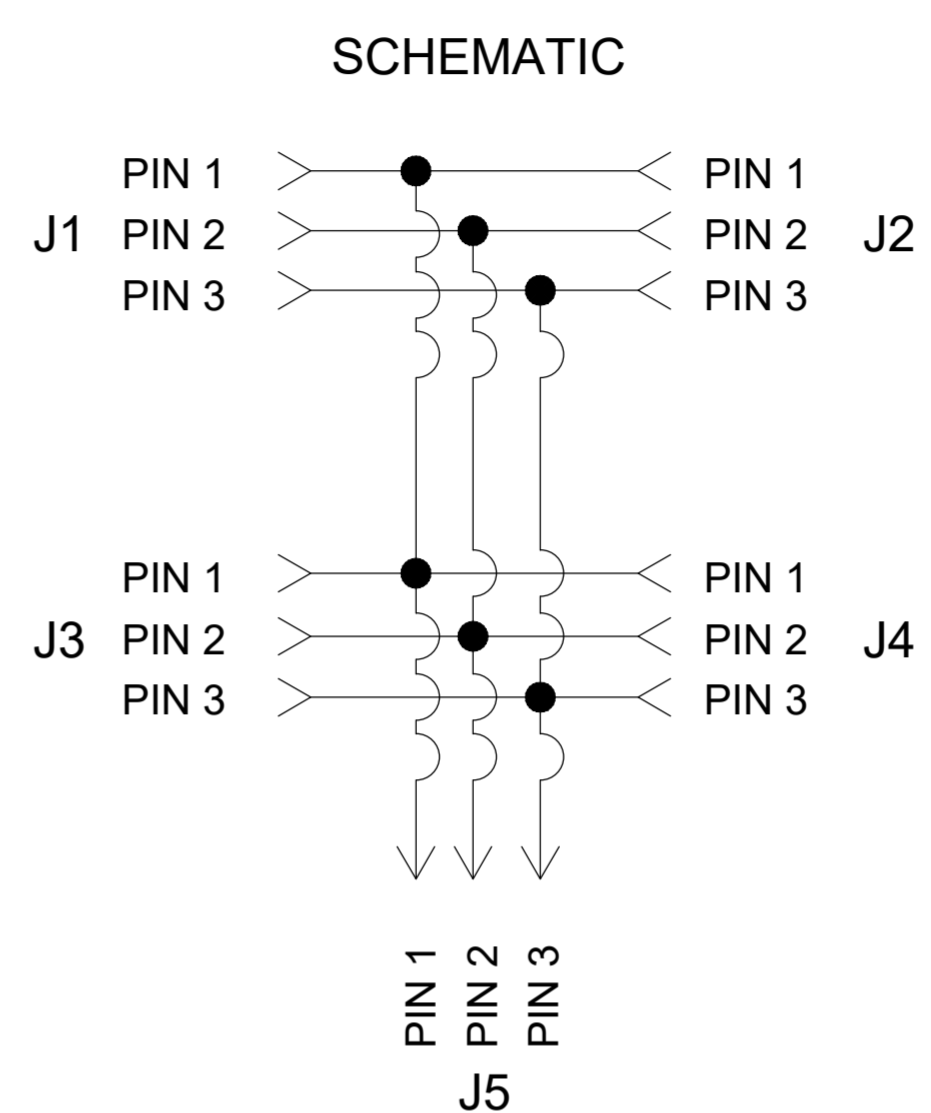
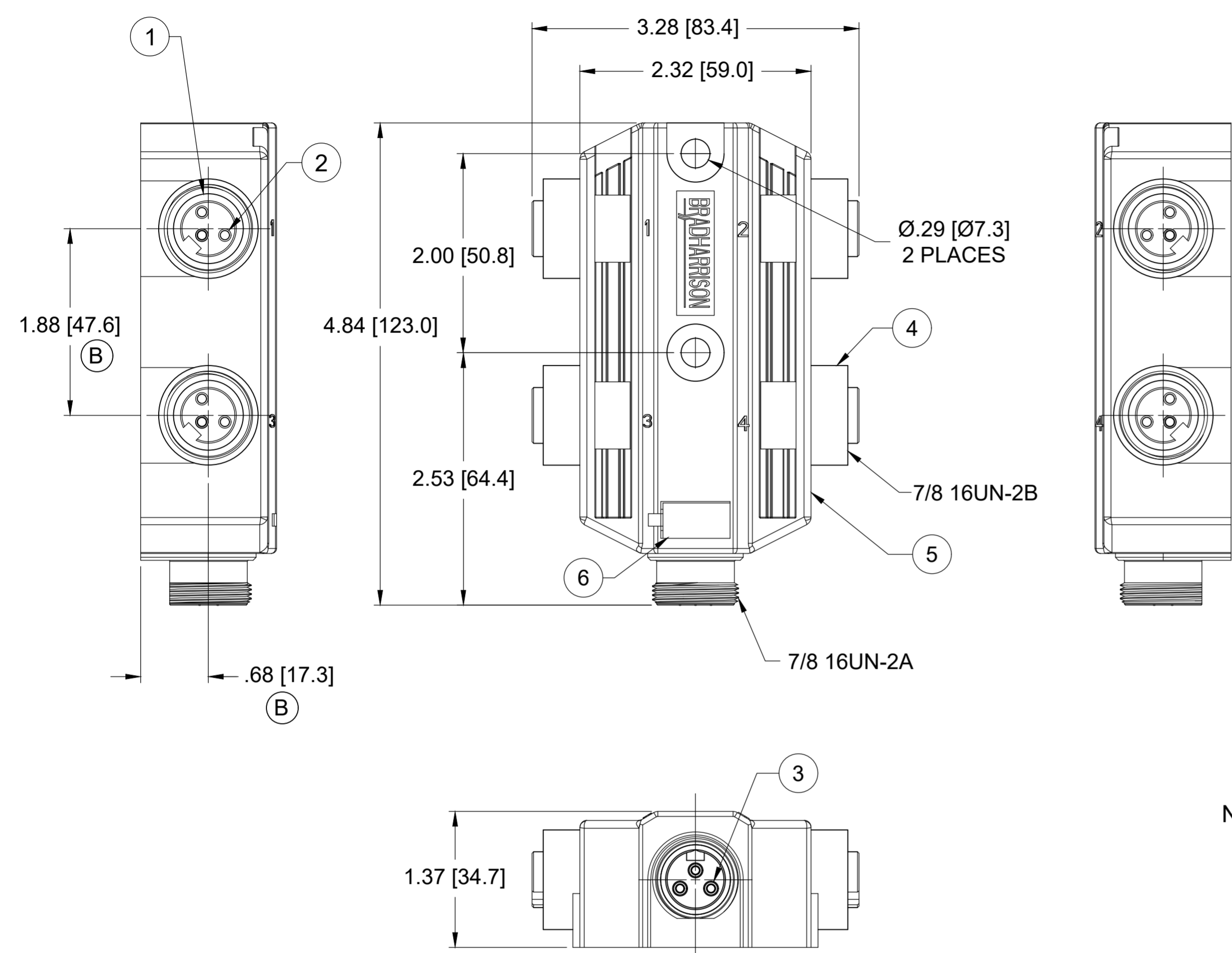


- NOTES:
1. MATERIAL: AS NOTED
 2. FINISH: AS NOTED
 3. ELECTRICAL:
VOLTAGE; 600V AC/DC
CURRENT: 13A
 4. TEMP RATING: 0°C TO +60°C
 5. PROTECTION: IP67 (WHEN MATED)
 6. COUPLING THREADS: 7/8"-16UN 2B
 7. ALL DIMS ARE FOR REFERENCE UNLESS NOTED OTHERWISE
 8. UL LISTED FILE: E152210

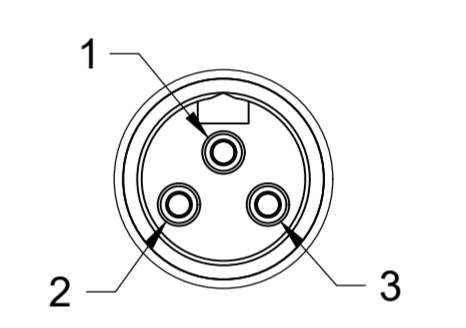
ITEM	DESCRIPTION	MATERIAL	FINISH
10	MPIS SCHEMATIC LABEL	POLYOLEFIN	WHITE
9	POTTING MATERIAL	EPOXY	AMBER
8	MALE INSERT	TPE	YELLOW
7	FEMALE INSERT	TPE	YELLOW
6	CONTACT SOCKET	COPPER ALLOY	GOLD PLATED
5	CONTACT PIN	COPPER ALLOY	GOLD PLATED
4	MALE RECEPTACLE SHELL	ZINC DIE CAST	BLACK E-COAT
3	FEMALE RECEPTACLE SHELL	ZINC DIE CAST	BLACK E-COAT
2	HOUSING	PBT	SEE CHART
1	LABEL	ABS	WHITE

FUNCTIONAL SYMBOLS FA = 0 FE = 0 FP = 0	THIS DRAWING CONTAINS INFORMATION THAT IS PROPRIETARY TO MOLEX ELECTRONIC TECHNOLOGIES, LLC AND SHOULD NOT BE USED WITHOUT WRITTEN PERMISSION	CURRENT REV DESC: REVISED WIRE DIAGRAM, ADD UL FILE E152210 TO NOTE 8			
	DIMENSION UNITS: INCH/MM	SCALE: 1:1	EC NO: 672530		
DIVISIONAL SYMBOLS	GENERAL TOLERANCES (UNLESS SPECIFIED)	DRWN: RSTONE 2021/08/02		PRODUCT CUSTOMER DRAWING	
	ANGULAR TOL ± °	CHK'D: MZIELINSKI 2021/08/04		DOCUMENT NUMBER: 1300600086	
	4 PLACES ±	APPR: BWOODMAN 2021/08/09		DOC TYPE: PSD	
	3 PLACES ±	INITIAL REVISION: DRWN: MZIELINSKI 2019/03/22		DOC PART: 000	
2 PLACES ±	APPR: BWOODMAN 2019/08/16		REVISION: C		
1 PLACE ±	DRAFT WHERE APPLICABLE MUST REMAIN WITHIN DIMENSIONS		MATERIAL NUMBER: SEE TABLE		SHEET NUMBER: 1 OF 1
0 PLACES ±	THIRD ANGLE PROJECTION		DRAWING: C-SIZE		SERIES: 130060

MATERIAL NUMBER	ENGINEERING NUMBER
1300600067	ACAUX4000



FEMALE FACE VIEW



MALE FACE VIEW

- NOTES:
- MATERIAL: AS NOTED
 - FINISH: AS NOTED
 - ELECTRICAL:
VOLTAGE RATING: 600 VAC/VDC
CURRENT: 13A
 - TEMP RATING: 0° TO +60°C
 - PROTECTION: IP67 (WHEN MATED)
 - COUPLING THREAD- AS NOTED
 - UL LISTED FILE: E152210
 - ALL DIMENSIONS ARE FOR REFERENCE UNLESS TOLERANCED OR NOTED OTHERWISE

ITEM	COMPONENT	MATERIAL	FINISH
1	INSERT	TPE	YELLOW
2	CONTACT SOCKET	COPPER ALLOY	GOLD OVER NICKEL
3	CONTACT PIN	COPPER ALLOY	GOLD OVER NICKEL
4	RECEPTACLE SHELL	ZINC DIE CAST	BLACK E-COATED
5	HOUSING	PBT	YELLOW
6	LABEL	ABS	WHITE
	POTTING MATERIAL	EPOXY	TRANSLUCENT

FUNCTIONAL SYMBOLS				THIS DRAWING CONTAINS INFORMATION THAT IS PROPRIETARY TO MOLEX ELECTRONIC TECHNOLOGIES, LLC AND SHOULD NOT BE USED WITHOUT WRITTEN PERMISSION			
DIMENSION UNITS		SCALE		CURRENT REV DESC: ITEM# 1 WAS PVC. UPDATED LATEST MOLEX TEMPLATE. ADDED DIMS.			
INCH/MM		NTS					
GENERAL TOLERANCES (UNLESS SPECIFIED)				EC NO: 645633			
		mm	INCH	DRWN: ABENJAMINLW 2020/09/07			
4 PLACES	±----	±----		CHK'D: RSTONE 2020/09/30			
3 PLACES	±----	±0.005		APPR: BWOODMAN 2020/10/23			
2 PLACES	±0.13	±0.01		INITIAL REVISION:			
1 PLACE	±0.25	±0.02		DRWN: KJOZWIK 2010/01/25			
0 PLACES	±----	±----		APPR: JFMURPHY 2010/01/29			
ANGULAR TOL ± 0.5°				THIRD ANGLE PROJECTION			
DRAFT WHERE APPLICABLE MUST REMAIN WITHIN DIMENSIONS				DRAWING		SERIES	
				C-SIZE		130060	
DOCUMENT NUMBER		DOC TYPE/DOC PART		REVISION			
SD-130060-012		PSD		001		B	
MATERIAL NUMBER		CUSTOMER		SHEET NUMBER			
SEE CHART		GENERAL MARKET		1 OF 1			