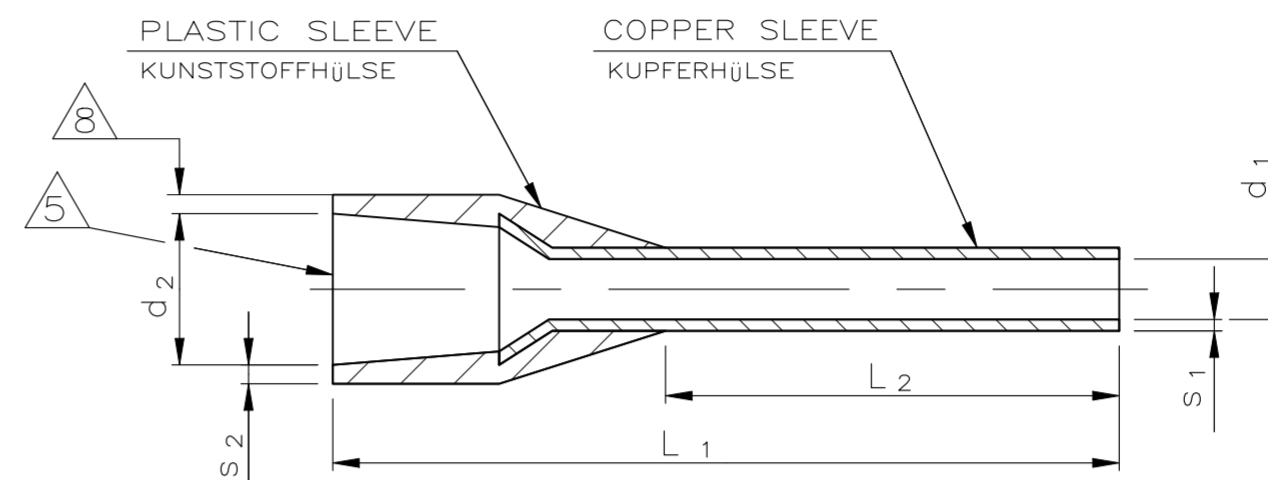


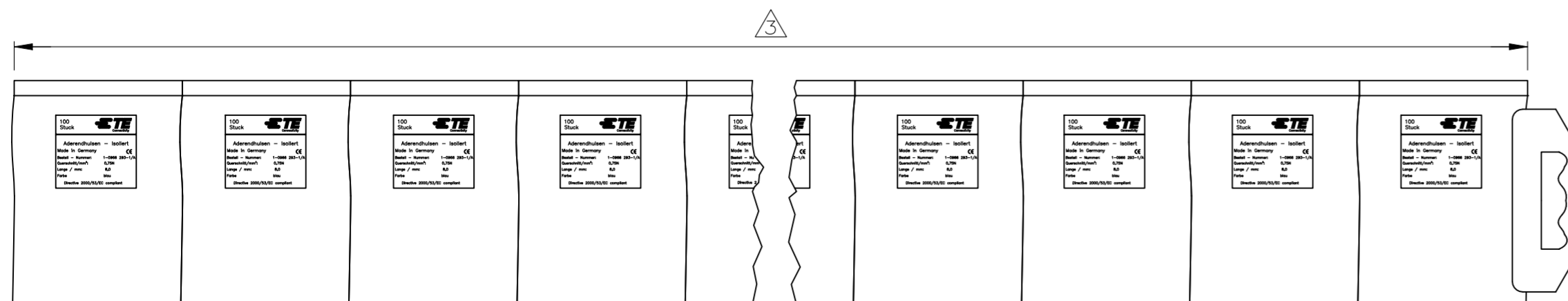
| P  | LTR | DESCRIPTION               | DATE      | DWN | APVD |
|----|-----|---------------------------|-----------|-----|------|
| A7 |     | REVISED PER ECR-23-166943 | 03MAR2023 | BB  | DSC  |

| PART NO.<br>BESTELL-NR. | SIZE            |           | RECOMMENDED STRIP LENGTH<br>ABISOLIER-LÄNGE<br>/mm | MINIMUM PULL-OUT STRENGTH<br>SLEEVE STRAND CONDUCTOR<br>/N | COLOUR<br>FARBE<br>△4 | d <sub>1</sub><br>/mm | d <sub>2</sub><br>/mm | l <sub>1</sub><br>/mm | l <sub>2</sub><br>/mm | s <sub>1</sub><br>/mm | s <sub>2</sub><br>/mm | COLOR TYPE<br>△4 | PACKAGE QTY<br>VERPACKUNGSEINHEIT<br>PIECES PER STRIP<br>STÜCK PRO STREIFEN |
|-------------------------|-----------------|-----------|--|--|-----------------------|-----------------------|-----------------------|-----------------------|-----------------------|-----------------------|-----------------------|------------------|---|
|                         | mm <sup>2</sup> | AWG<br>△1 |  |  |                       |                       |                       |                       |                       |                       |                       |                  |   |
| 966 293-5               | 0.34            | 22        | 8.5+0.2  | 15   | GREEN<br>GRÜN         | 0.8 +0.14             | 2.0 ±0.2              | 10 ±1.5               | 6 ±0.4                | 0.15 ±0.05            | 0.25 ±0.1             | 1                | 1000  |
| 966 293-6               | 0.34            | 22        | 10.5+0.2   | 15   | GREEN<br>GRÜN         | 0.8 +0.14             | 2.0 ±0.2              | 12 ±1.5               | 8 ±0.4                | 0.15 ±0.05            | 0.25 ±0.1             | 1                | 1000  |
| 966 293-9               | 0.50            | 20        | 12.5+0.2   | 20   | WHITE<br>WEISS        | 1.0 +0.14             | 2.6 ±0.2              | 16 ±1.5               | 10 ±0.4               | 0.15 ±0.05            | 0.25 ±0.1             | DIN/1            | 1000  |
| 1-966 293-0             | 0.75            | 18        | 8.5+0.2  | 30   | BLUE<br>BLAU          | 1.2 +0.14             | 2.8 ±0.2              | 12 ±1.5               | 6 ±0.4                | 0.15 ±0.05            | 0.25 ±0.1             | 1                | 1000  |
| 1-966 293-1             | 0.75            | 18        | 10.5+0.2   | 30   | BLUE<br>BLAU          | 1.2 +0.14             | 2.8 ±0.2              | 14 ±1.5               | 8 ±0.4                | 0.15 ±0.05            | 0.25 ±0.1             | 1                | 1000  |
| 1-966 293-3             | 0.75            | 18        | 14.5+0.2   | 30   | BLUE<br>BLAU          | 1.2 +0.14             | 2.8 ±0.2              | 18 ±1.5               | 12 ±0.6               | 0.15 ±0.05            | 0.25 ±0.1             | 1                | 1000  |
| 1-966 293-5             | 1.00            | 18        | 10.5+0.2   | 35   | RED<br>ROT            | 1.4 +0.14             | 3.0 ±0.2              | 14 ±1.5               | 8 ±0.4                | 0.15 ±0.05            | 0.25 ±0.1             | DIN/1            | 1000  |
| 1-966 293-7             | 1.00            | 18        | 14.5+0.2   | 35   | RED<br>ROT            | 1.4 +0.14             | 3.0 ±0.2              | 18 ±1.5               | 12 ±0.6               | 0.15 ±0.05            | 0.25 ±0.1             | DIN/1            | 1000  |
| 1-966 293-8             | 1.50            | 16        | 10.5+0.2   | 40   | BLACK<br>SCHWARZ      | 1.7 +0.25             | 3.5 ±0.2              | 14 ±1.5               | 8 ±0.4                | 0.15 ±0.05            | 0.25 ±0.1             | DIN/1            | 1000  |
| 2-966 293-0             | 1.50            | 16        | 20.5+0.2   | 40   | BLACK<br>SCHWARZ      | 1.7 +0.25             | 3.5 ±0.2              | 24 ±2.0               | 18 ±0.6               | 0.15 ±0.05            | 0.25 ±0.1             | DIN/1            | 1000  |
| 2-966 293-1             | 2.50            | 14        | 10.5+0.2   | 50   | GREY<br>GRAU          | 2.2 +0.25             | 4.2 ±0.2              | 14 ±1.5               | 8 ±0.4                | 0.15 ±0.05            | 0.25 ±0.1             | 1                | 1000  |
| 2-966 293-2             | 2.50            | 14        | 14.5+0.2   | 50   | GREY<br>GRAU          | 2.2 +0.25             | 4.2 ±0.2              | 18 ±1.5               | 12 ±0.6               | 0.15 ±0.05            | 0.25 ±0.1             | 1                | 1000  |
| 2-966 293-3             | 2.50            | 14        | 20.5+0.2   | 50   | GREY<br>GRAU          | 2.2 +0.25             | 4.2 ±0.2              | 24 ±2.0               | 18 ±0.6               | 0.15 ±0.05            | 0.25 ±0.1             | 1                | 1000  |
| 2-966 293-4             | 4.00            | 12        | 12.5+0.2   | 60   | ORANGE<br>ORANGE      | 2.8 +0.25             | 4.8 ±0.4              | 17 ±1.5               | 10 ±0.4               | 0.20 ±0.05            | 0.30 ±0.1             | 1                | 1000  |
| 2-966 293-5             | 4.00            | 12        | 14.5+0.2   | 60   | ORANGE<br>ORANGE      | 2.8 +0.25             | 4.8 ±0.4              | 20 ±1.5               | 12 ±0.6               | 0.20 ±0.05            | 0.30 ±0.1             | 1                | 1000  |
| 2-966 293-6             | 4.00            | 12        | 20.5+0.2   | 60   | ORANGE<br>ORANGE      | 2.8 +0.25             | 4.8 ±0.4              | 26 ±2.0               | 18 ±0.6               | 0.20 ±0.05            | 0.30 ±0.1             | 1                | 1000  |



- △1 THE AWG CROSS-SECTION CAN DIFFER SLIGHTLY FROM THE DIN-STANDARD CROSS-SECTION VALUES.
- 2 NOTE DELETED
- △3 PARTS PACKED IN PLASTIC BAG. HANGER STRIPS OF 10 BAGS, 100 PIECES EACH
- △4 COLOUR TYPE 1: COLOUR PER FRENCH STANDARD  
COLOUR TYPE DIN: COLOUR PER DIN 46228 PART 4
- △5 MAX.INSULATION DIA. OF WIRE: d<sub>2</sub> MIN. -0.1
- 6. NOTE DELETED
- 7. NOTE DELETED.
- △8 0.6MM ALLOWABLE MOLDING FLASH PRESENT IN THIS ZONE.
- △9 MATERIAL:  
METAL SLEEVE - COPPER  
PLASTIC SLEEVE - POLYPROPYLENE
- △10 FINISH:  
METAL SLEEVE - TIN PLATE 3µm MIN THICKNESS  
PLASTIC SLEEVE COLOR - SEE TABLE
- 11. MAXIMUM RECOMMENDED TEMPERATURE 105°C
- 12. PARTS PER DIN 46228 PART 4 UNLESS OTHERWISE NOTED
- △13 DIMENSIONS DO NOT CONFORM TO DIN 46228 PART 4

PACKAGING AND LABELING



SHOWN IS HANGER STRIP PACKING WITH STANDARD LABEL INFORMATION

|  |  |                                  |                                  |                    |
|--|--|----------------------------------|----------------------------------|--------------------|
| THIS DRAWING IS A CONTROLLED DOCUMENT.   |  | DWN<br>R.SCHMIDT<br>28-FEB-94    |                                  |                    |
| DIMENSIONS:<br>mm  |  | CHK<br>W.BÖCK<br>15-JUN-94       |                                  |                    |
| TOLERANCES UNLESS OTHERWISE SPECIFIED:<br>0 PLC ± -<br>1 PLC ± -<br>2 PLC ± -<br>3 PLC ± -<br>4 PLC ± -<br>ANGLES / WINKEL ± - |  | APVD<br>G.FELDMEIER<br>29-NOV-00 | NAME<br>G.FELDMEIER              |                    |
| MATERIAL<br>△9   |  | FINISH<br>△10                    | PRODUCT SPEC<br>APPLICATION SPEC |                    |
| CUSTOMER DRAWING   |  | WEIGHT<br>-                      | SIZE<br>A2                       | CAGE CODE<br>00779 |
| SCALE<br>-   |  | DRAWING NO<br>C=966293           |                                  | RESTRICTED TO<br>- |
| SHEET<br>1 OF 1  |  | REV<br>A7                        |                                  |                    |