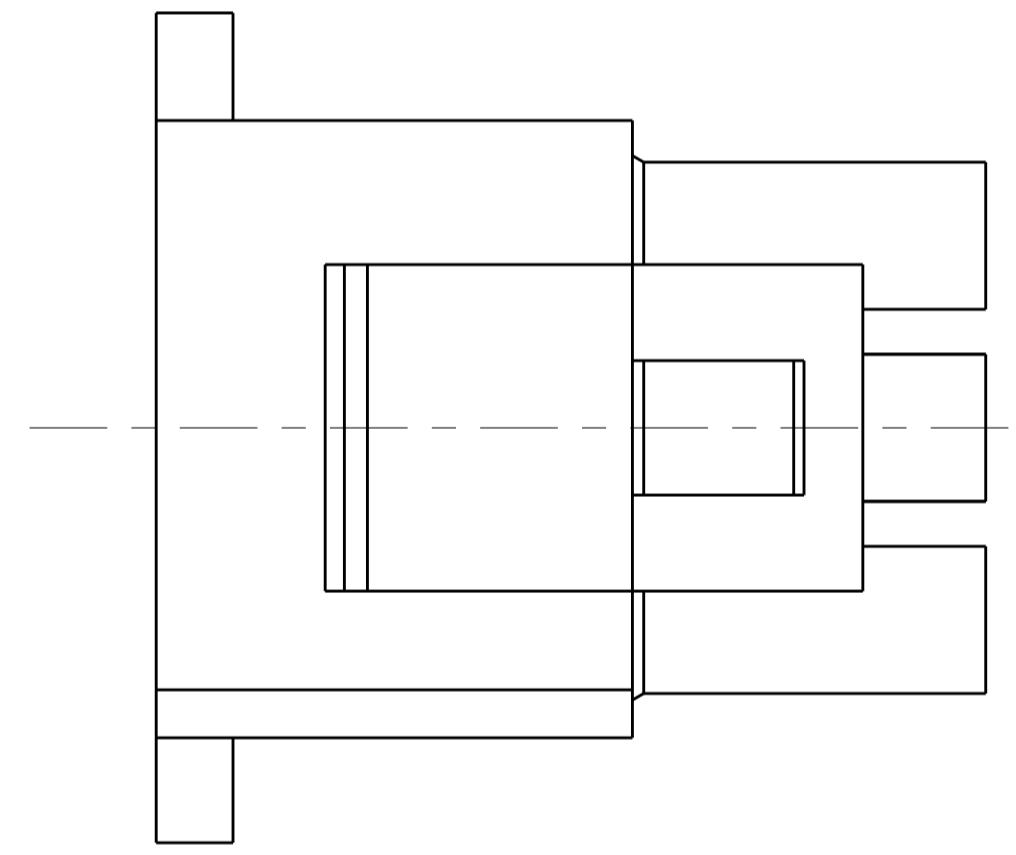
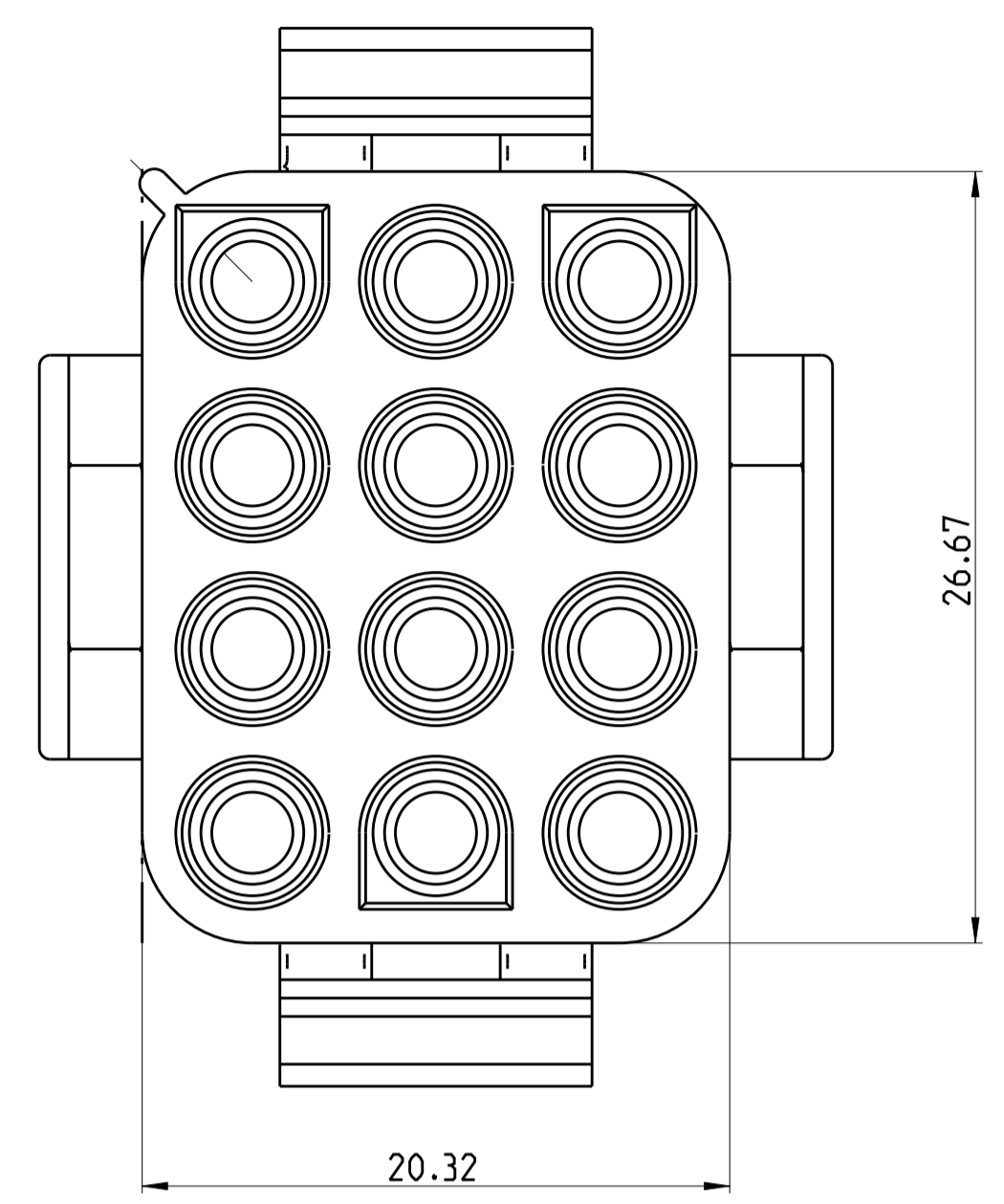
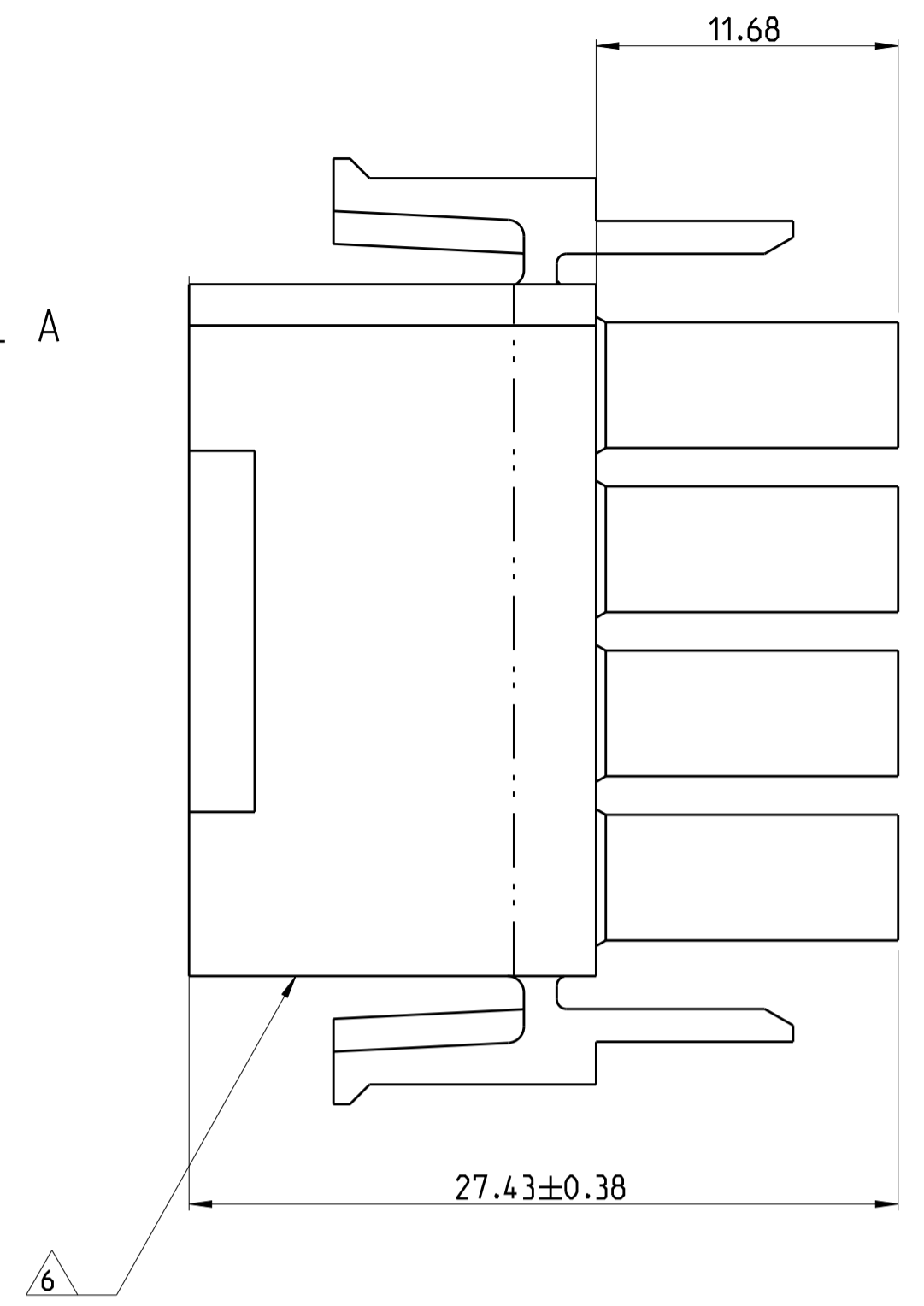
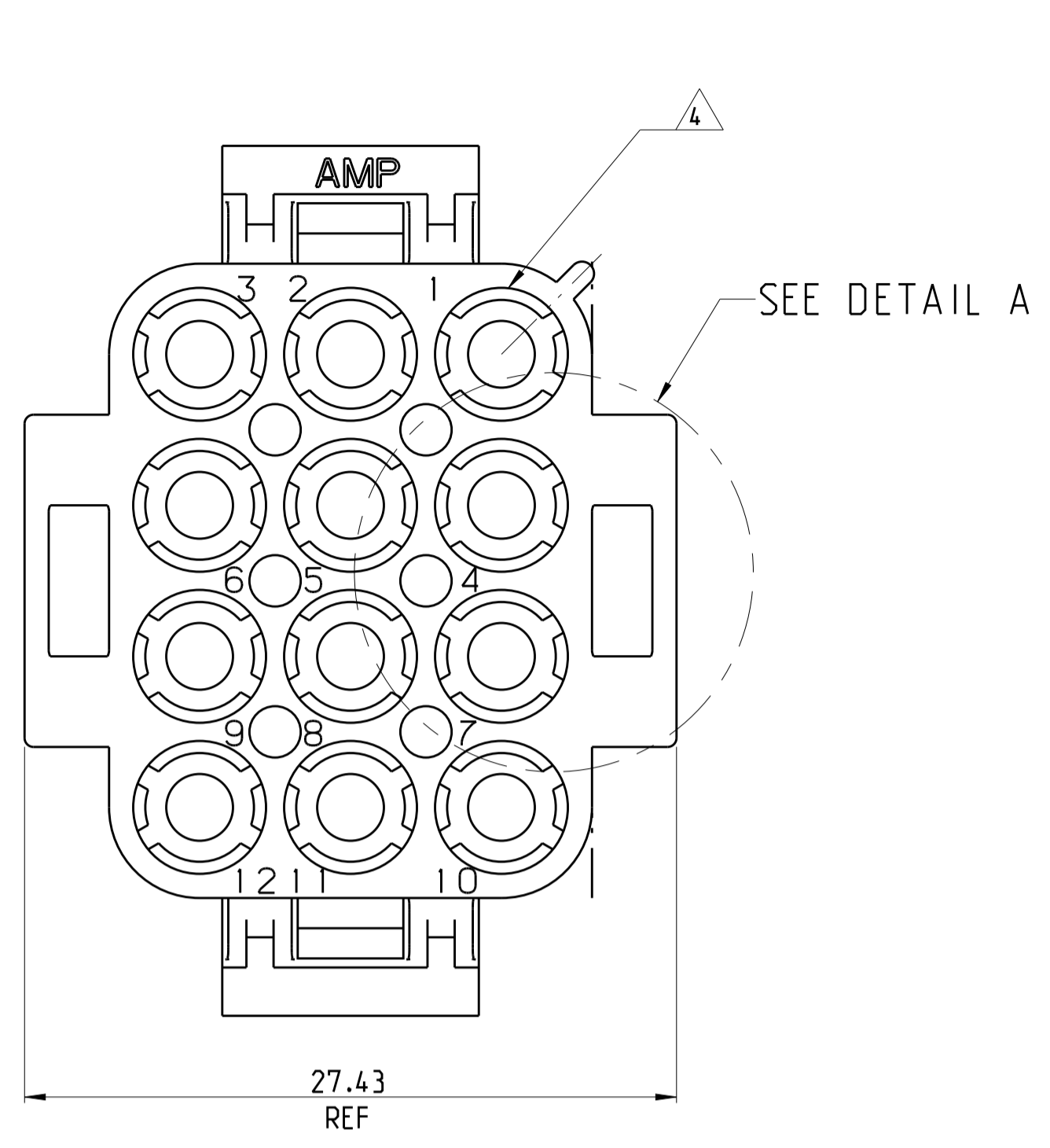
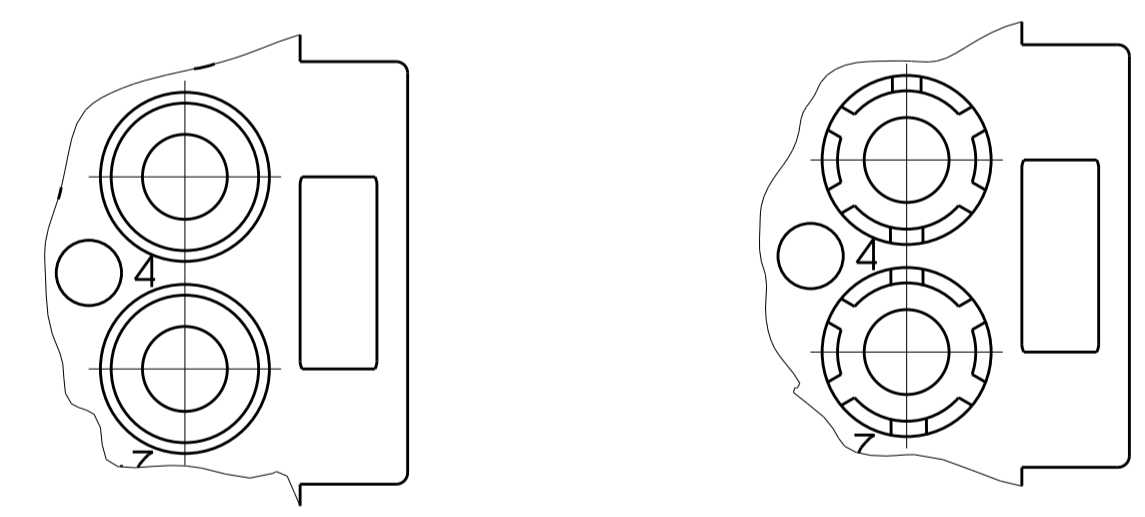


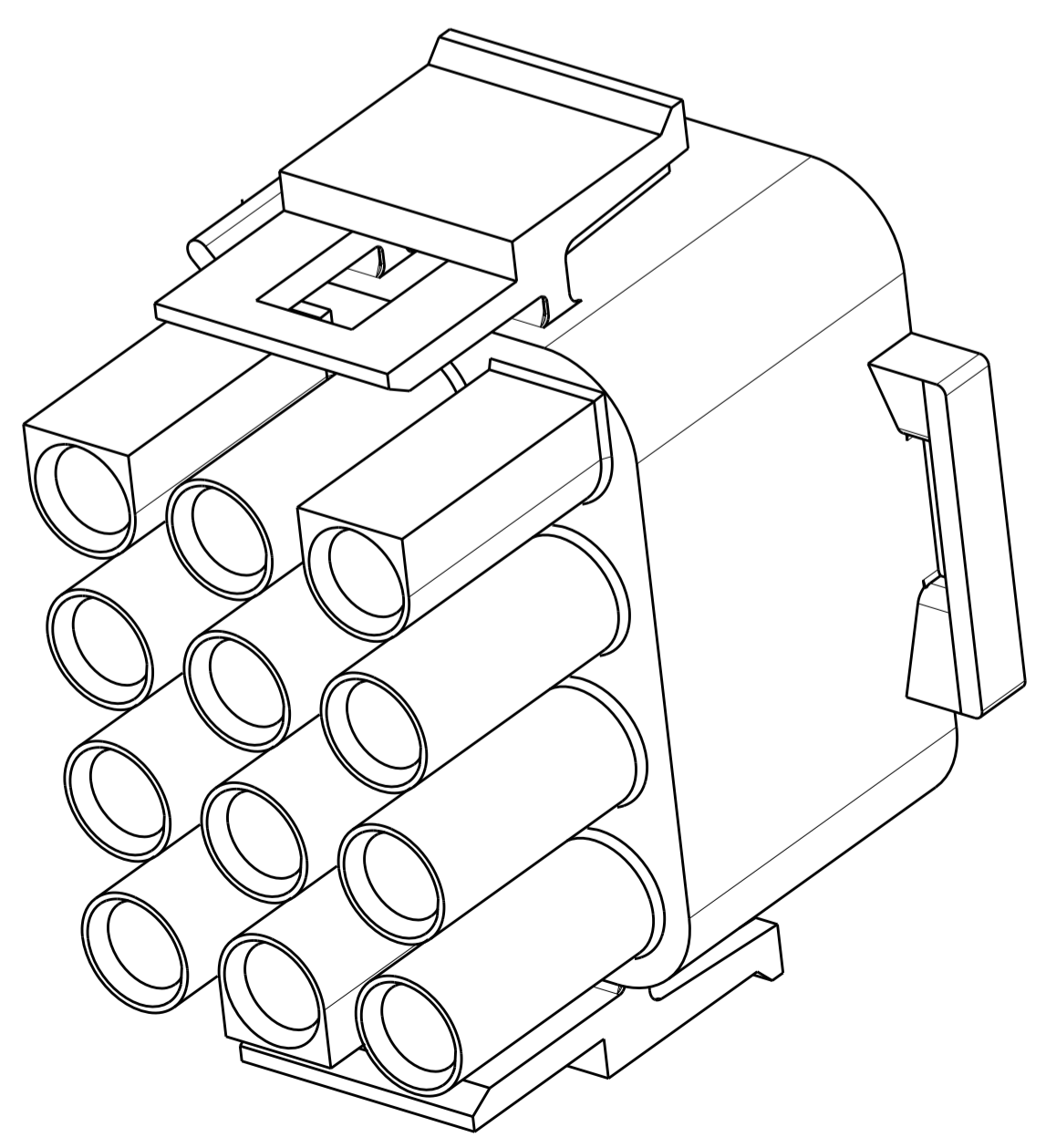
REVISIONS				
P	LTR	DESCRIPTION	DATE	DWN APVD
A4		REVISED PER ECR-17-014951	16OCT2017	BDA KR



- MATES WITH APPROPRIATE UNIVERSAL MATE-N-LOK™ CAP OR HEADER.
- SMALL NICKS ARE PERMITTED ON THE CIRCUIT TOWERS WHICH COULD INCREASE THE INITIAL HOUSING MATING FORCE BY UP TO 4.4 NEWTONS (1.0 LBS). NO INDIVIDUAL NICKED TOWER SHALL INCREASE THIS FORCE BY OVER 2.2 NEWTONS (0.5 LBS).
- DIMENSIONS SHOWN REPRESENT PRODUCT IN DRY, AS MOLDED, CONDITION. ADDITIONAL 2% GROWTH DUE TO SUBSEQUENT MOISTURE ABSORPTION MAY OCCUR AND SHOULD BE ACCOUNTED FOR.
- FOUR RIBS EQUALLY SPACED, NO SPECIFIC ORIENTATION, NO RIBS OR SIX RIBS EQUALLY SPACED, NO SPECIFIC ORIENTATION. OPTIONAL.
- NOT MANUFACTURED IN US.
- UNDERWRITERS RECOGNIZED COMPONENT LOGO AND CSA CERTIFICATION LOGO TO BE LOCATED ONCE ON EACH SIDE OF HOUSING.
- MATERIAL CORRESPONDING TO THE REQUIREMENTS OF IEC 60335 (INCL.GLOW WIRE TEST 750°C. WITHOUT FLAME)
- PRELIMINARY PART NOT RELEASED FOR PRODUCTION.



DETAIL A  
OPTIONAL CONSTRUCTION



3-DIMENSIONAL MODEL  
NOT TO SCALE.

7	NATURAL	PA66 UL94-V0 (GW T 750 °C)	1-1863005-2
8	NATURAL	PA6 UL94-V0	1-1863005-1
7	NATURAL	PA6 UL94-V2	1863005-1
REMARKS	COLOUR	MATERIAL	PART NUMBER

DIMENSIONS:		TOLERANCES UNLESS OTHERWISE SPECIFIED:		MATERIAL		FINISH		APPROVED		DRAWING NO		SHEET		REV	
mm	0 PLC	±													
	1 PLC	±													
	2 PLC	±	0.13												
	3 PLC	±													
	4 PLC	±													
	ANGLES	±	30°												
MATERIAL		FINISH		WEIGHT		SCALE		SHEET		OF		REV			
-		-		-		4:1		1		1		A4			