

8 7 6 5 4 3 2 1

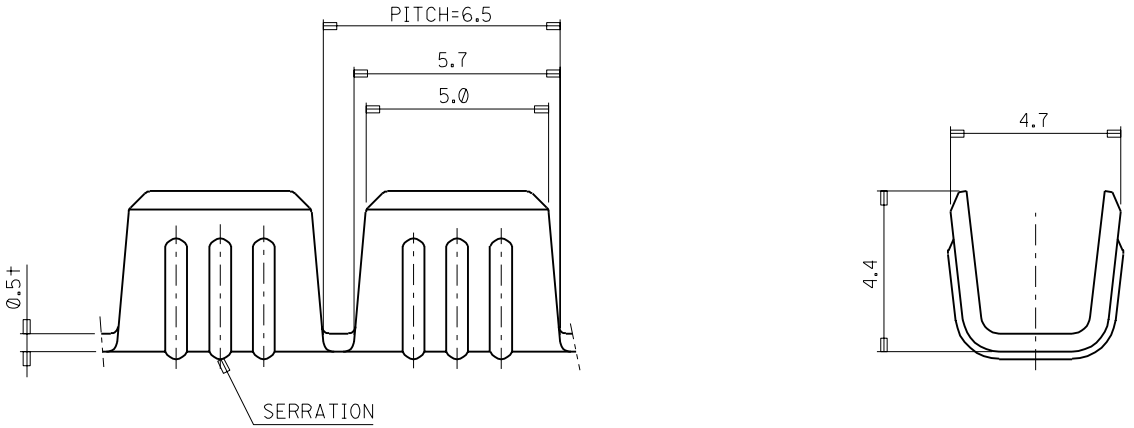
ENG. NO
SD 35760-5000

EDP NO.

SIMILAR ITEM

PROJECT NO.

DO NOT SCALE DRAWING
DIMENSION IN METRIC



		ASS'Y PART		QTY/REEL OR PACK	SURFACE AREA	MATERIAL	BRASS, 0.5t	WIRE RANGE	GENERAL TOLERANCES	molex MOLEX-KOREA CO.,LTD.	
		DESCRIPTION	ENG.NO.	///	/// MM ²	DIMENSION CLASSIFICATION		AWG:	DIM. : *0.3	REVISE ONLY ON CAD SYSTEM	
		///	///	DIE NO. ///	LAYOUT NO. ///	<input checked="" type="checkbox"/> : CRITICAL <input checked="" type="checkbox"/> : MAJOR <input type="checkbox"/> : MINOR () : REFERENCE		MM ² :	ANGLE :	TITLE: AK 3315 SPLICE	
		///	///	WIRE CRIMP WIDTH ///	INS. CRIMP WIDTH ///	DRAWN BY	CHK'D BY	INSULATION RANGE	ENG.NO. SD 35760-5000		1 of 1
A	CAD REDRAWING	94-003	94.5.19	DIE FEED	APPL FEED	W.B.D.W. ///	IBDW. ///	APP'D BY	SCALE	8:1	REV A

8 7 6 5 4 3 2 1