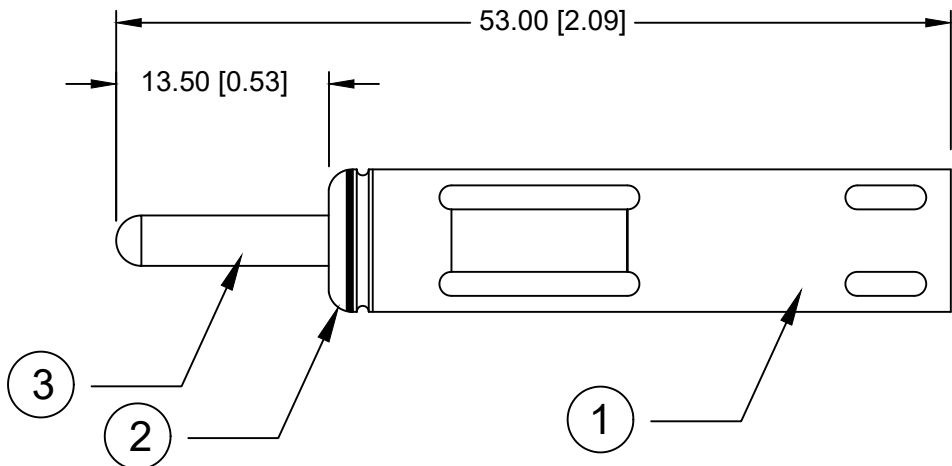
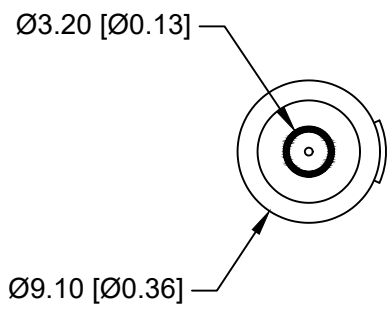



Date	SYM	REVISION RECORD	AUTH	DR.	CK.



MATERIAL

NO.	PART NAME	MATERIAL
1	BODY	BRASS, NICKEL PLATED
2	INSULATION	BAKELITE
3	TERMINAL	BRASS NICKEL PLATED

Tolerance (Except as noted)
decimal ±.5 (.020)
Fractional ± .8 (.030)
Angular ± 3°

 Memory Protection Devices, Inc 200 Broad Hollow Road, Farmingdale, New York 11735	Title	
	CAR RADIO ANTENNA PLUG	
Date	Drawing Number	
10/19/18	ZA1310	

Scale
 Drawn By B.S.
 Approved By T.B.