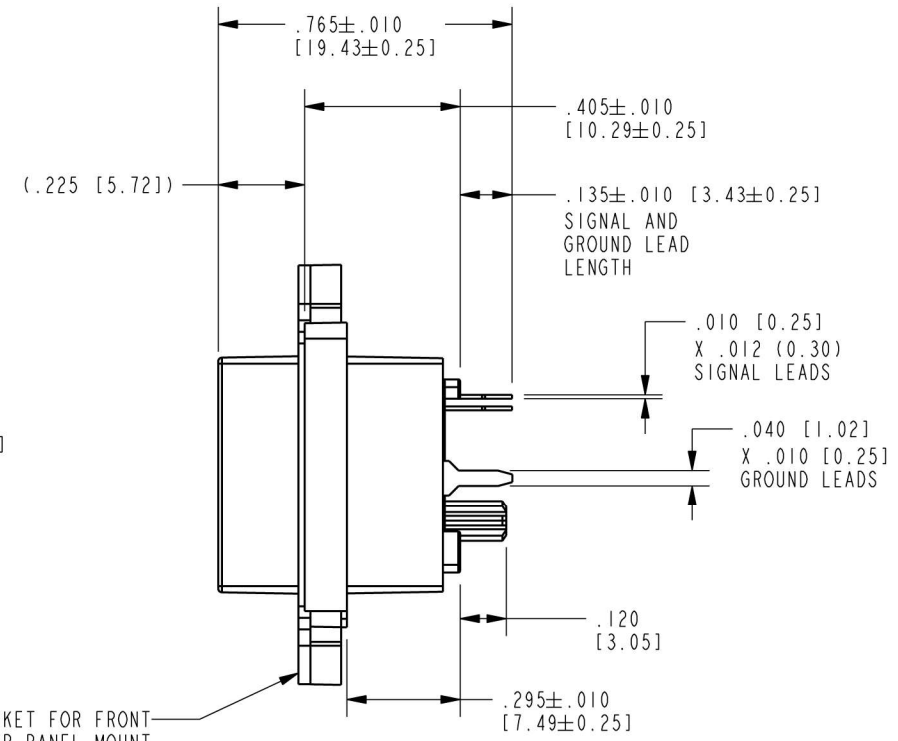
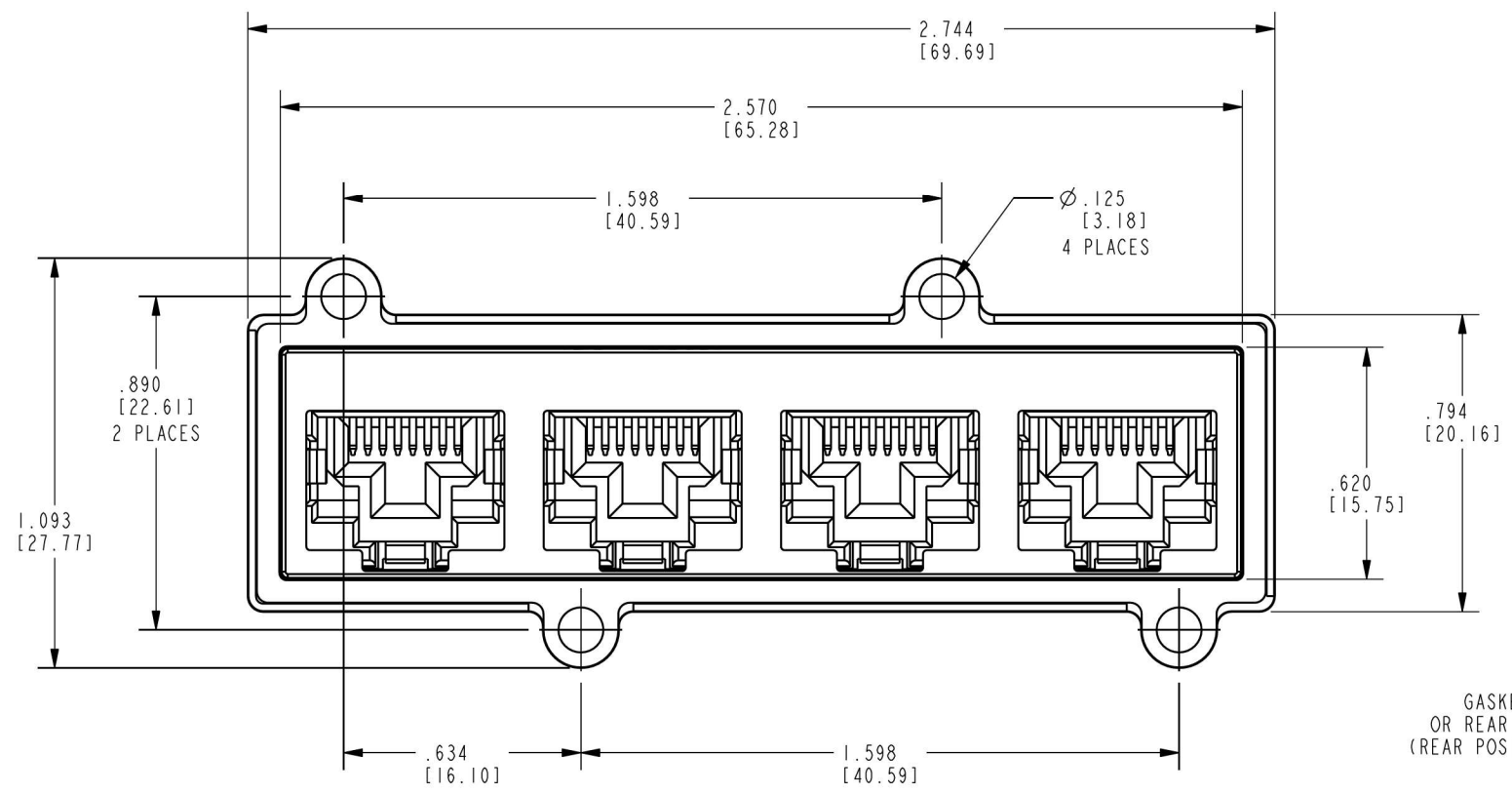
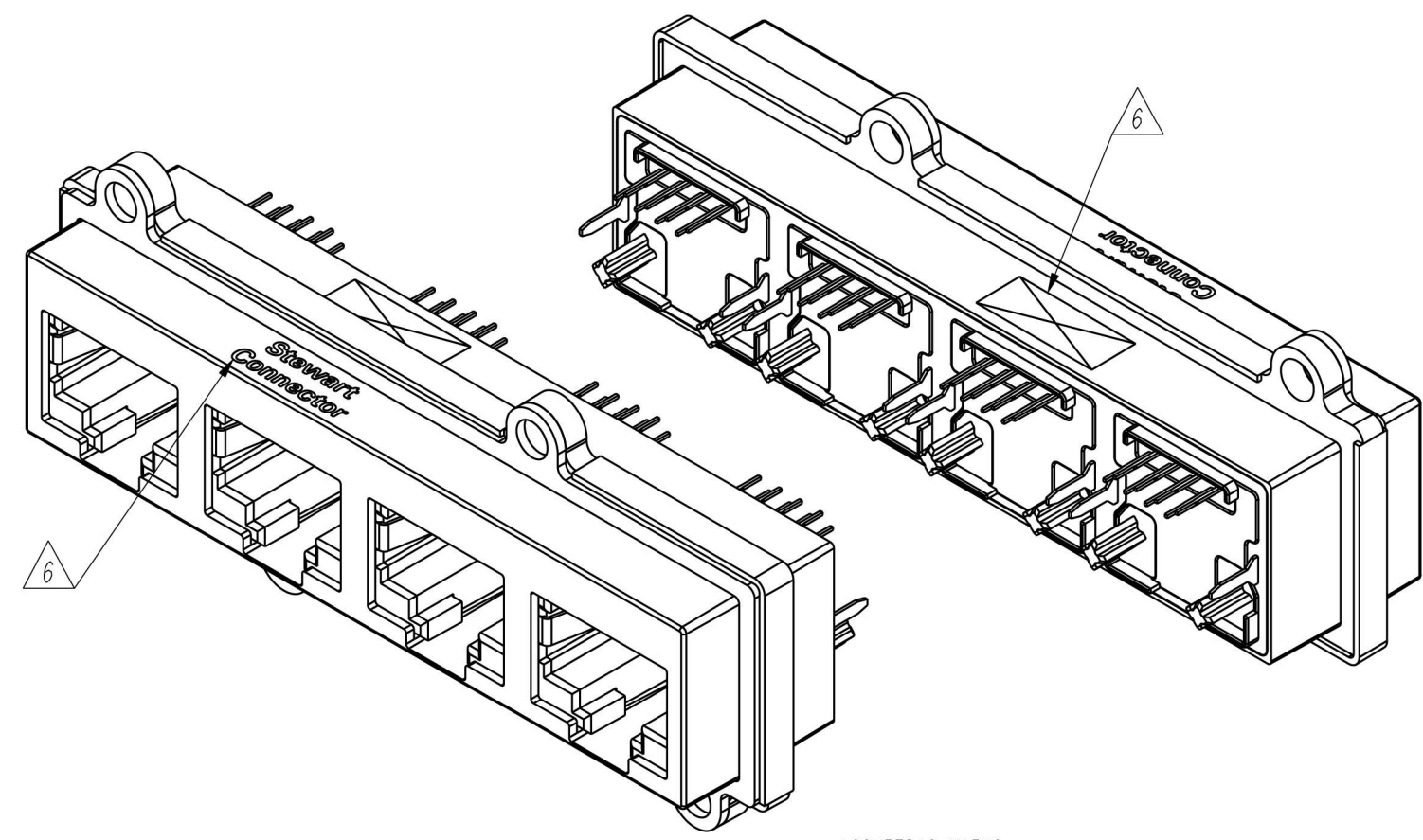


DATE	REV.	ECN	APP'D BY
3-6-17	A0	-	ADB
4-21-17	A1	10984	ADB
4-27-17	A2	10989	ADB
12-22-17	A3	11180	ADB



- NOTES:
- CONNECTOR MATERIALS:  
 HOUSING/INSERT: THERMOPLASTIC UL94 V-0  
 SHIELD: ZINC DIE-CAST ALLOY  
 SHIELD PLATING: NICKEL OVER COPPER  
 CONTACTS: COPPER ALLOY  
 CONTACT PLATING: SEE TABLE BELOW  
 GASKET: SILICONE RUBBER  
 SILICONE SEALING COMPOUND IN REAR OF JACK
  - PRODUCT INTENDED FOR CATEGORY 6 APPLICATIONS.
  - DIMENSIONS AND TOLERANCES COMPLY WITH TIA-1096 STANDARD.
  - REFERENCE PRODUCT SPECIFICATION PR042-01.
  - ENVIRONMENTAL PERFORMANCE PER IEC 60529 CODE IP67, FOR CONNECTOR AND PANEL INTERFACE. REFER TO INSTRUCTION SHEET MN600001 FOR INSTALLATION GUIDELINES.
- △ PRODUCT MARKED WITH COMPANY LOGO, PART NUMBER, AND MANUFACTURING DATE / LOCATION IN AREAS AS SHOWN.



50 MICRO-INCHES [1.27um]	SS-60400-010
CONTACT PLATING IN MATING AREA	PART NUMBER

THIRD ANGLE PROJECTION

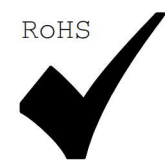
DO NOT SCALE DRAWING  
 DRAWING IS SUBJECT TO CHANGE WITHOUT NOTICE  
 DIMENSIONS: INCHES [METRIC]  
 UNLESS OTHERWISE SPECIFIED TOLERANCES ARE ±.005 [0.13] ANGLES ARE ±1°  
 SHEET NO. 1 OF 3

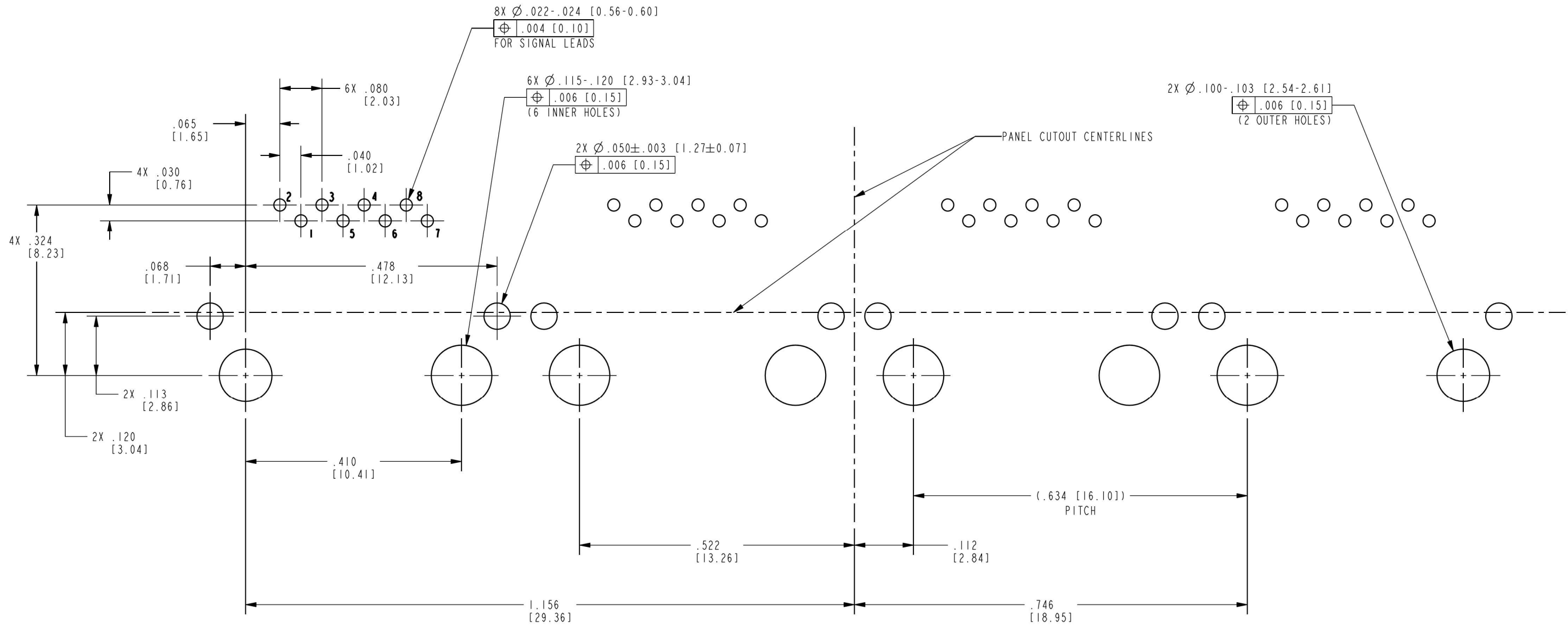
**stewart**  
CONNECTOR  
a bel group

11118 Susquehanna Trail South  
 Glen Rock, PA 17327-9199  
 (717) 235-7512  
<http://www.stewartconnector.com>

TITLE: VERTICAL CAT 6 SEALJACK, 4 PORT, WITH THROUGH HOLE MOUNTING

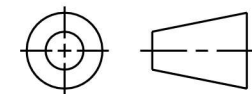
DRN BY: ADB	DATE: 10-22-15
APPD BY: DHG	DATE: 10-23-15
DWG. NO. CT600160	REV. A3





RECOMMENDED P.C.B. LAYOUT (COMPONENT SIDE OF BOARD)  
 SCALE 5.000  
 ALL CENTERLINE DIMENSIONS ARE BASIC (PATTERN REPEATS 4 TIMES AS SHOWN)

THIRD ANGLE PROJECTION



11118 Susquehanna Trail South  
 Glen Rock, PA 17327-9199  
 (717) 235-7512

<http://www.stewartconnector.com>

DO NOT SCALE DRAWING  
 DRAWING IS SUBJECT TO  
 CHANGE WITHOUT NOTICE

TITLE: VERTICAL CAT 6 SEALJACK, 4 PORT,  
 WITH THROUGH HOLE MOUNTING

DIMENSIONS: INCHES [METRIC]  
 UNLESS OTHERWISE SPECIFIED  
 TOLERANCES ARE ±.005 [0.13]  
 ANGLES ARE ±1°

THIS DRAWING AND THE SUBJECT MATTER SHOWN THEREON  
 ARE CONFIDENTIAL AND THE PROPRIETARY PROPERTY OF  
 STEWART CONNECTOR AND SHALL NOT BE REPRODUCED,  
 COPIED, OR USED IN ANY MANNER WITHOUT PRIOR WRITTEN  
 CONSENT OF STEWART CONNECTOR. ONE OR MORE U.S. PATENTS  
 MAY APPLY TO THIS PRODUCT. FOR DETAILS, PLEASE  
 VISIT: [HTTP://BELFUSE.COM/STEWART/STEWART\\_PATENTS/](http://BELFUSE.COM/STEWART/STEWART_PATENTS/)

DRN BY: ADB DATE 10-22-15

APPD BY: DHG DATE 10-23-15

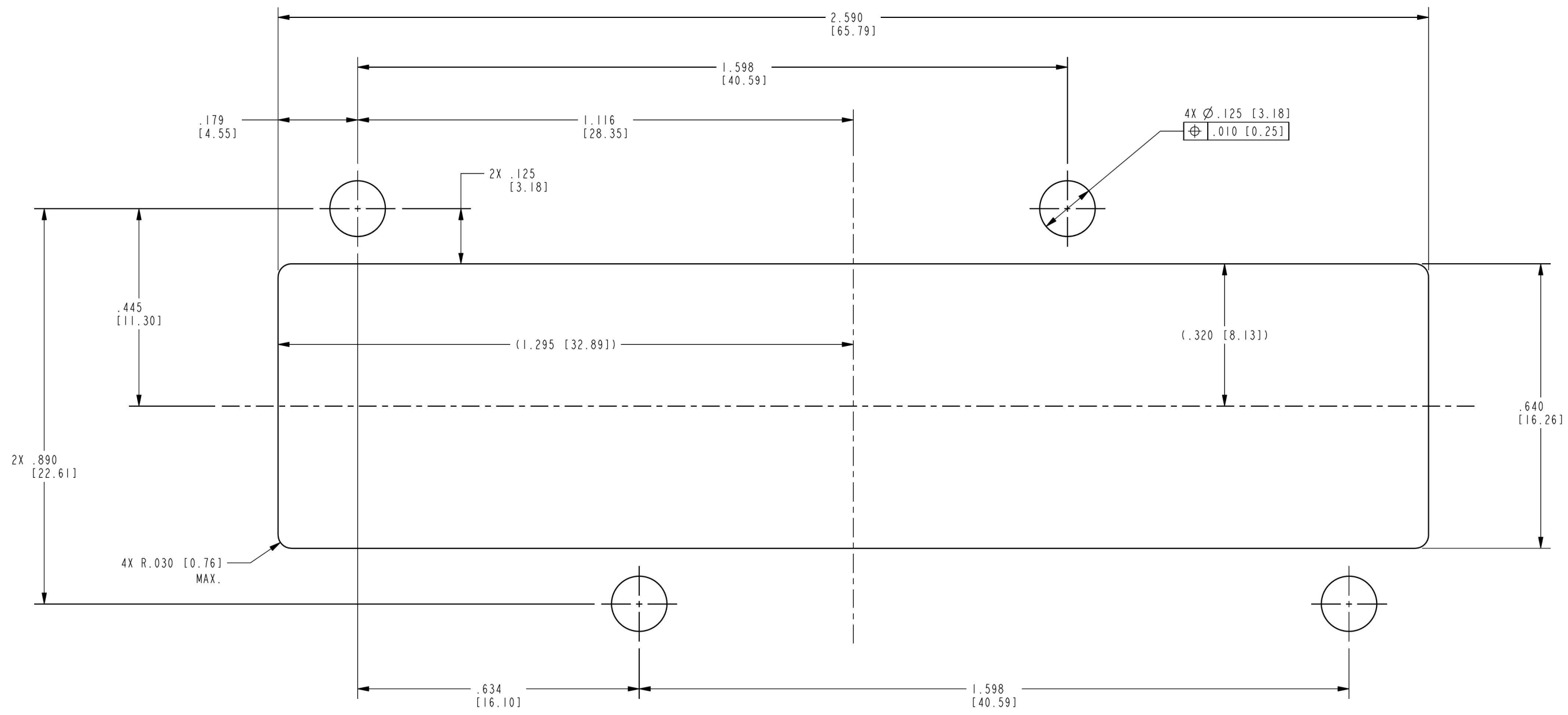
DWG. NO. CT600160 REV. A3



SHEET NO. 2 OF 3

B

B



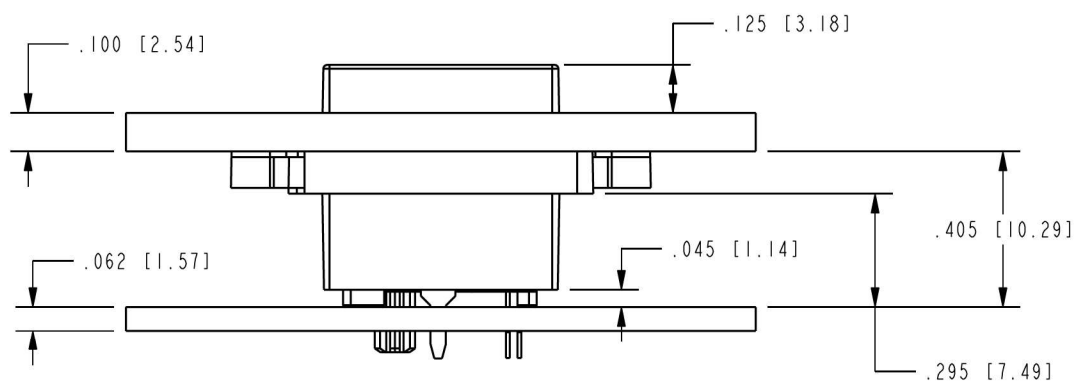
RECOMMENDED PANEL LAYOUT (FRONT OF PANEL)  
 SCALE 4.000  
 ALL CENTERLINE DIMENSIONS ARE BASIC

NOTES:

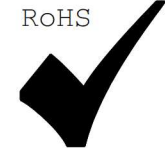
- 1. IF MOUNTING MULTIPLE CONNECTORS SIDE-BY-SIDE, THE SUGGESTED SPACING (PITCH) IS AT LEAST 2.8 INCHES [71 mm].

A

A



SIDE VIEW - SHOWN WITH .100" PANEL AND .062" BOARD FOR REFERENCE ONLY  
 SCALE 2.000  
 (SHOWN WITH GASKET IN FULLY COMPRESSED STATE)



THIRD ANGLE PROJECTION	
DO NOT SCALE DRAWING DRAWING IS SUBJECT TO CHANGE WITHOUT NOTICE	
DIMENSIONS: INCHES [METRIC]	
UNLESS OTHERWISE SPECIFIED TOLERANCES ARE ±.005 [0.13] ANGLES ARE ±1°	
SHEET NO. 3 OF 3	

	11118 Susquehanna Trail South Glen Rock, PA 17327-9199 (717) 235-7512 <a href="http://www.stewartconnector.com">http://www.stewartconnector.com</a>	
	TITLE: VERTICAL CAT 6 SEALJACK, 4 PORT, WITH THROUGH HOLE MOUNTING	
DRN BY: ADB	DATE: 10-22-15	
APPD BY: DHG	DATE: 10-23-15	
DWG. NO. CT600160	REV. A3	