

B0668-SCH-01 Rev. B2

RD5-4320, Pegasus STDP4320 RD5 Board, 1 x DP in and 2 x HDMI out

PCB# 400-652

Revision History

SCHEMATIC	SHEET
01. Contents, Revision History	1
02. Block Diagram	2
03. Power Supply	3
04. DPRx Input	4
05. STDP4320 System Section	5
06. STDP4320 Power Section	6
07. STDP4320 Accessories	7
08. HDMI0 Output + SPDIF0 Output	8
09. HDMI1 Output + SPDIF1 Output	9
10. SPDIF Outputs	10

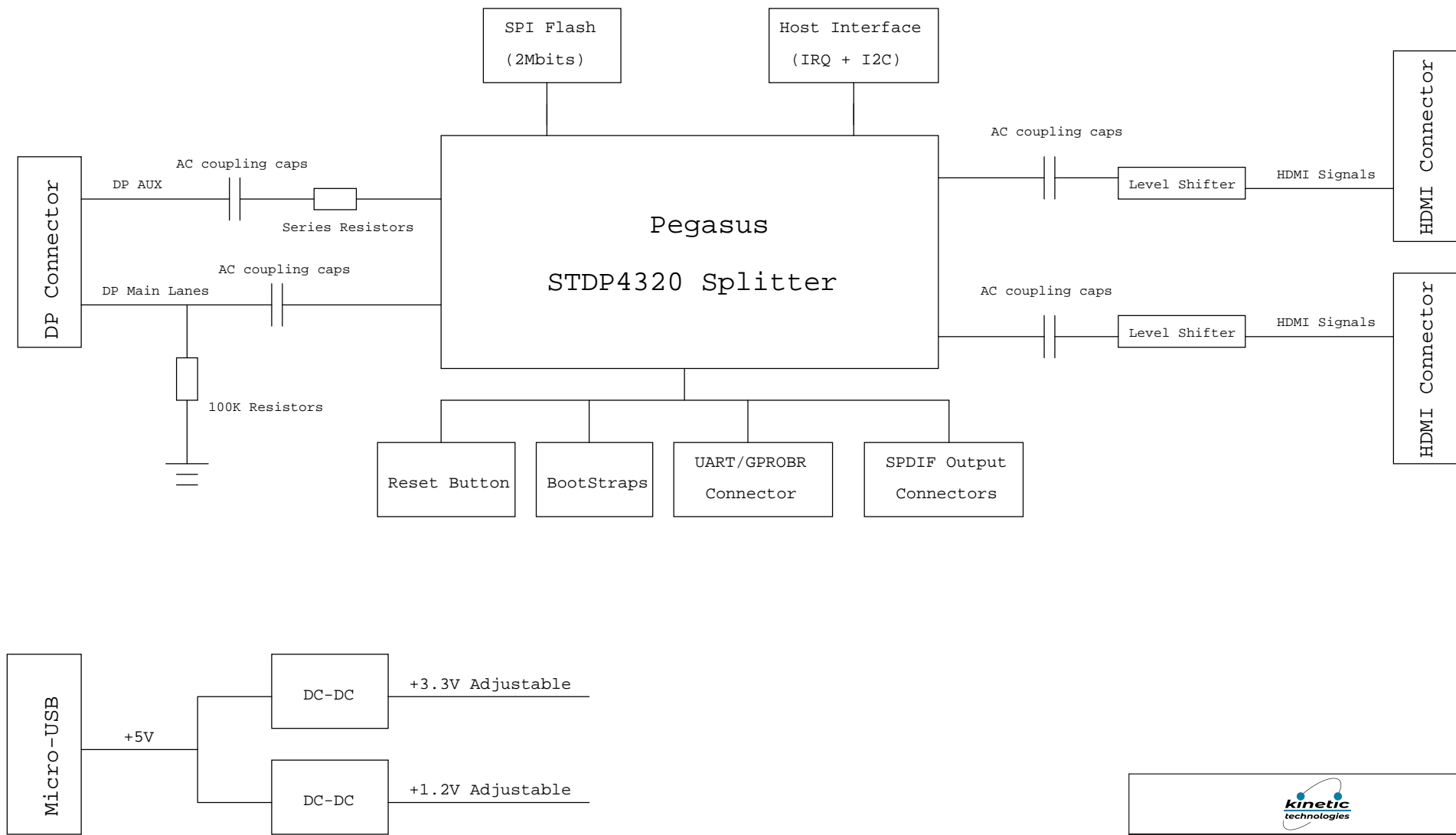
Date	Version	Comments
FEB. 7, 2013	Rev. B	Preliminary release
FEB. 18, 2013	Rev. B1	1. Swapped HDMI P&N traces from HDMI level shifter to HDMI connector. 2. Swapped HDMIx_DDC_SCL/SDA on HDMI level shifter.
FEB. 21, 2013	Rev. B2	1. Supplied +3.3V to UART/GPROBE 2. Added pull-up resistors on I2C lines between Pegasus and SN75DP139
March 14, 2020	Rev. 03a	Update to Kinetic format.

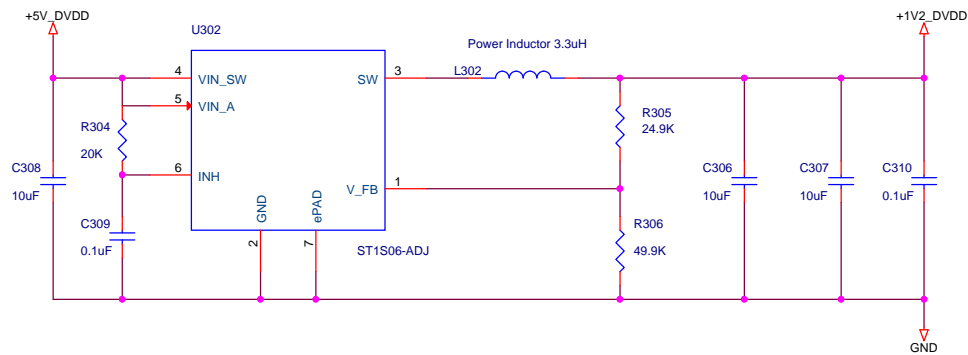
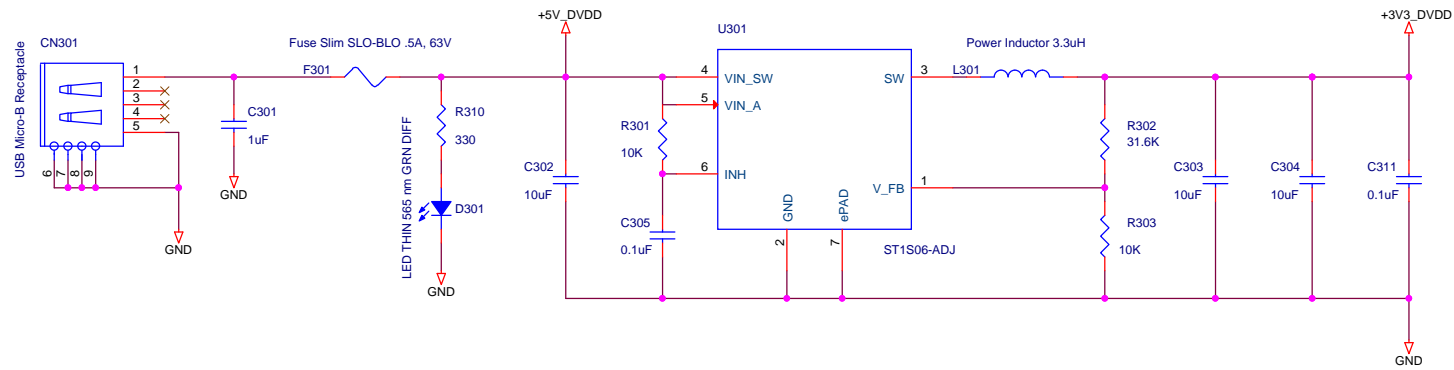
Layout Notes:

1. 50 ohms impedance on all LVTTTL traces
2. 100 ohms differential impedance on all HDMI trace pairs
3. 100 ohms differential impedance on all DP trace pairs
4. 6 Layers PCB, THK = 0.062 inches



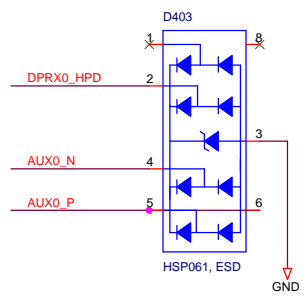
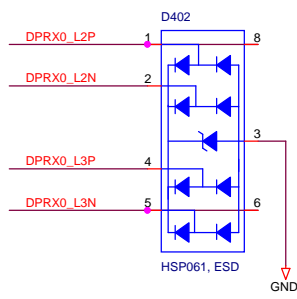
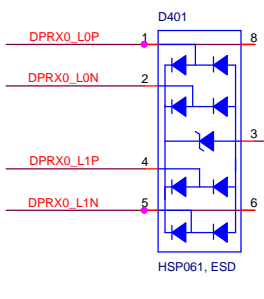
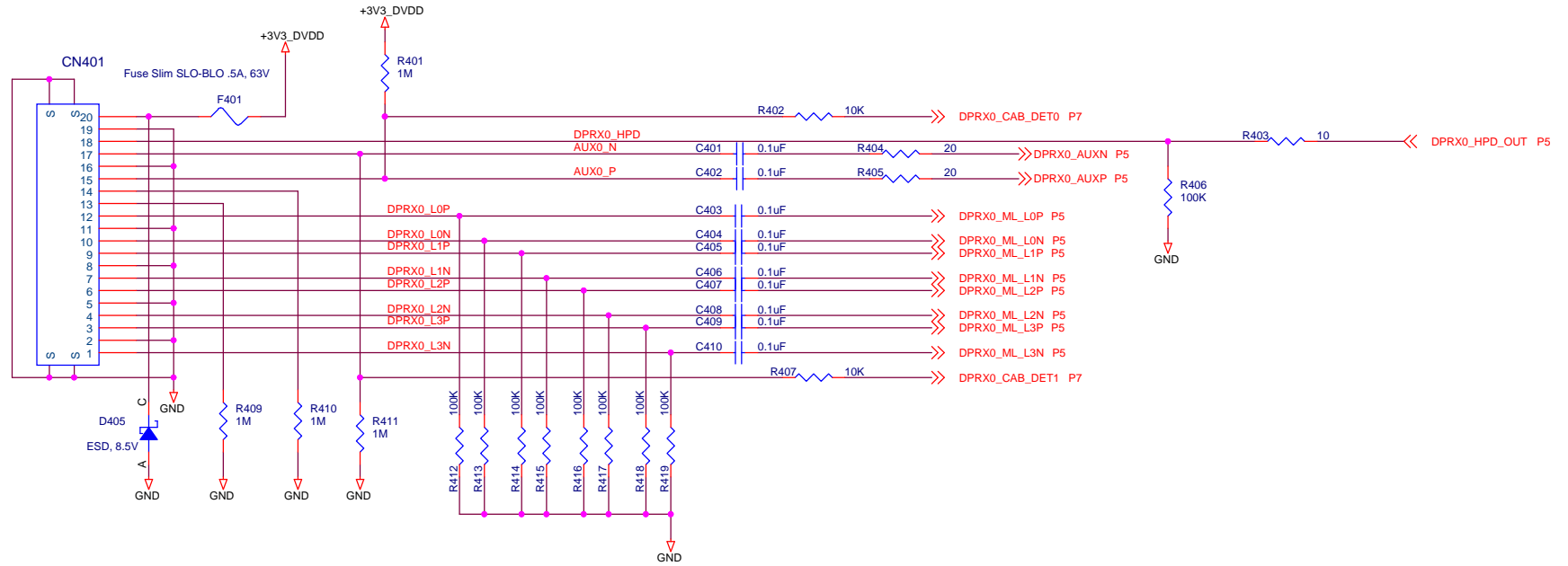
Title 01. Contents		
Size B	Document Number B0668-SCH-01	Rev 03a
Date: Saturday, March 14, 2020	Sheet 1	of 10



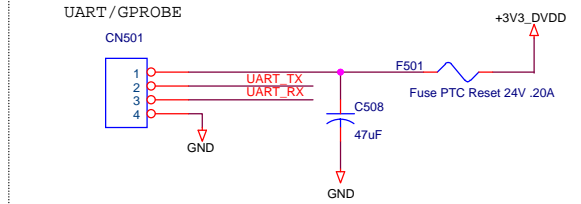
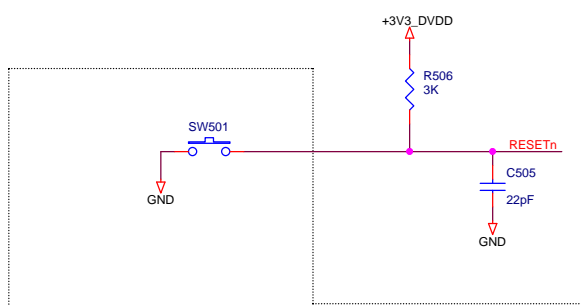
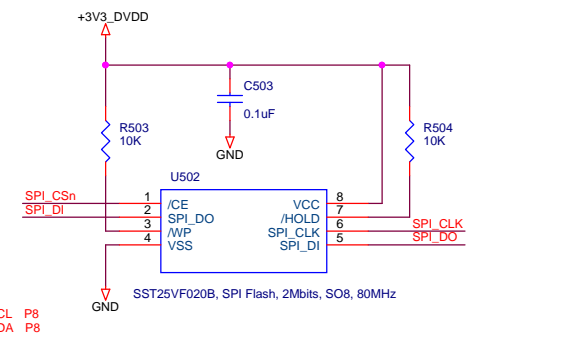
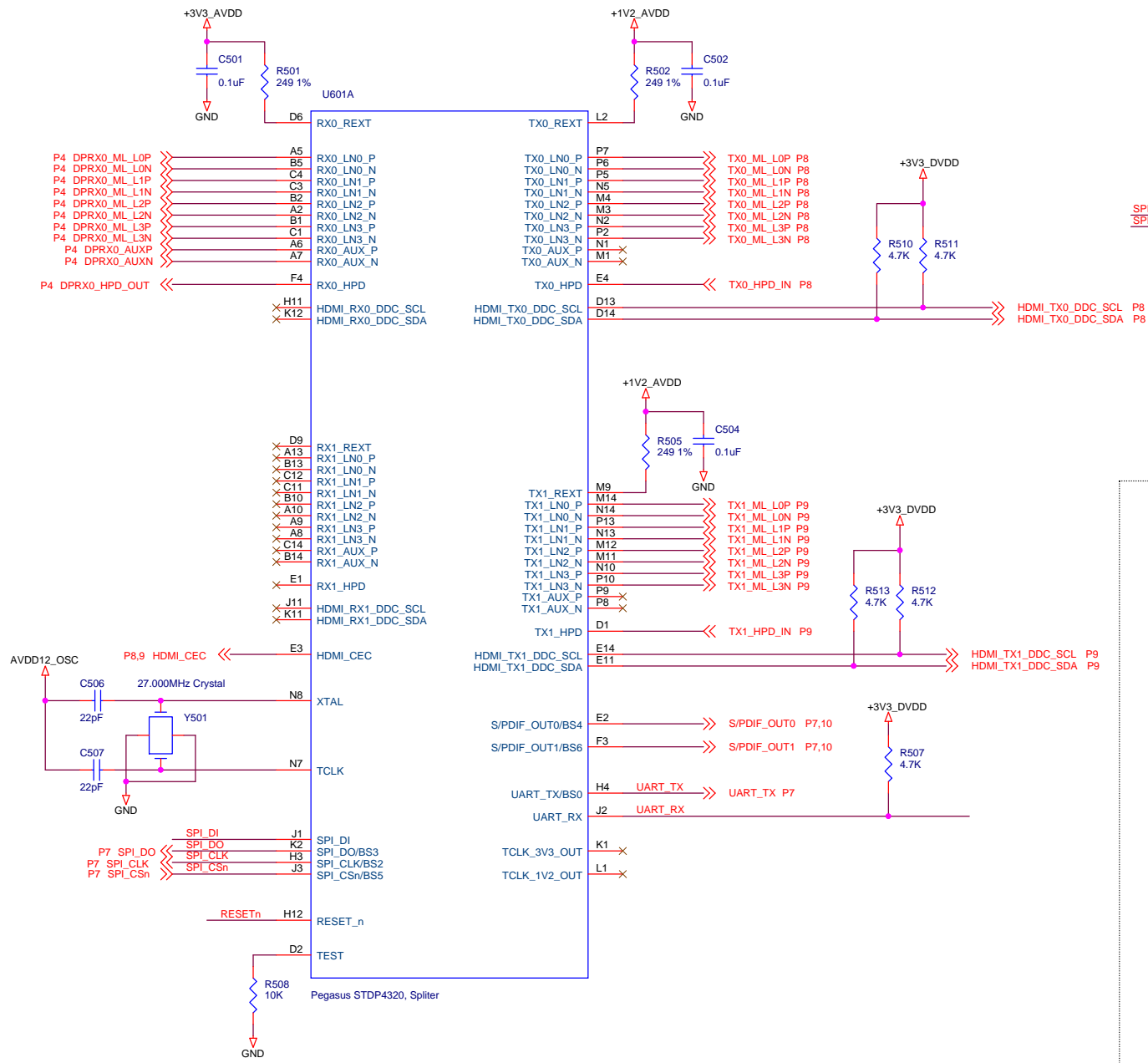


Title		
03. Power Supply		
Size	Document Number	Rev
B	B0668-SCH-01	03a
Date:	Saturday, March 14, 2020	Sheet 3 of 10

Standard DisplayPort Connector

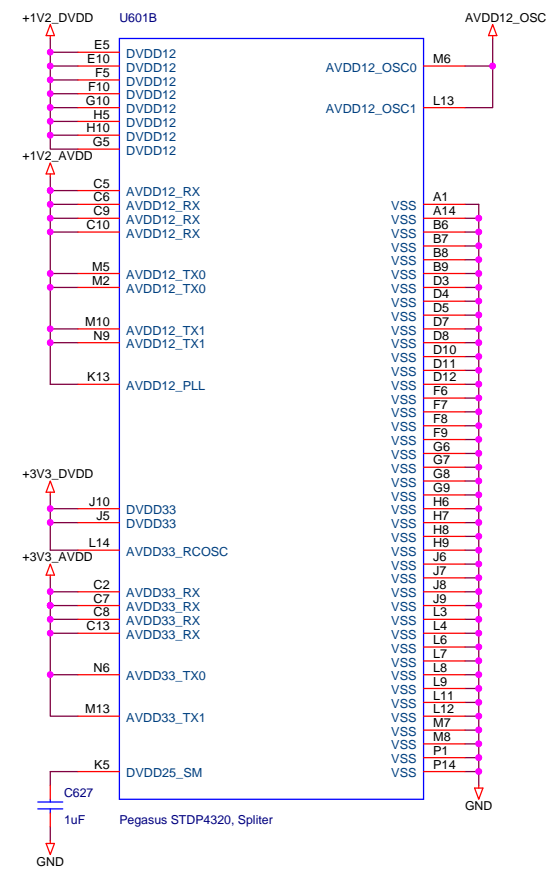
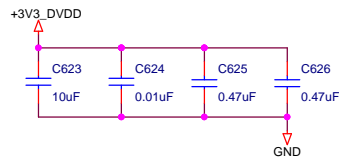
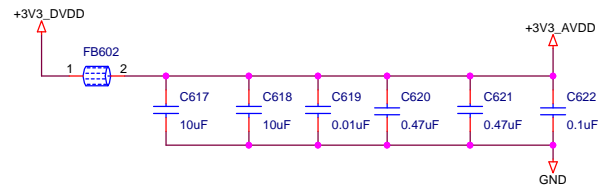
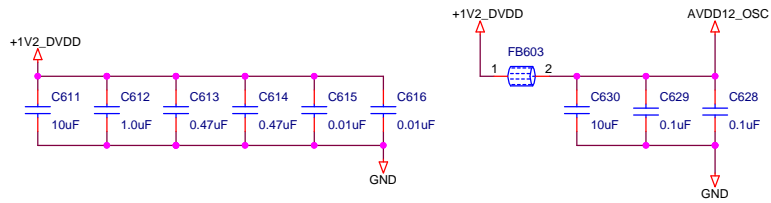
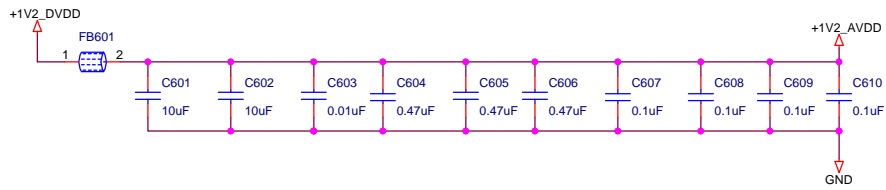


Title		
04. DPRx Inputs		
Size	Document Number	Rev
B	B0688-SCH-01	03a
Date:	Saturday, March 14, 2020	Sheet 4 of 10

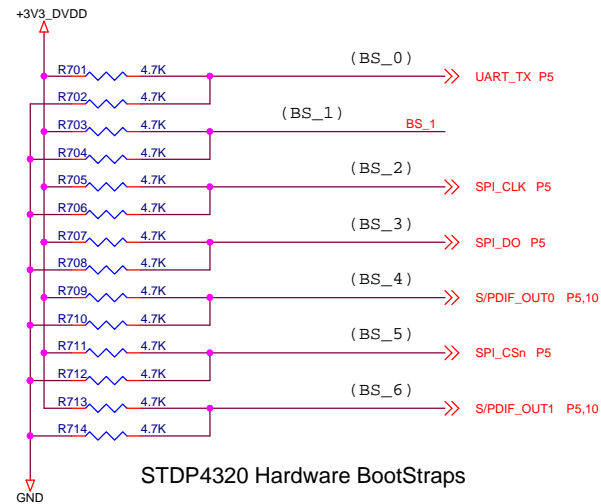
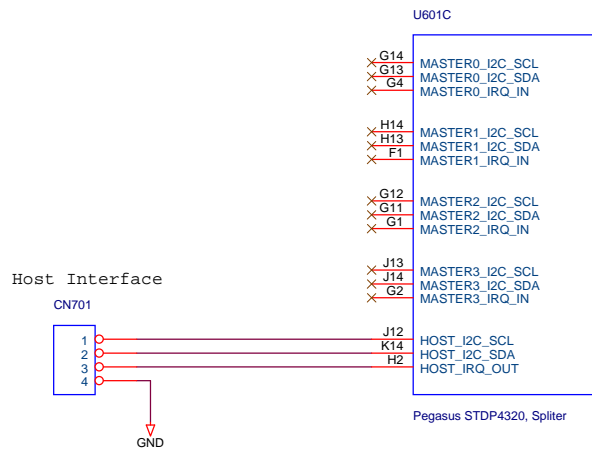


For Debugging & Programming only

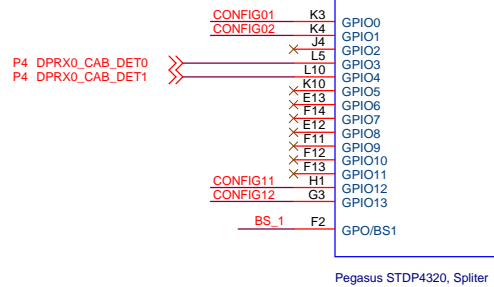
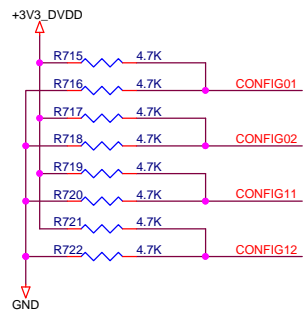




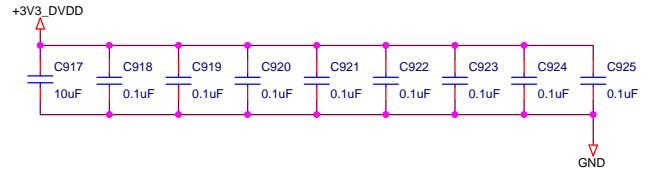
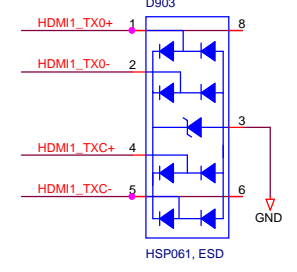
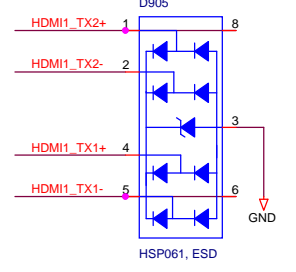
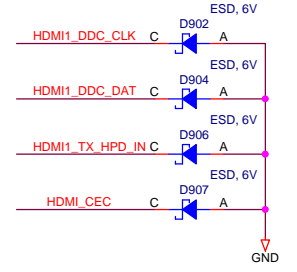
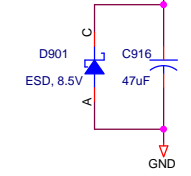
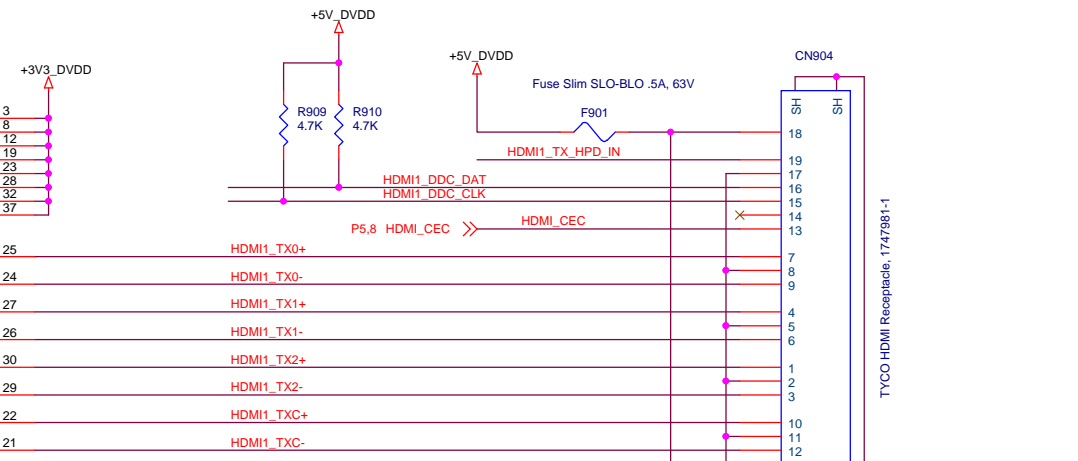
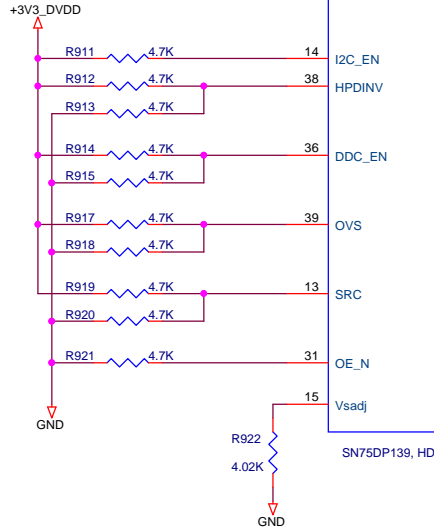
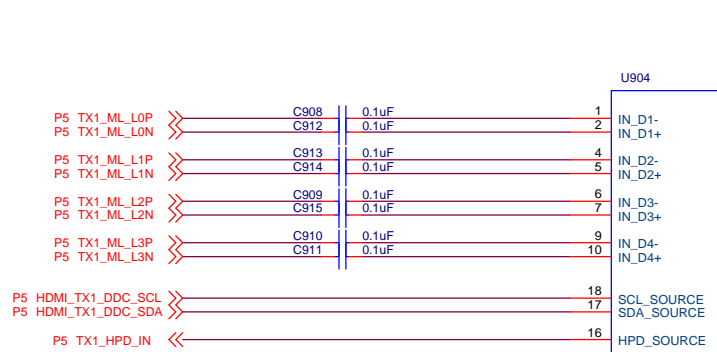
Title 06. STDP4328 Power Section		
Size B	Document Number B0668-SCH-01	Rev 03a
Date: Saturday, March 14, 2020	Sheet 6	of 10



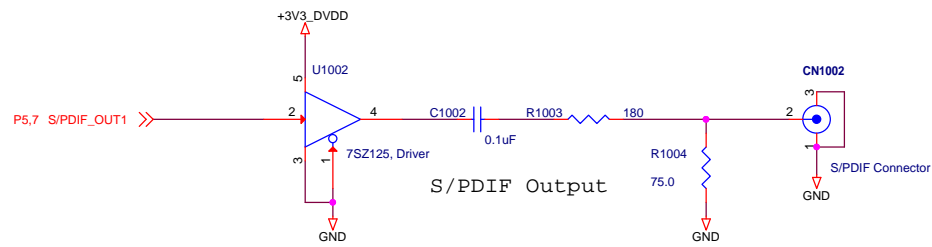
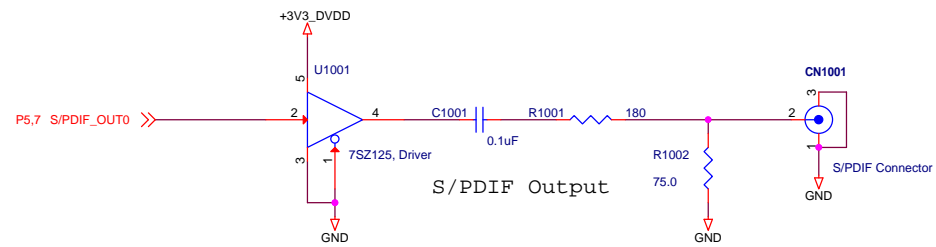
For Output Type Configuration



Title 07. STDP4328 Accessories		
Size B	Document Number B0688-SCH-01	Rev 03a
Date: Saturday, March 14, 2020	Sheet 7	of 10



Title 09. HDMI #1 Output		
Size B	Document Number B0688-SCH-01	Rev 03a
Date: Saturday, March 14, 2020	Sheet 9	of 10



Title		
10. SPDIF Output		
Size B	Document Number B0668-SCH-01	Rev 03a
Date:	Saturday, March 14, 2020	Sheet 10 of 10