

## PRODUCT CHANGE NOTIFICATION

PCN Number: 431

Date of Issue: 08/01/2017

PCN Effective Date: 08/01/2017

Last Time Buy Date: N/A

Last Time Ship Date: N/A

Type of Change: DESIGN

Title of Change: Datasheet Update for L59U Series

Reason of Change: The dimensions of the product and the recommended thickness of the panel are updated. The updated datasheet is available on the website. The last page of this Product Change Notification shows the changed dimensions.

Notice: There have been no changes to the product itself, this is only a product datasheet update, available on the website.

Sannah Vinding

Director of Product Development & Marketing: \_\_\_\_\_



VCC Contact Name: [customerservice@vcclite.com](mailto:customerservice@vcclite.com) Phone Number: (800)5225546

Form 7.2.3-1 Product Change Notification Rev 02/11/2016

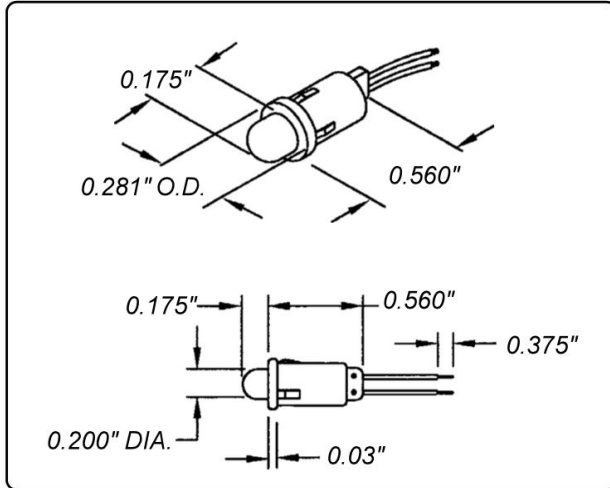
<b>AFFECTED PART NUMBER</b>		
<b>Part Number</b>	<b>Description</b>	<b>Suggested Alternative Part Number(s)</b>
<b>L59UC-G12-W</b>	PMI RND .25" LED 12V Wire Green CLR	-
<b>L59UC-G2-W</b>	PMI RND .25" LED 2V Wire Green CLR	-
<b>L59UC-G30VAC-W</b>	PMI RND .25" LED 30V Wire Green CLR	-
<b>L59UC-G6-W</b>	PMI RND .25" LED 6V Wire Green CLR	-
<b>L59UC-R12-W</b>	PMI RND .25" LED 12V Wire Red CLR	-
<b>L59UC-R2-W</b>	PMI RND .25" LED 2V Wire Red CLR	-
<b>L59UC-R24-W</b>	PMI RND .25" LED 24V Wire Red CLR	-
<b>L59UC-R6-W</b>	PMI RND .25" LED 6V Wire Red CLR	-
<b>L59UC-Y12-W</b>	PMI RND .25" LED 12V Wire YLW CLR	-
<b>L59UC-Y2-W</b>	PMI RND .25" LED 2V Wire YLW CLR	-
<b>L59UC-Y6-W</b>	PMI RND .25" LED 6V Wire YLW CLR	-
<b>L59UD-G12-W</b>	PMI RND .25" LED 12V Wire Green Diffused	-
<b>L59UD-G2-W</b>	PMI RND .25" LED 2V Wire Green Diffused	-
<b>L59UD-G24-W</b>	PMI RND .25" LED 24V Wire Green Diffused	-

VCC Contact Name: [customerservice@vcclite.com](mailto:customerservice@vcclite.com) Phone Number: (800)5225546

Form 7.2.3-1 Product Change Notification Rev 02/11/2016

<b>AFFECTED PART NUMBER</b>		
<b>Part Number</b>	<b>Description</b>	<b>Suggested Alternative Part Number(s)</b>
<b>L59UD-G6-W</b>	PMI RND .25" LED 6V Wire Green Diffused	-
<b>L59UD-R12-W</b>	PMI RND .25" LED 12V Wire Red Diffused	-
<b>L59UD-R2-W</b>	PMI RND .25" LED 2V Wire Red Diffused	-
<b>L59UD-R24-W</b>	PMI RND .25" LED 24V Wire Red CLR	-
<b>L59UD-R6-W</b>	PMI RND .25" LED 6V Wire Red CLR	-
<b>L59UD-Y12-W</b>	PMI RND .25" LED 12V Wire YLW Diff	-
<b>L59UD-Y2-W</b>	PMI RND .25" LED 2V Wire YLW Diff	-
<b>L59UD-Y24-W</b>	PMI RND .25" LED 24V Wire YLW Diff	-
<b>L59UD-Y6-W</b>	PMI RND .25" LED 6V Wire YLW Diff	-

Old Product Dimensions:



New Electro-Optical Characteristics and Ratings:

