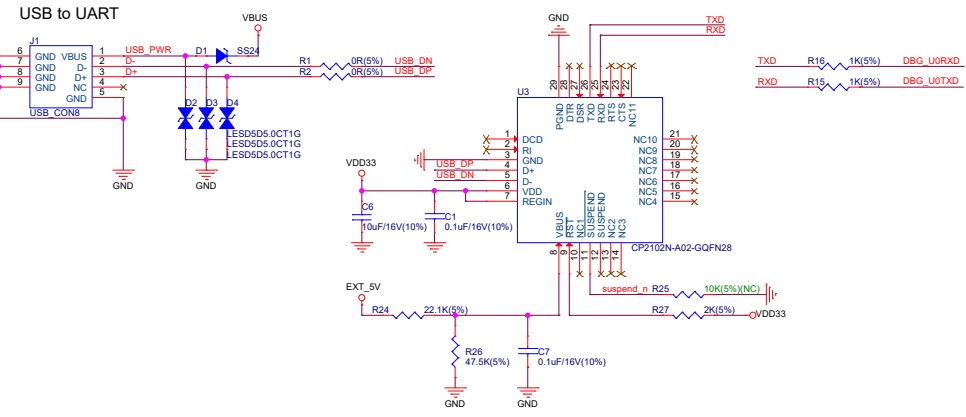
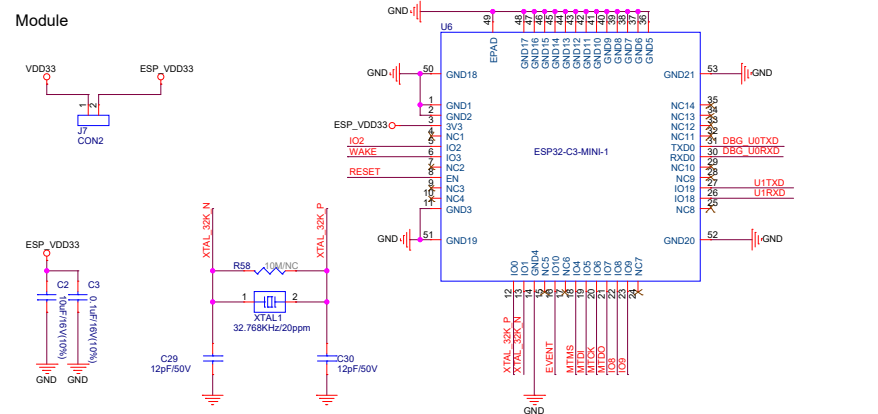


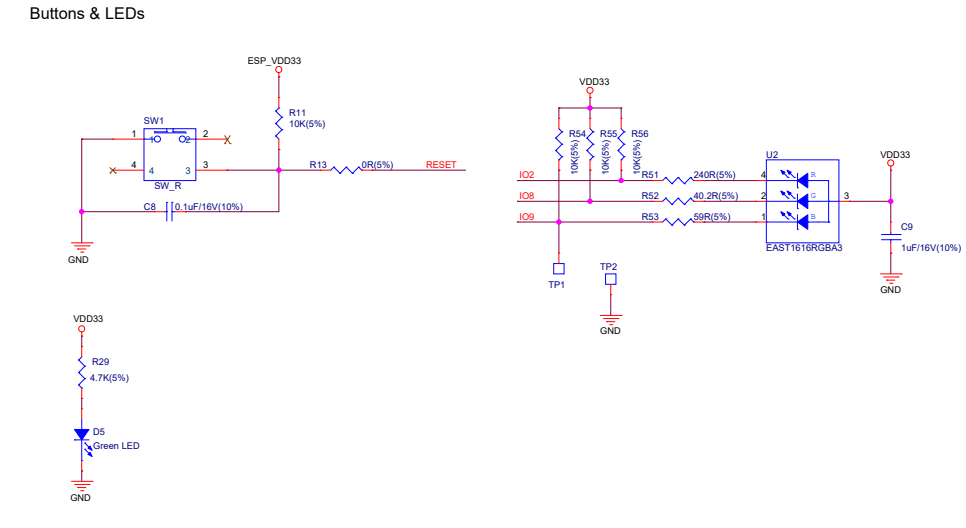
USB to UART



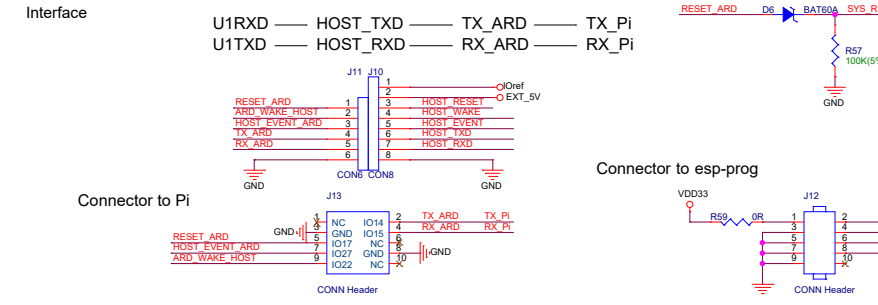
Module



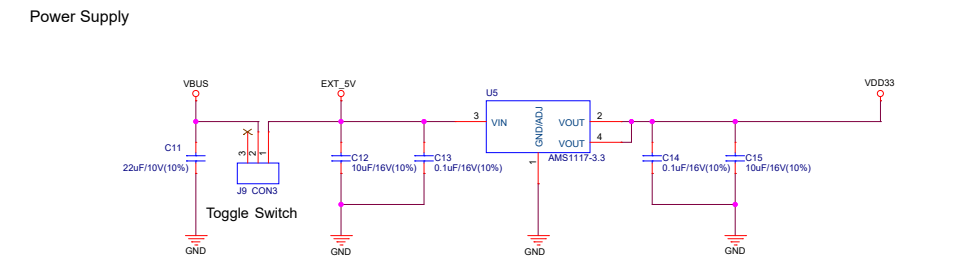
Buttons & LEDs



Interface



Power Supply



Level Shifter

