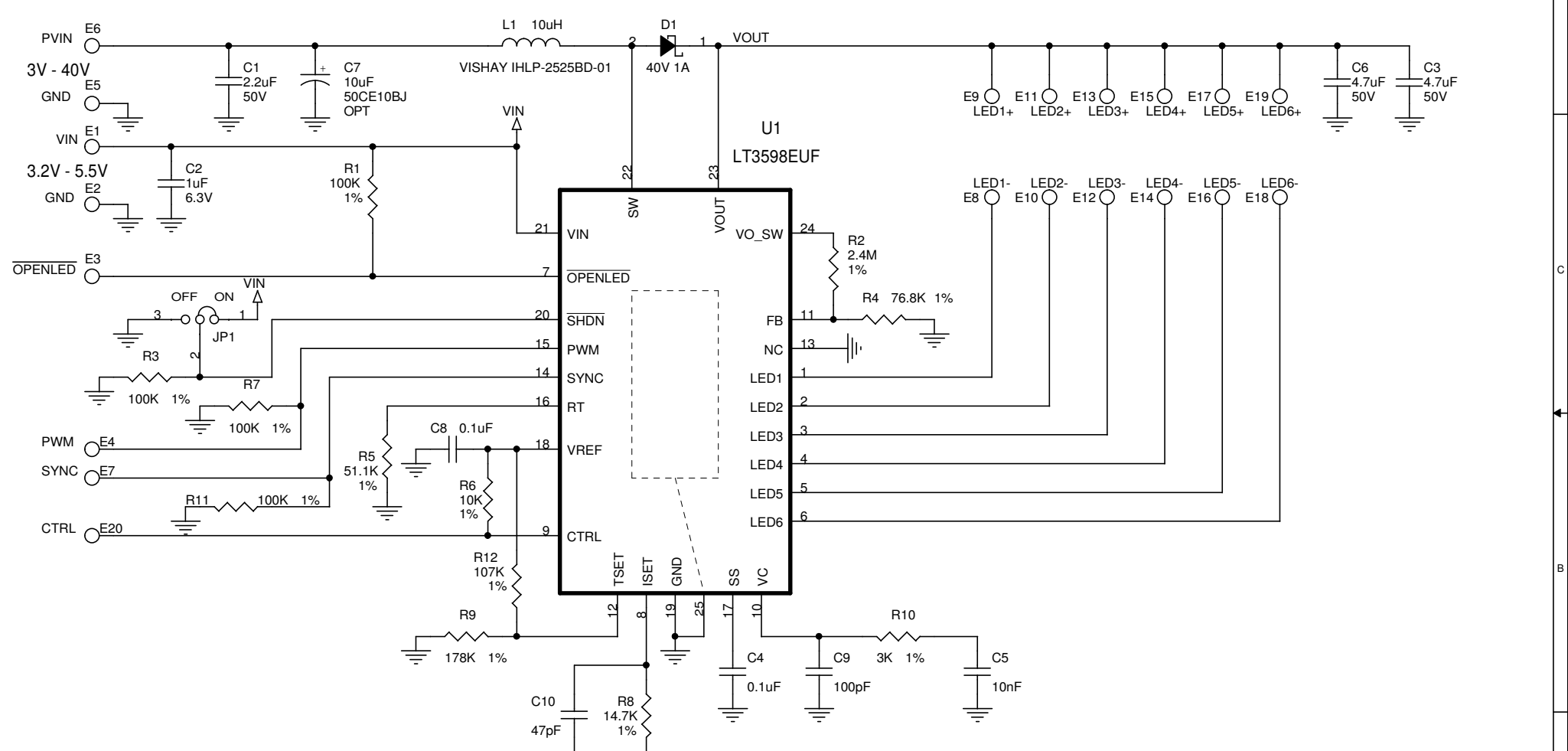


This circuit is proprietary to Linear Technology and supplied for use with Linear Technology parts.
Customer Notice: Linear Technology has made a best effort to design a circuit that meets customer-supplied specifications; however, it remains the customer's responsibility to verify proper and reliable operation in the actual application. Component substitution and printed circuit board layout may significantly affect circuit performance or reliability. Contact Linear Applications Engineering for assistance.

REVISION HISTORY				
ECO	REV	DESCRIPTION	DATE	APPROVED
	A	PROD	09/03/08	



CONTRACT NO.	
APPROVALS	DATE
DRAWN MEI	05/25/07
CHECKED	
APPROVED	
ENGINEER	
DESIGNER	
Friday, September 12, 2008	



TITLE SCH, LT3598EUF, 6-STRING 30mA LED DRIVER WITH 1.5% CURRENT MATCHING			
SIZE	CAGE CODE	DWG NO DC1285A	REV A
SCALE:	FILENAME: 1285A-3.DSN	SHEET 1	OF 1