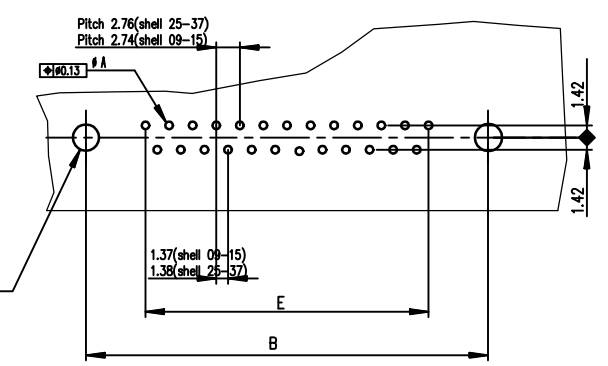
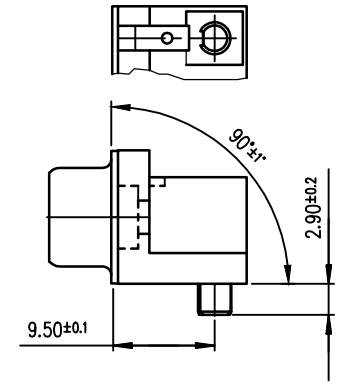


PC card drilling dimensions(after plating)  
(thickness 1.60 or 2.40±0.20mm)



SHELL	A±0.38	B±0.12	C±0.10	D <sup>+0.25</sup>	E±0.07	G	PART NUMBER	PART NUMBER
09	30.81	24.99	18.00	16.79	10.96	5.90 <sup>+0.15</sup>	D09P80C4PX00	D09P80C6PX00
15	39.14	33.32	26.32	25.12	19.18	5.90 <sup>+0.15</sup>	D15P80C4PX00	D15P80C6PX00
25	53.03	47.04	40.04	38.84	33.12	5.70 <sup>+0.25</sup>	D25P80C4PX00	D25P80C6PX00
37	69.32	63.50	56.50	55.30	49.68	5.70 <sup>+0.25</sup>	D37P80C4PX00	D37P80C6PX00
							Gold flash	0,76 » gold

Detail of plastic pin



GENERAL CHARACTERISTICS AND ROHS INFORMATIONS:  
SEE DRAWING C01-8646-0001

mat'l. code		surface		tolerance		projection		product family	
-		ISO 1302 ✓		ISO 406 ISO 1101				D-SUB	
ltr		ecn no		dr		date		title	
E		ELX-I-17859		MP		2014/06/06		MALE CONNECTOR DELTA-D US RIGHT ANGLED PRESS FIT	
								dwg no	
								C01-8646-0406	
								sheet 1 of 1	
								size	
								A3	
								type	
								Product Customer Drawing	
sheet index		revision sheet		E		1			



Copyright FCI