

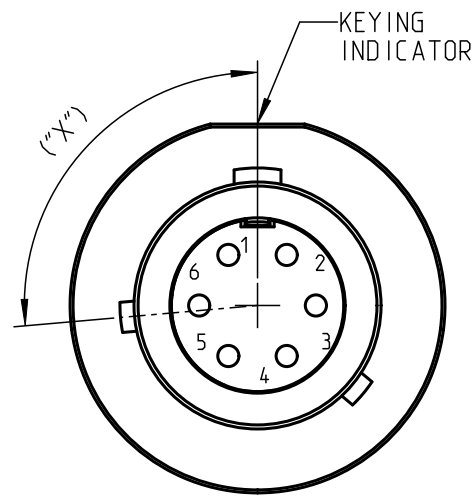
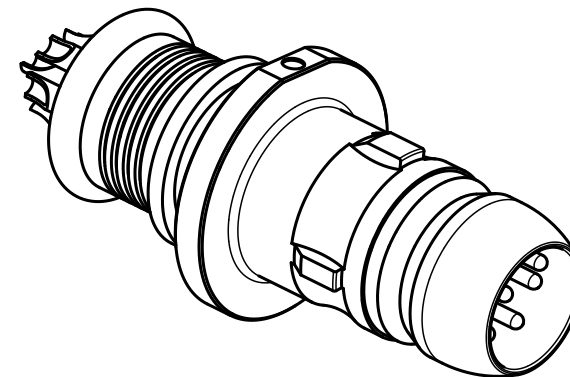
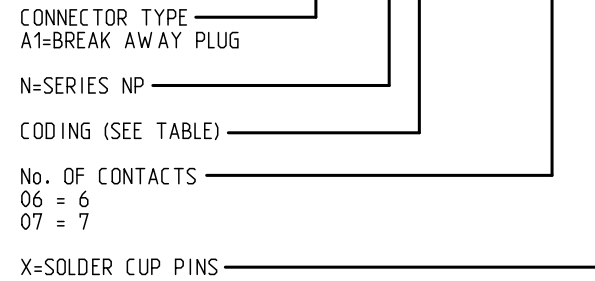
All Rights reserved, including possible patents or trademarks. Documents shall not be provided to a third party or duplicated in any form without prior written permission from ODU-USA.

The iteration describes editorial changes only, which are not specification changes. An iteration change is not required to be released/sampled.

CAD: Creo Parametric

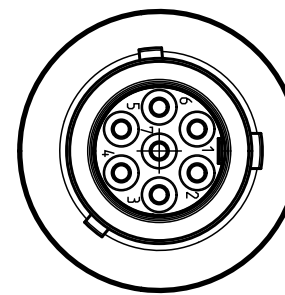
PART NUMBER CONFIGURATION

EXAMPLE: A 1 6 N 0 P - P 0 6 X 2 3 0 - 0000

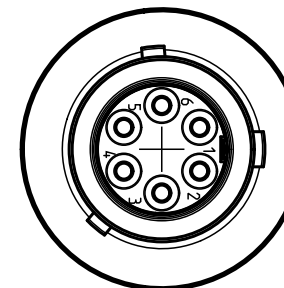


KEY CODING-X°,Y°	
0	95°, 230°
A	150°, 210°
B	75°, 210°
D	140°, 275°
E	75°, 275°
F	95°, 210°
G	165°, 195°
H	140°, 220°
J	115°, 245°
K	105°, 205°
L	155°, 255°

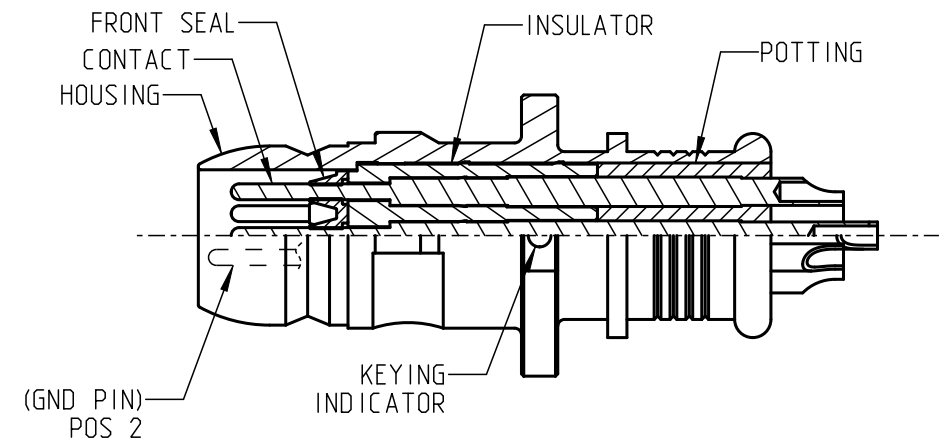
KEY CODING DETAIL
(Viewed from Front)



7 POSITION



6 POSITION



4. ODU PART NUMBER TO BE PERMANENTLY MARKED ON HOUSING.

3. ELECTRICAL INFORMATION:
- CONTACT CURRENT RATING: 5A
 - TEST VOLTAGE: 750VAC
 - NOMINAL VOLTAGE: 50VAC
 - SHELL TO SHELL RESISTANCE IN MATED CONDITION NOT TO EXCEED 50mΩ
 - OPERATING TEMPERATURE: -18°C to 71°C

2. CONTACTS - SIZE 23 (Ø0.70) PINS, SOLDER CUP, 22AWG MAX

1. MATERIALS / FINISH:
- HOUSING - ALUM ALLOY / BLACK CARBON OVER ELECTROLESS NICKEL
 - INSULATOR - PEEK
 - SEAL - FLOUROSILICONE
 - CONTACTS - COPPER ALLOY / GOLD PLATE, 1.27um Thk
 - POTTING - EPOXY

NOTES: UNLESS OTHERWISE SPECIFIED

			Description:		Material:
			PLUG, SOLDER		seeBOM
General tol.: DIN ISO 2768-mH		EC-No.:	ODU AMC NP		Scale:
Tolerancing: DIN ISO 8015			Drawing-Id.:		3:1
State:		Revision:	Z10292599		Size:
Released		-	Material-Id.:		B
Prepared	05.07.2022 pbair	ODU-Id.:		Dim.:	mm
Changed	27.08.2022 pbair	A16N_P-P__X230-0000		Sheet:	1
Released	29.08.2022 RMota	Origin:			
Date	Name				