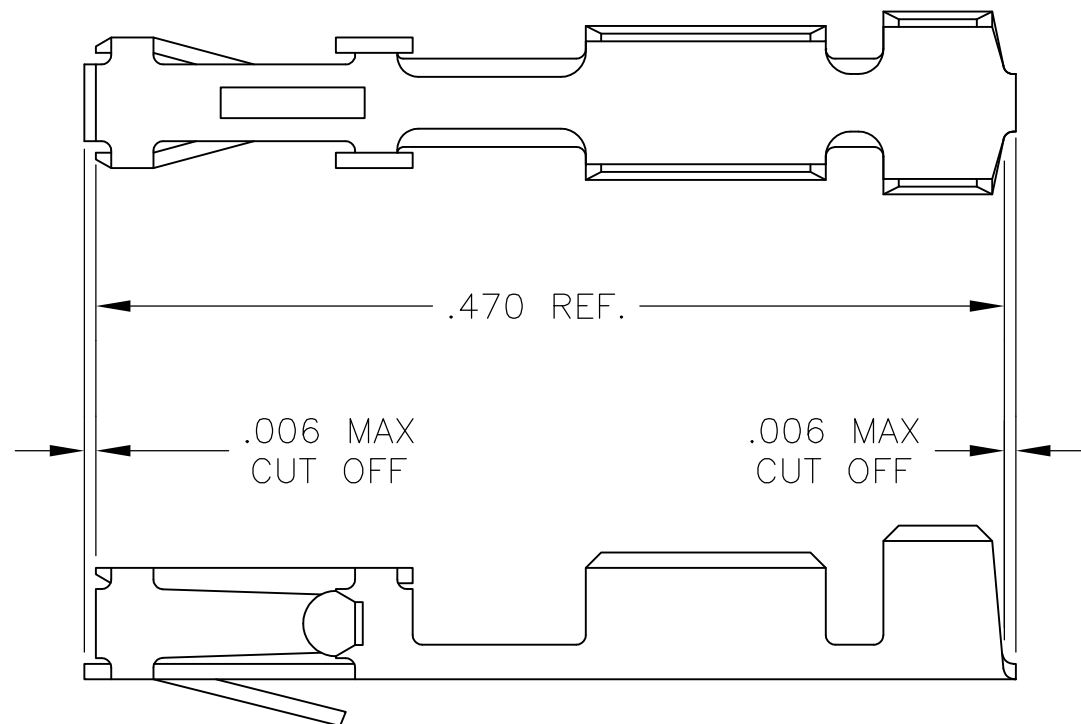


THIS DRAWING IS UNPUBLISHED. RELEASED FOR PUBLICATION
 © COPYRIGHT - By - ALL RIGHTS RESERVED.

LOC	DIST	REVISIONS			
P	LTR	DESCRIPTION	DATE	DWN	APVD
AD	00	C	REVISED PER ECO-15-004633	30MAY2015	NK JO



- 1 WIRE RANGE: #20-#24.
- 2 INSULATION RANGE: .069 MAX. DIA.
- 3 FOR SECTIONS AND ADDITIONAL DIMENSIONS SEE AMP CUSTOMER DRAWING#85969.

OBSOLETE	PART NUMBER	FINISH
	86016-6	GOLD FLASH OVER .000050 NICKEL ENTIRE CONTACT,.000050 GOLD IN CONTACT AREA
	86016-5	GOLD FLASH OVER .000050 NICKEL ENTIRE CONTACT,.000015 GOLD IN CONTACT AREA
	86016-4	.000050 GOLD OVER .000050 NICKEL
	86016-3	PREPLATED:(HALT).000078-.000158 BRIGHT TIN
	86016-2	GOLD FLASH OVER .000050 NICKEL ENTIRE CONTACT,.000030 GOLD IN CONTACT AREA
	86016-1	.000030 GOLD OVER .000050 NICKEL

THIS DRAWING IS A CONTROLLED DOCUMENT.		DWN E.C. CLAYBAUGH	TE Connectivity		
DIMENSIONS: INCHES		CHK -			
		TOLERANCES UNLESS OTHERWISE SPECIFIED:	PRODUCT SPEC -		
MATERIAL CU-NI-SI		0 PLC ± - 1 PLC ± - 2 PLC ± - 3 PLC ± - 4 PLC ± - ANGLES ± -	APPLICATION SPEC -		
FINISH -		WEIGHT -	SIZE A3	CAGE CODE 00779	DRAWING NO C-86016
CUSTOMER DRAWING			RESTRICTED TO -	SCALE 10:1	SHEET 1 OF 1
			REV C		