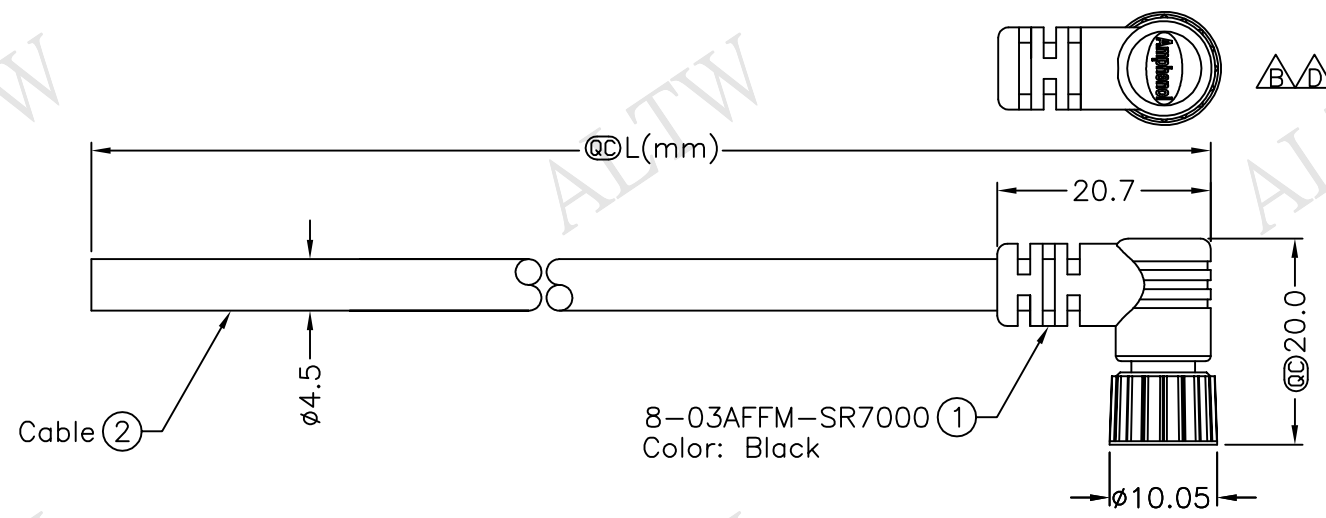


REV.	ECN NO.	DATE	SIGN	DESCRIPTION
B	LEN-780067	2007/06/06	Kenneth	Add Projection. Modify Pin-Out. Apply New Format
C	LEN-920198~201	2009/02/04	Vicky	Update the drawing
D	LEN1630144~147	2016/03/07	Vicky	Update Logo

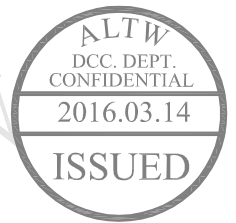
THIS DOCUMENT IS SUBJECT TO CHANGE WITHOUT NOTICE. IT IS CONFIDENTIAL AND A PROPERTY OF AMPHENOL LTW. DISCLOSURE TO THIRD PARTY HAS TO BE AUTHORIZED BY AMPHENOL LTW.



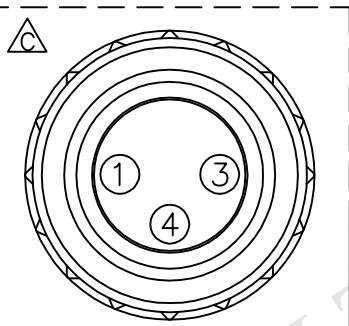
Cable ②

8-03AFFM-SR7000 ①  
Color: Black

8-03AFFM-SR7BXX  
 XX:01~99Meters  
 01:01Meter  
 02:02Meters  
 :  
 :  
 99:99Meters  
 Cable Length(L):01~99Meters



- Note:
- \* @C Important Dimension
  - \* Waterproof Rate: IP67
  - \* Connector: PU, Black
  - \* Female Pin: Copper Alloy, Gold Plated
  - \* Cable: 22AWG\*3C+Insulation, Black, PU, OD=4.5mm
  - \* Cable Length Tolerance:
    - 01M:±40mm
    - 02M~05M:±60mm
    - 06M~10M:±100mm
    - 11M~30M:±200mm
    - 31M~99M:±500mm



Pin Assignments  
Front View

4	Black	黑	△
3	Blue	藍	△
1	Brown	棕	△
Conn.	Wire Color		
Pin Out			

UNIT:mm		TITLE M8 Conn	ITEM NO	DRAWN BY Vicky	DATE 2016/03/07
TOLERANCE ±0.5 mm		Cable Screw 3P F Conn F Pin	DWG NO 8-03AFFM-SR7BXX	CHECKED BY Rita	DATE 2016/03/07
	SCALE Free	SHEET 1 OF 1	CUSTOMER ALTW	APPROVED BY Lisa	DATE 2016/03/07
	REV. D	SIZE A4	QC :Inspection Item		

**Amphenol LTW**  
安費諾亮泰企業股份有限公司